



PARA
ight

LED COMPONENT CATALOGUE




PARA LIGHT ELECTRONICS CO., LTD.



Bring good light to life

Para Light Electronics Co., Ltd. was founded in 1987, PARA LIGHT (TWSE code: 6226) is a world-leading expert of LED components, LED lighting modules and LED lighting solutions.



In the past 32 years, PARA LIGHT has been devoted to new product development, automation equipment upgrade, and enhancing the efficiency of manufacturing processing to establish our competitiveness in the global market.

Today, PARA LIGHT is a global company with 2 manufacturing plants certified with ISO 14001, ISO 9001 and TS16969, and also complies with REACH and RoHS. We have 1,200 employees based in US, Taiwan, China, and Hong Kong, and have cooperative distribution partners around the world, which allows us to provide immediate services to customers within reach.

LED Components | **Lighting Solutions** | **Gaming PC Lighting System** | **Smart Home Appliance**

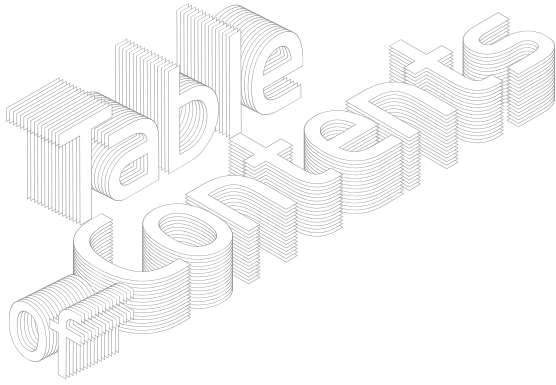
PARA LIGHT was founded in LED packaging industry providing a diverse product portfolio consisting of High Power LEDs, SMD LEDs, PLCC, LED Digital Displays, SMD Displays and LED Lamps. With 32 years superior technology in LED packaging, PARA LIGHT is now also successfully attached into LED lighting module market and gets reputation in the past few years.

In recent years, PARA LIGHT expands our market reach in Gaming PC Lighting System and Smart Home Appliance field. With PARA LIGHT in-house design capabilities, our R&D team is able to provide the total solution to assist design engineers greatly enhance their products both in quality and innovation.

For more information, please visit PARA LIGHT online:

<http://www.paralighttaiwan.com>





SMD Display

Single Digit	98
Single Digit_Ultra Thin	100
Dual Digit	102
Dual Digit_Ultra Thin	104
Three Digit	105
Three Digit_Ultra Thin	106

SMD LED & PLCC

Chip LED_Top View	2
Chip LED_Top View_Dome Lens	5
Chip LED_Top View_Dual Color	6
Chip LED_Top View_RGB	7
Chip LED_Side View	8
Chip LED_Side View_Dual Color	9
Chip LED_Side View_RGB	10
PLCC LED_Top View_White	10
PLCC LED_Side View_White	12
PLCC LED_Top View	13
PLCC LED_Top View_RGB	14
PLCC LED_Top View_IR	14

Through Hole Lamp

Tower	108
Round	109
Round_Dual Color	115
Round_RGB	118
Cylindrical	119
Oval	123
Rectangular	123
Rectangular_Dual Color	129
Rectangular_RGB	130
Tombstone	131
Taping Lamp	132

Through Hole Display & LED Light Bar

Single Digit	16
Dual Digit	32
Three Digit	38
Four Digit	44
Five Digit	59
Alpha-Numeric	61
Light Bar Array	66
Arrow	73
Dot Matrix	76
Dot Matrix_Dual Color	89
LED Display Module	94

Circuit Board Indicator

CBI_Single Level	136
CBI_Dual Level	138
CBI_Tri Level	140
CBI_Quad Level	141
CBI_Hexa Level	142
CBI_Octa Level	142

IR Emitter & Detector

IR Emitter_3mm Through Hole Type	144
IR Emitter_5mm Through Hole Type	145
IR Emitter_8mm Through Hole Type	148
IR Emitter_PLCC Type	148
Phototransistor	149
Photodiode	150

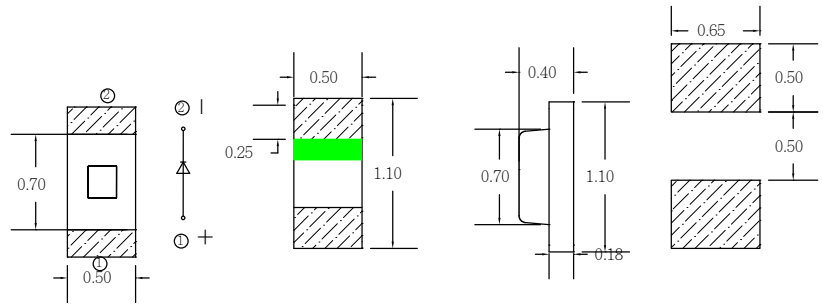


SMD & PTEC

0402

Top View

LC292 Series



1.0 x 0.5 x 0.3 mm

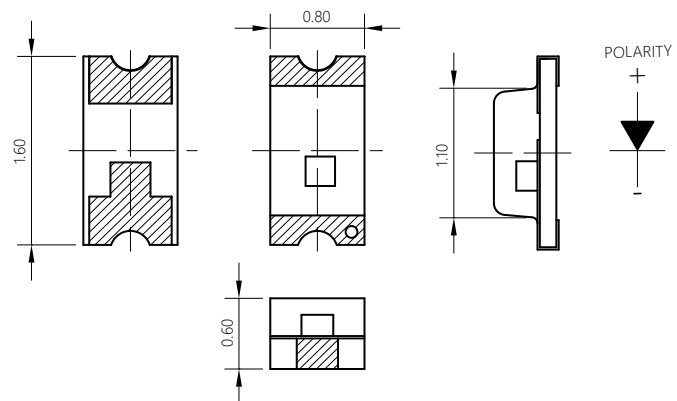
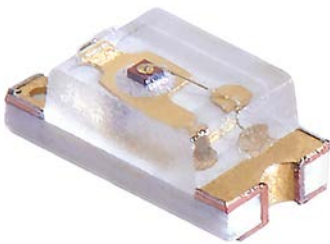
Unit : mm

Part No.	Emitting Color	Wavelength λ_d (nm)/ CIE (x,y)	Lens Type	Typ. Luminous Intensity I_v (mcd)	Viewing Angle (deg.)	Typ. Forward Voltage V_F (V)	Forward Current I_F (mA)
L-C292LBCT-5A-YY	Blue	465	Water Clear	50	120	2.8	5
L-C292LGCT-5A-YY	Green	520	Water Clear	200	120	2.8	5
L-C292JGCT-YY	Yellow Green	570	Water Clear	35	120	2	20
L-C292JYCT-YY	Yellow	590	Water Clear	120	120	2	20
L-C292JFCT-YY	Orange	605	Water Clear	120	120	2	20
L-C292QRCT-YY	Super Red	625	Water Clear	150	120	2	20
LC292WDT-5A-YY	White	(0.2519, 0.2555)	Yellow Diffused	200	120	2.8	5

0603

Top View

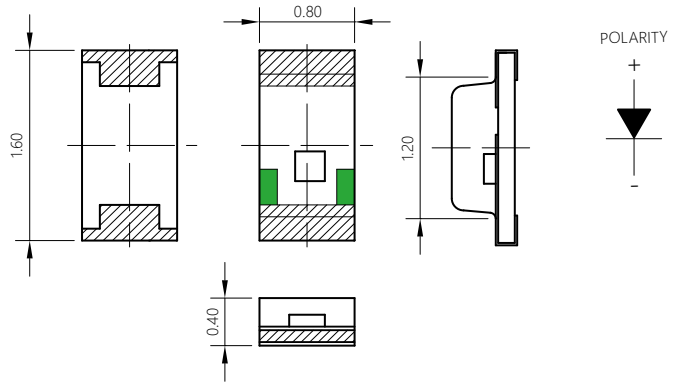
LC191 Series



1.6 x 0.8 x 0.6 mm

Unit : mm

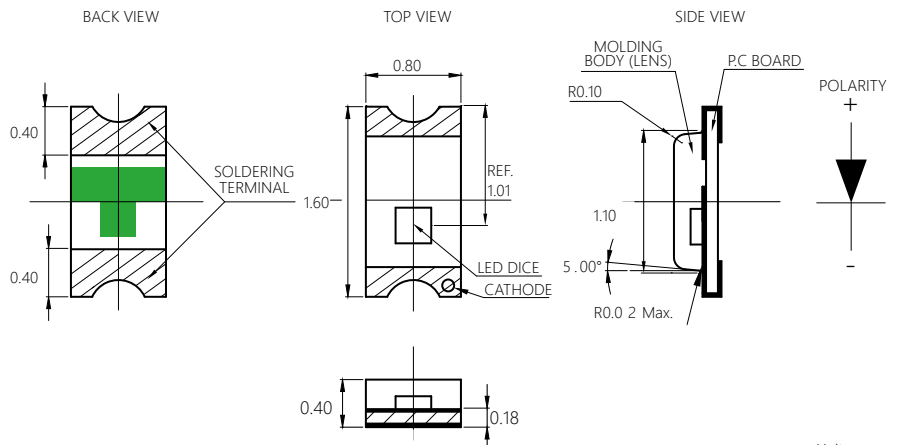
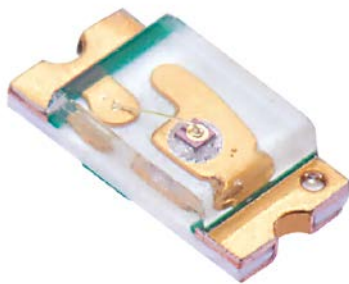
Part No.	Emitting Color	Wavelength λ_d (nm)/ CIE (x,y)	Lens Type	Typ. Luminous Intensity I_v (mcd)	Viewing Angle (deg.)	Typ. Forward Voltage V_F (V)	Forward Current I_F (mA)
L-C191LBCT	Blue	465	Water Clear	90	130	3	20
L-C191LGCT	Green	525	Water Clear	400	130	3	20
L-C191JGCT	Yellow Green	570	Water Clear	30	130	2	20
L-C191JYCT	Yellow	590	Water Clear	80	130	1.9	20
L-C191JFCT	Orange	605	Water Clear	80	130	1.95	20
L-C191JRCT	Super Red	630	Water Clear	50	130	1.9	20
L-C191WDT	White	(0.30, 0.30)	Yellow Diffused	450	130	3	20



1.6 x 0.8 x 0.4 mm

Unit : mm

Part No.	Emitting Color	Wavelength λ_d (nm)/ CIE (x.y)	Lens Type	Typ. Luminous Intensity I_v (mcd)	Viewing Angle (deg.)	Typ. Forward Voltage V_F (V)	Forward Current I_F (mA)
L-C192LBCT	Blue	465	Water Clear	90	130	3	20
L-C192LGCT	Green	525	Water Clear	400	130	3	20
L-C192JGCT	Yellow Green	570	Water Clear	30	130	2	20
L-C192JYCT	Yellow	590	Water Clear	80	130	1.9	20
L-C192JFCT	Orange	605	Water Clear	80	130	1.95	20
L-C192JRCT	Super Red	630	Water Clear	50	130	1.9	20
L-C192WDT	White	(0.30, 0.30)	Yellow Diffused	450	130	3	20



1.6 x 0.8 x 0.4 mm

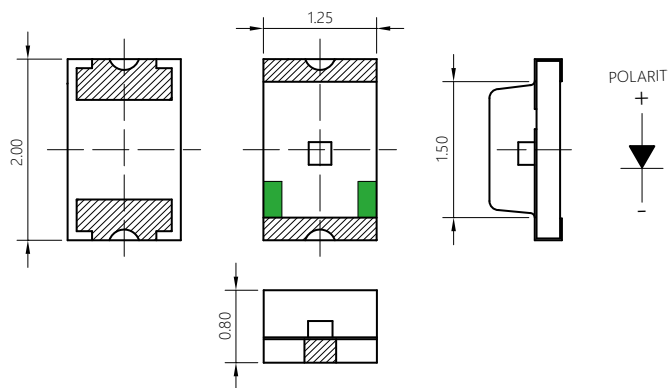
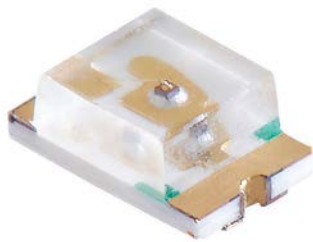
Unit : mm

Part No.	Emitting Color	Wavelength λ_d (nm)/ CIE (x.y)	Lens Type	Typ. Luminous Intensity I_v (mcd)	Viewing Angle (deg.)	Typ. Forward Voltage V_F (V)	Forward Current I_F (mA)
L-C192CBCT	Blue	465	Water Clear	90	130	3	20
L-C192CGCT	Yellow Green	570	Water Clear	30	130	2	20
L-C192CYCT	Yellow	590	Water Clear	80	130	1.9	20
L-C192CFCT	Orange	605	Water Clear	80	130	1.95	20
L-C192CRCT	Super Red	630	Water Clear	50	130	1.9	20
L-C192CWDT	White	(0.30, 0.30)	Yellow Diffused	450	130	3	20

0805

Top View

LC170 Series



2.0 x 1.25 x 0.8 mm

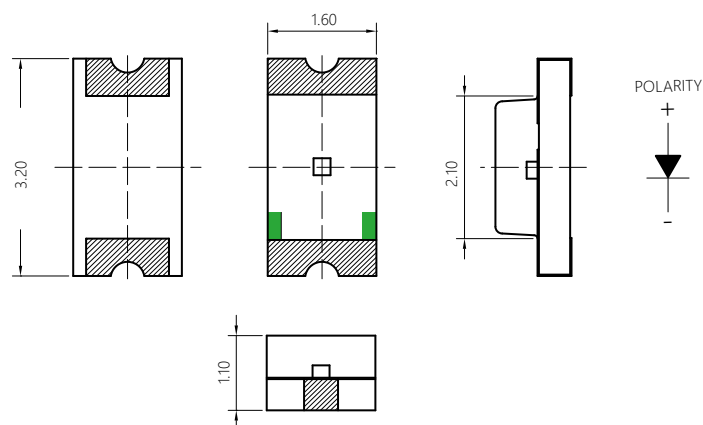
Unit : mm

Part No.	Emitting Color	Wavelength λ_d (nm)/ CIE (x,y)	Lens Type	Typ. Luminous Intensity I_v (mcd)	Viewing Angle (deg.)	Typ. Forward Voltage V_F (V)	Forward Current I_F (mA)
L-C170LBCT	Blue	465	Water Clear	100	130	3	20
L-C170LGCT	Green	525	Water Clear	500	130	3	20
L-C170JGCT	Yellow Green	570	Water Clear	40	130	2	20
L-C170JYCT	Yellow	590	Water Clear	90	130	1.9	20
L-C170JFCT	Orange	605	Water Clear	90	130	1.95	20
L-C170JRCT	Super Red	630	Water Clear	60	130	1.9	20
L-C170WDT	White	(0.30, 0.30)	Yellow Diffused	550	130	3	20

1206

Top View

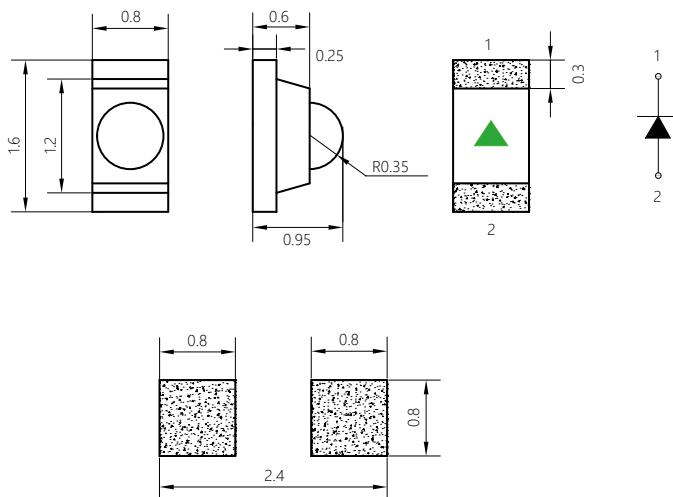
LC150 Series



3.2 x 1.6 x 1.1 mm

Unit : mm

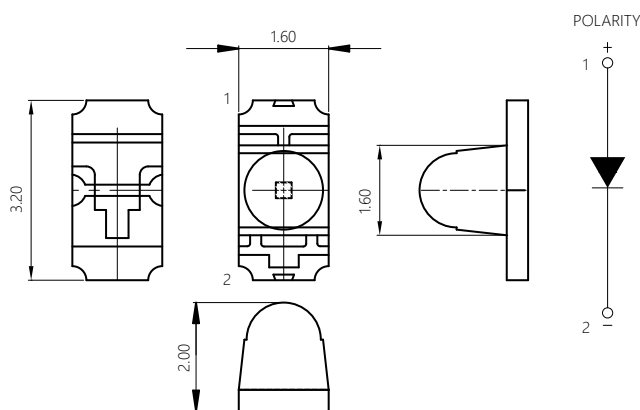
Part No.	Emitting Color	Wavelength λ_d (nm)/ CIE (x,y)	Lens Type	Typ. Luminous Intensity I_v (mcd)	Viewing Angle (deg.)	Typ. Forward Voltage V_F (V)	Forward Current I_F (mA)
L-C150LBCT	Blue	465	Water Clear	120	130	3	20
L-C150LGCT	Green	525	Water Clear	550	130	3	20
L-C150JGCT	Yellow Green	570	Water Clear	60	130	2	20
L-C150JYCT	Yellow	590	Water Clear	110	130	1.9	20
L-C150JFCT	Orange	605	Water Clear	110	130	1.95	20
L-C150JRCT	Super Red	630	Water Clear	70	130	1.9	20
L-C150WDT	White	(0.30, 0.30)	Yellow Diffused	650	130	3	20



1.6 x 0.8 x 0.95 mm

Unit : mm

Part No.	Emitting Color	Wavelength λ_d (nm)/ CIE (x.y)	Lens Type	Typ. Luminous Intensity I_v (mcd)	Viewing Angle (deg.)	Typ. Forward Voltage V_F (V)	Forward Current I_F (mA)
L-C19DLBCT	Blue	465	Water Clear	300	30	3	20
L-C19DLGCT	Green	525	Water Clear	1700	30	3	20
L-C19DJYCT	Yellow	590	Water Clear	300	30	1.9	20
L-C19DJECT	Orange Red	620	Water Clear	300	30	1.9	20



3.2 x 1.6 x 2.0 mm

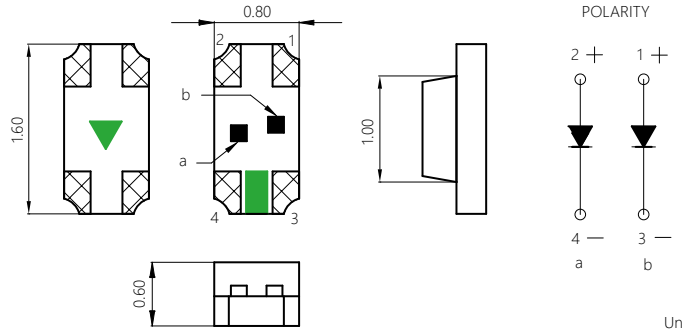
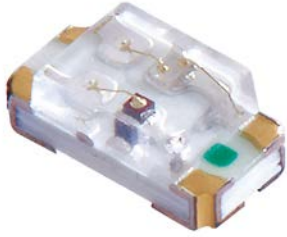
Unit : mm

Part No.	Emitting Color	Wavelength λ_d (nm)/ CIE (x.y)	Lens Type	Typ. Luminous Intensity I_v (mcd)	Viewing Angle (deg.)	Typ. Forward Voltage V_F (V)	Forward Current I_F (mA)
L-C153LBCT-HD	Blue	465	Water Clear	2500	15	3	20
L-C153LGCT-HD	Green	525	Water Clear	5700	15	3	20
L-C153KGCT-HD	Yellow Green	570	Water Clear	550	15	2	20
L-C153KYCT-HD	Yellow	590	Water Clear	2500	15	1.9	20
L-C153KRCT-HD	Super Red	630	Water Clear	2500	15	1.9	20

0603 Dual Color

Top View

LC295 Series



1.6 x 0.8 x 0.6 mm

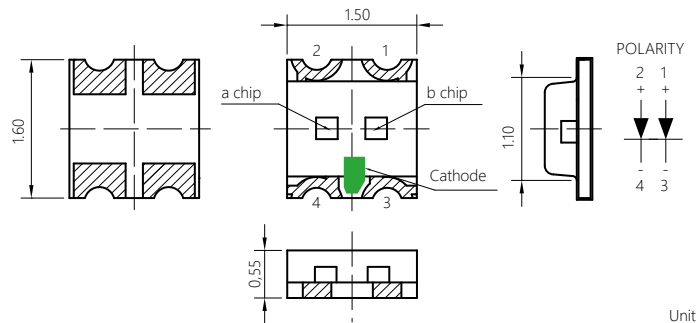
Unit : mm

Part No.	Emitting Color	Wavelength λ_d (nm)/ CIE (x,y)	Lens Type	Typ. Luminous Intensity I_v (mcd)	Viewing Angle (deg.)	Typ. Forward Voltage V_F (V)	Forward Current I_F (mA)
L-C295JRJGCT	Super Red	630	Water Clear	50	130	1.9	20
	Yellow Green	570	Water Clear	30	130	2	20
L-C295JYJGCT	Yellow	590	Water Clear	80	130	1.9	20
	Yellow Green	570	Water Clear	30	130	2	20
L-C295LGJYCT	Green	525	Water Clear	400	130	3	20
	Yellow	590	Water Clear	80	130	1.9	20
L-C295JRLBCT	Super Red	630	Water Clear	50	130	1.9	20
	Blue	465	Water Clear	90	130	3	20
L-C295JRWDT	Super Red	630	Yellow Diffused	50	130	1.9	20
	White	(0.325, 0.30)	Yellow Diffused	450	130	3	20

0605 Dual Color

Top View

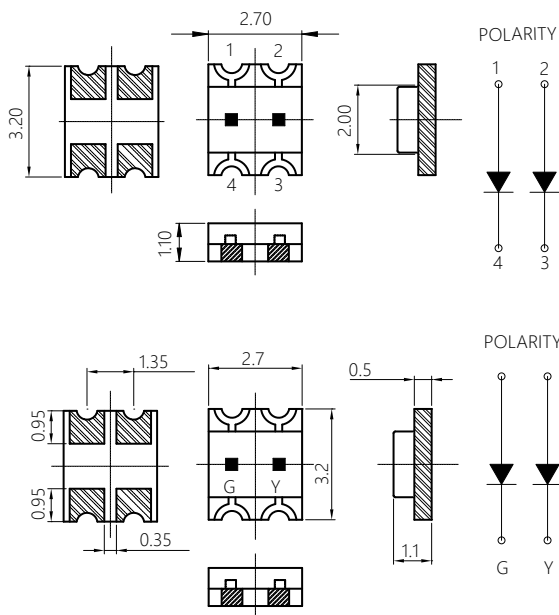
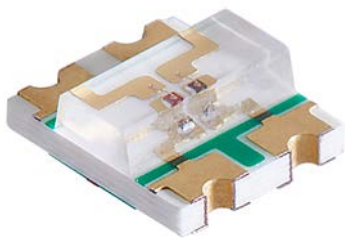
LC195 Series



1.6 x 1.5 x 0.55 mm

Unit : mm

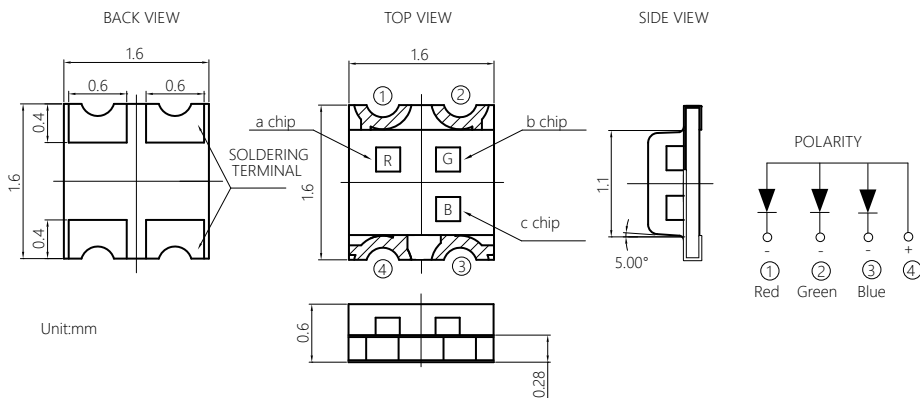
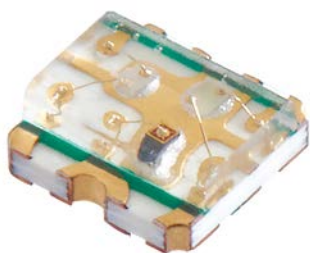
Part No.	Emitting Color	Wavelength λ_d (nm)/ CIE (x,y)	Lens Type	Typ. Luminous Intensity I_v (mcd)	Viewing Angle (deg.)	Typ. Forward Voltage V_F (V)	Forward Current I_F (mA)
L-C195JRJGCT	Super Red	630	Water Clear	50	130	1.9	20
	Yellow Green	570	Water Clear	30	130	2	20
L-C195JGJYCT	Yellow Green	572	Water Clear	30	130	2	20
	Yellow	590	Water Clear	80	130	1.9	20
L-C195JYJGCT	Yellow Green	570	Water Clear	30	130	2	20
	Yellow	590	Water Clear	80	130	1.9	20
L-C195JRLBCT	Super Red	631	Water Clear	50	130	1.9	20
	Blue	465	Water Clear	90	130	3	20
L-C195JRLGCT	Super Red	630	Water Clear	50	130	1.9	20
	Green	525	Water Clear	400	130	3	20
L-C195JRWDT	Super Red	630	Yellow Diffused	50	130	1.9	20
	Blue	(0.28, 0.25)	Yellow Diffused	450	130	3	20



3.2 x 2.7 x 1.1 mm

Unit : mm

Part No.	Emitting Color	Wavelength λ_d (nm)/ CIE (x.y)	Lens Type	Typ. Luminous Intensity I_v (mcd)	Viewing Angle (deg.)	Typ. Forward Voltage V_F (V)	Forward Current I_F (mA)
L-C155LBJECT-HD	Blue	465	Water Clear	120	130	3	20
	Orange Red	625	Water Clear	120	130	1.95	20
L-C155JRJGCT-HD	Yellow Green	570	Water Clear	60	130	2	20
	Super Red	630	Water Clear	70	130	1.9	20



1.6 x 1.6 x 0.6 mm

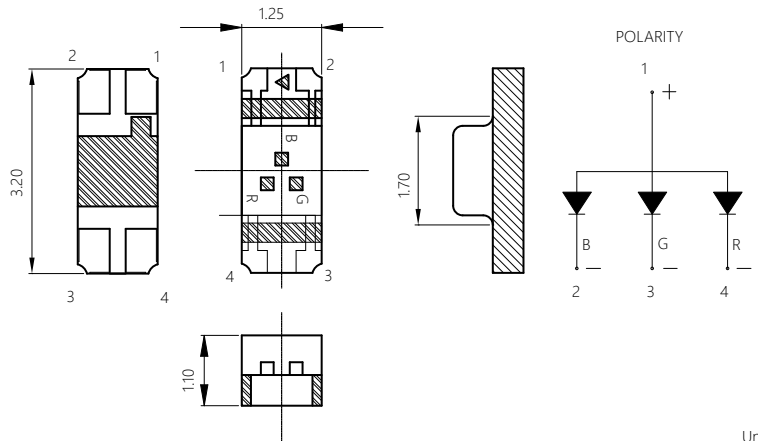
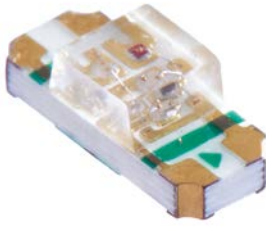
Unit : mm

Part No.	Emitting Color	Wavelength λ_d (nm)/ CIE (x.y)	Lens Type	Typ. Luminous Intensity I_v (mcd)	Viewing Angle (deg.)	Typ. Forward Voltage V_F (V)	Forward Current I_F (mA)
L-C19F1RGBCT-CA	Super Red	630	Water Clear	50	130	1.9	20
	Green	525	Water Clear	400	130	3	20
	Blue	465	Water Clear	90	130	3	20
L-C19F1RGBCT-CC	Super Red	630	Water Clear	50	130	1.9	20
	Green	525	Water Clear	400	130	3	20
	Blue	465	Water Clear	90	130	3	20

1206 RGB

Top View

LC15F Series



3.2 x 1.25 x 1.1 mm

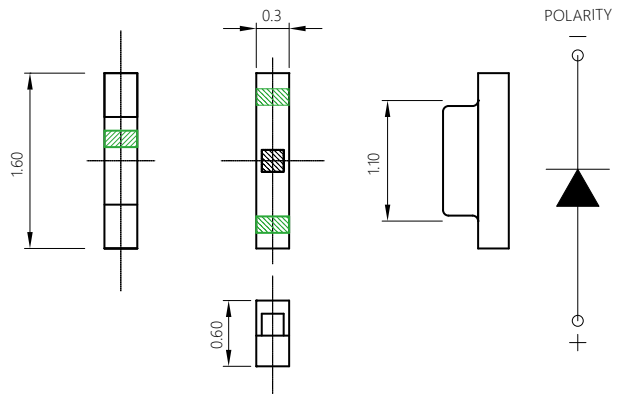
Unit : mm

Part No.	Emitting Color	Wavelength λ_d (nm)/ CIE (x.y)	Lens Type	Typ. Luminous Intensity I_v (mcd)	Viewing Angle (deg.)	Typ. Forward Voltage V_F (V)	Forward Current I_F (mA)
L-C15F1RGBCT-HD	Super Red	630	Water Clear	70	130	1.9	20
	Green	525	Water Clear	550	130	3	20
	Blue	465	Water Clear	120	130	3	20

0603

Side View

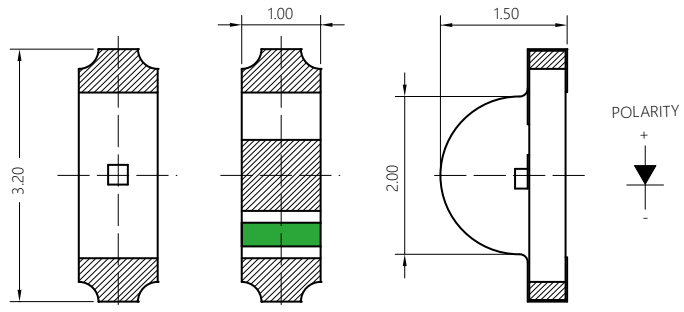
LS193 Series



1.6 X 0.3 x 0.6 mm

Unit : mm

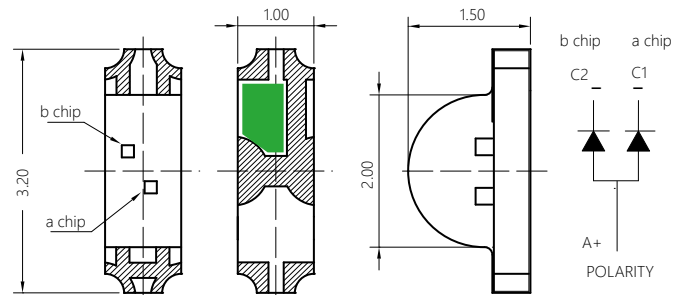
Part No.	Emitting Color	Wavelength λ_d (nm)/ CIE (x.y)	Lens Type	Typ. Luminous Intensity I_v (mcd)	Viewing Angle (deg.)	Typ. Forward Voltage V_F (V)	Forward Current I_F (mA)
L-S193TBCT-AM	Blue	470	Water Clear	35	130	2.8	5
L-S193LGCT-5A-AM	Green	525	Water Clear	100	130	2.8	5
L-S193JGCT-5A-AM	Yellow Green	570	Water Clear	15	130	1.8	5
L-S193JYCT-5A-AM	Yellow	590	Water Clear	30	130	1.7	5
L-S193JFCT-5A-AM	Orange	605	Water Clear	30	130	1.75	5
L-S193JRCT-5A-AM	Super Red	630	Water Clear	20	130	1.7	5
L-S193WDT-5A-AM	White	(0.285, 0.265)	Yellow Diffused	150	130	2.8	5



3.2 x 1.0 x 1.5 mm

Unit : mm

Part No.	Emitting Color	Wavelength λ_d (nm)/ CIE (x.y)	Lens Type	Typ. Luminous Intensity I_v (mcd)	Viewing Angle (deg.)	Typ. Forward Voltage V_F (V)	Forward Current I_F (mA)
L-S110LBCT	Blue	465	Water Clear	130	130	3	20
L-S110LGCT	Green	525	Water Clear	650	130	3	20
L-S110JGCT	Yellow Green	570	Water Clear	70	130	2	20
L-S110JYCT	Yellow	590	Water Clear	120	130	1.9	20
L-S110JFCT	Orange	605	Water Clear	120	130	1.95	20
L-S110JRCT	Super Red	630	Water Clear	80	130	1.9	20
L-S110WDT	White	(0.3, 0.3)	Yellow Diffused	750	130	3	2



3.2 x 1.0 x 1.5 mm

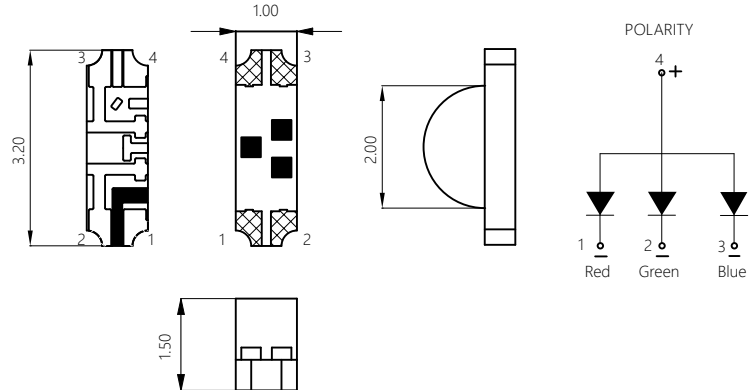
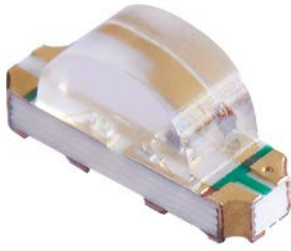
Unit : mm

Part No.	Emitting Color	Wavelength λ_d (nm)/ CIE (x.y)	Lens Type	Typ. Luminous Intensity I_v (mcd)	Viewing Angle (deg.)	Typ. Forward Voltage V_F (V)	Forward Current I_F (mA)
L-S115JRJGCT	Super Red	630	Water Clear	80	130	1.9	20
	Yellow Green	570	Water Clear	70	130	2	20
L-S115JFLGCT	Orange	605	Water Clear	120	130	1.95	20
	Green	525	Water Clear	650	130	3	20
L-S115JGJFCT	Orange	605	Water Clear	120	130	1.95	20
	Yellow Green	570	Water Clear	70	130	2	20
L-S115LBJFCT	Orange	605	Water Clear	120	130	1.95	20
	Blue	465	Water Clear	130	130	3	20
L-S115JFWDT	Orange	605	Yellow Diffused	120	130	1.95	20
	White	(0.3, 0.3)	Yellow Diffused	750	130	3	20

1204 RGB

Side View

LS11F Series



3.2 x 1.0 x 1.5 mm

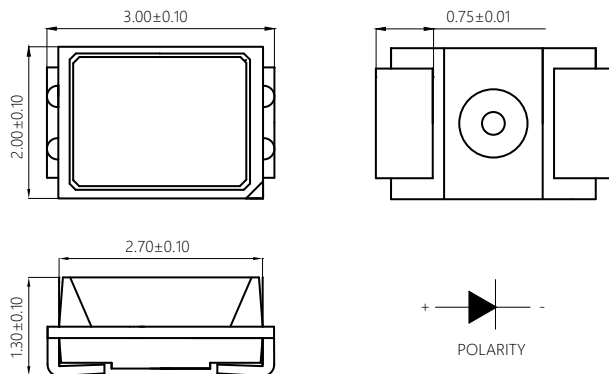
Unit : mm

Part No.	Emitting Color	Wavelength λ_d (nm)/ CIE (x,y)	Lens Type	Typ. Luminous Intensity I_v (mcd)	Viewing Angle (deg.)	Typ. Forward Voltage V_F (V)	Forward Current I_F (mA)
L-S11F1RGBCT-CC	Super Red	630	Water Clear	80	130	1.9	20
	Green	525	Water Clear	650	130	3	20
	Blue	465	Water Clear	120	130	3	20
L-S11F1RGBCT-CA	Super Red	630	Water Clear	80	130	1.9	20
	Green	525	Water Clear	650	130	3	20
	Blue	465	Water Clear	120	130	3	20

3020 PLCC White

Top View

LT650WDT Series



3.0 x 2.0 x 1.3 mm

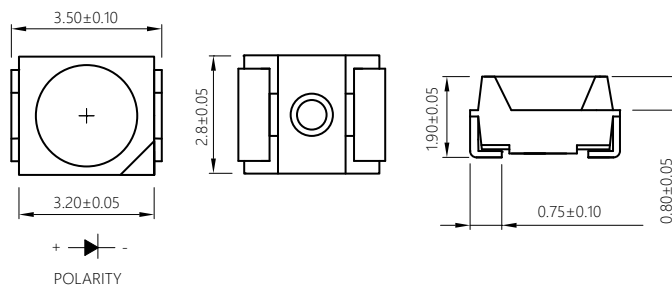
Unit : mm

Part No.	Emitting Color	CCT(K)	Lens Type	Typ. Luminous Intensity I_v (mcd)	Viewing Angle (deg.)	Forward Voltage Typ. V_F (V)	Forward Current I_F (mA)
LT650WDT	White	7000-9000	Light Yellow Diffused	2000	120	3	20
LT650WDT-NW1	White	4000-5000	Light Yellow Diffused	2200	120	3	20
LT650WDT-WW2	White	2500-3500	Light Yellow Diffused	1800	120	3	20

3528 PLCC White

Top View

LT670WDT Series



3.5 × 2.8 × 1.9 mm

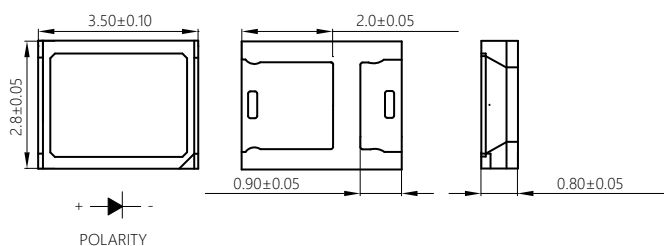
Unit : mm

Part No.	Emitting Color	CCT(K)	Lens Type	Typ. Luminous Intensity I _v (mcd)	Viewing Angle (deg.)	Forward Voltage Typ. V _F (V)	Forward Current I _F (mA)
L-T670WDT-CW1-Q	White	6000-7500	Light Yellow Diffused	2350	120	3	3.5
L-T670WDT-NW1-Q	White	4000-5000	Light Yellow Diffused	2400	120	3	3.5
L-T670WDT-WW1-Q	White	2500-3500	Light Yellow Diffused	2200	120	3	3.5

2835 PLCC White

Top View

LT2835WDT Series



2.8 × 3.5 × 0.8 mm

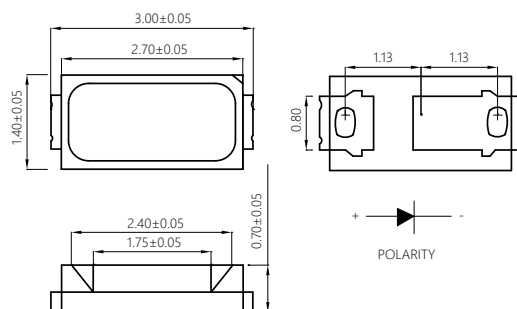
Unit : mm

Part No.	Emitting Color	CCT(K)	Lens Type	Typ. Luminous Intensity I _v (mcd)	Viewing Angle (deg.)	Forward Voltage Typ. V _F (V)	Forward Current I _F (mA)
L-T2835WDT-CW1-Q	White	5500-7000	Light Yellow Diffused	6500	120	3	60
L-T2835WDT-NW1-Q	White	3800-4600	Light Yellow Diffused	6800	120	3	60
L-T2835WDT-WW1-Q	White	2850-3250	Light Yellow Diffused	6200	120	3	60

3014 PLCC White

Top View

LT3014WDT Series



3.0 × 1.4 × 0.7 mm

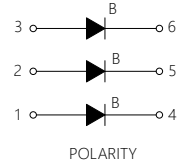
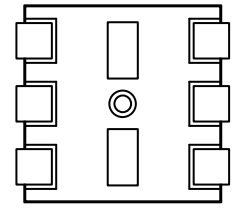
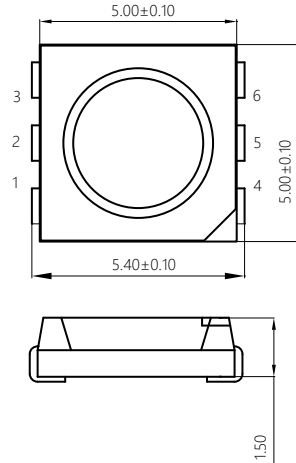
Unit : mm

Part No.	Emitting Color	CCT(K)	Lens Type	Typ. Luminous Intensity I _v (mcd)	Viewing Angle (deg.)	Forward Voltage Typ. V _F (V)	Forward Current I _F (mA)
L-T3014CWDT	White	5500-6500	Light Yellow Diffused	3300	120	3	20
L-T3014NWDT	White	4000-5000	Light Yellow Diffused	3400	120	3	20
L-T3014WWDT	White	2850-3250	Light Yellow Diffused	3200	120	3	20

5050 PLCC White

Top View

LT690WDT Series



5.4 × 5.0 × 1.5 mm

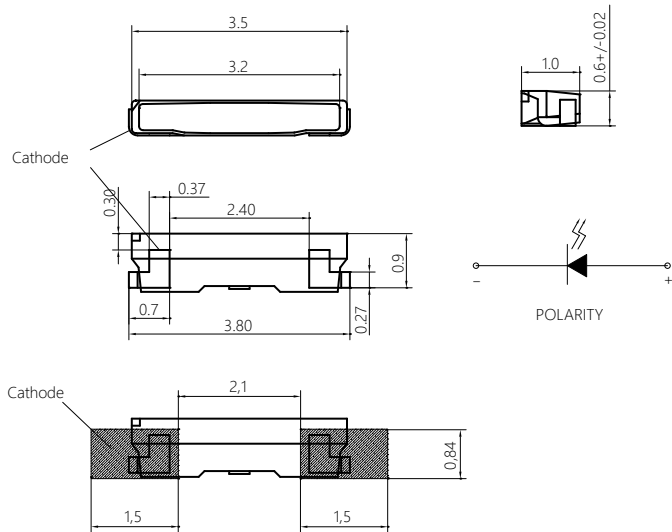
Unit : mm

Part No.	Emitting Color	CCT(K)	Lens Type	Typ. Luminous Intensity I_v (mcd)	Viewing Angle (deg.)	Forward Voltage Typ. V_F (V)	Forward Current I_F (mA)
L-T690WDT-CW	White	6000-7500	Light Yellow Diffused	1600	120	3	20
L-T690WDT-NW	White	4000-4500	Light Yellow Diffused	1800	120	3	20

PLCC White

Side View

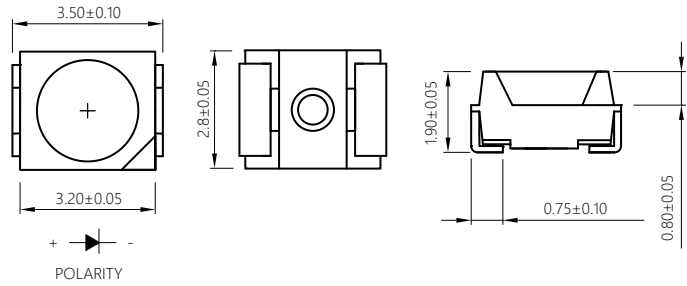
LS020WDT Series



3.5 × 1.0 × 0.9 mm

Unit : mm

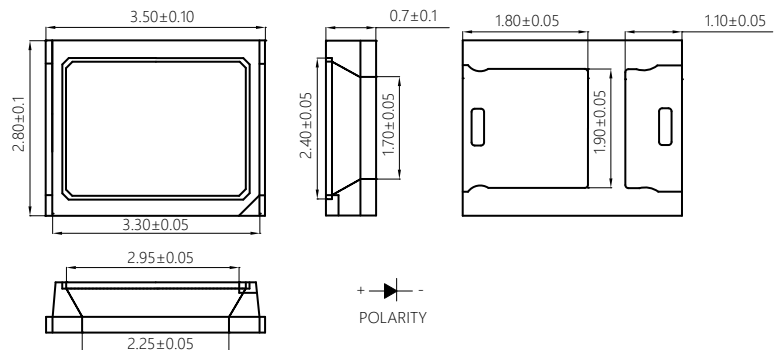
Part No.	Emitting Color	CCT(K)	Lens Type	Typ. Luminous Intensity I_v (mcd)	Viewing Angle (deg.)	Forward Voltage Typ. V_F (V)	Forward Current I_F (mA)
L-S020WDT	White	6500-7500	Light Yellow Diffused	3000	120	3	20
L-S020WWDT	White	2000-3000	Light Yellow Diffused	2500	120	3	20



3.5 × 2.8 × 1.9 mm

Unit : mm

Part No.	Emitting Color	Wavelength λ_d (nm)	Lens Type	Typ. Luminous Intensity I_v (mcd)	Viewing Angle (deg.)	Forward Voltage Typ. V_F (V)	Forward Current I_F (mA)
L-T670LBCT	Blue	465	Water Clear	300	120	3	20
L-T670LGCT	Green	525	Water Clear	1000	120	3	20
L-T670KGCT	Yellow Green	570	Water Clear	100	120	2	20
L-T670TYCT	Yellow	587	Water Clear	700	120	1.9	20
L-T670KFCT	Orange	605	Water Clear	200	120	1.9	20
L-T670KRCT	Super Red	630	Water Clear	100	120	1.9	20



2.8 × 3.5 × 0.7 mm

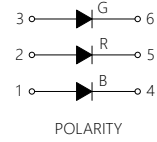
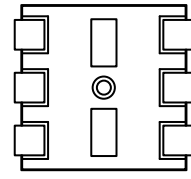
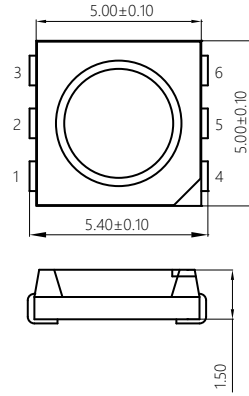
Unit : mm

Part No.	Emitting Color	Wavelength λ_d (nm)	Lens Type	Typ. Luminous Intensity I_v (mcd)	Viewing Angle (deg.)	Forward Voltage Typ. V_F (V)	Forward Current I_F (mA)
L-T2835KYCT	Yellow	587	Water Clear	2500	120	1.9	60
L-T2835KFCT	Orange	605	Water Clear	200	120	1.9	60
L-T2835KRCT	Super Red	628	Water Clear	2000	120	1.9	60

5050 PLCC RGB

Top View

LT69FRGB Series



5.4 × 5.0 × 1.5 mm

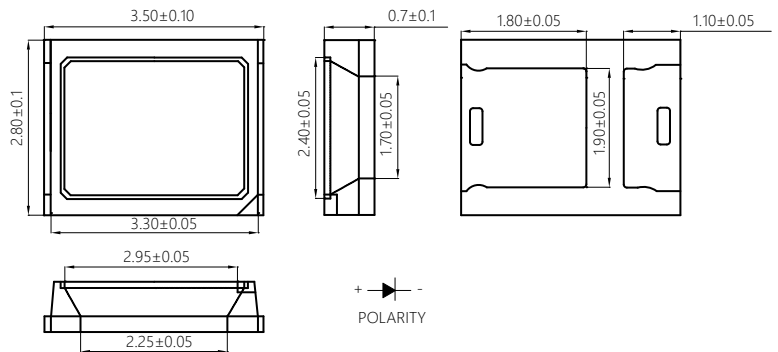
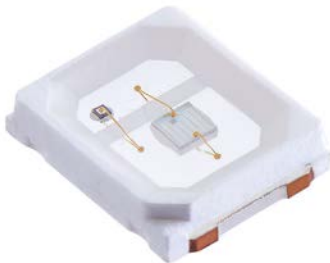
Unit : mm

Part No.	Emitting Color	Wavelength λ_d (nm)	Lens Type	Typ. Luminous Intensity I_v (mcd)	Viewing Angle (deg.)	Forward Voltage Typ. V_F (V)	Forward Current I_F (mA)
LT69FRGBCT	Super Red	628	Water Clear	500	120	1.9	20
	Green	525		1200		3	
	Blue	465		300		3	
L-T69FRGBCT-0.5W-S2	Super Red	628	Water Clear	1900	120	2	50
	Green	525		5000		3.1	
	Blue	465		1200		3.1	
L-T69FRGBCT-1.5W-S2	Super Red	628	Water Clear	6000	120	2.1	150
	Green	525		9500		3.2	
	Blue	465		3000		3.2	

2835 PLCC IR

Top View

LT2835 IR Series



2.8 × 3.5 × 0.7 mm

Unit : mm

Part No.	Emitting Color	Wavelength λ_d (nm)	Lens Type	Typ. Radiation Intensity I_e (mW/sr)	Viewing Angle (deg.)	Forward Voltage Typ. V_F (V)	Forward Current I_F (mA)
L-T2835IR4CT-20	IR	850	Water Clear	250	120	1.6	60
L-T2835IR4CT-24	IR	850	Water Clear	350	120	1.9	60

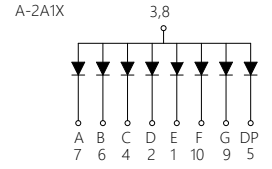
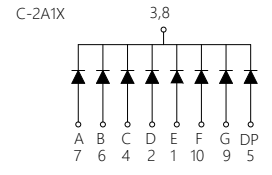
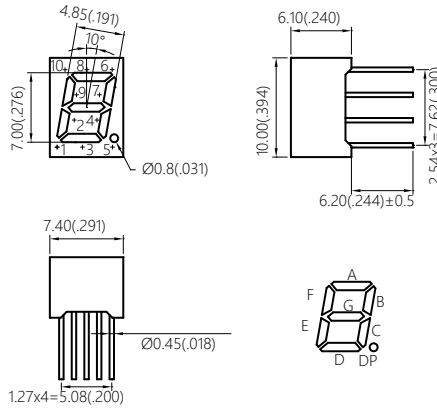
Through Hole Splat Bar & Weight



0.28 inch

Single Digit

2A1 Series



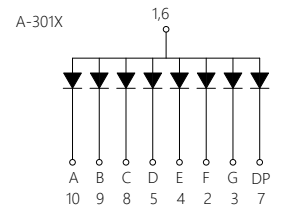
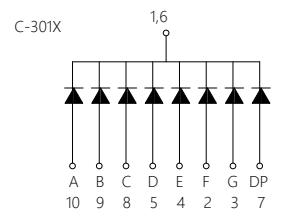
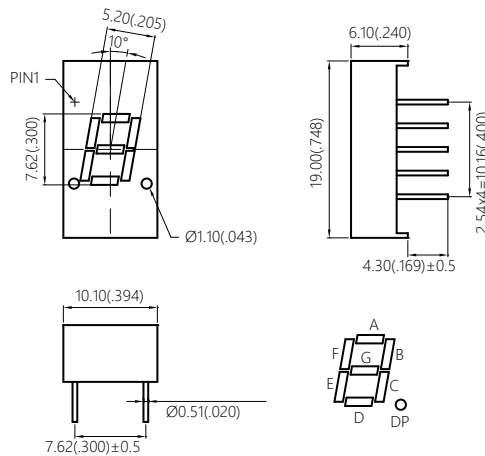
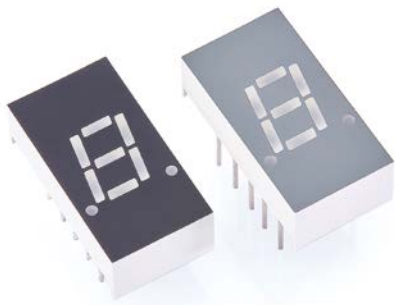
Unit : mm

Common Cathode		Common Anode		Emitting Color	Wavelength λ_d (nm)/CIE (x.y)	Typ. Luminous Intensity I_v (mcd)/Seg.	Forward Current I_f (mA)
Part No	Ref. PN	Part No	Ref. PN				
C-2A1G	DKC12G998G	A-2A1G	DKA12G994G	Yellow Green	570	1.3	10
C-2A1Y	DKC12Y997G	A-2A1Y	DKA12Y993G	Yellow	587	1.1	10
C-2A1E	DKC12E999G	A-2A1E	DKA12E995G	Super Red	628	1.2	10
C-2A1SR	DKC12SR996G	A-2A1SR	DKA12SR992G	Hyper Red	640	4	10

0.3 inch

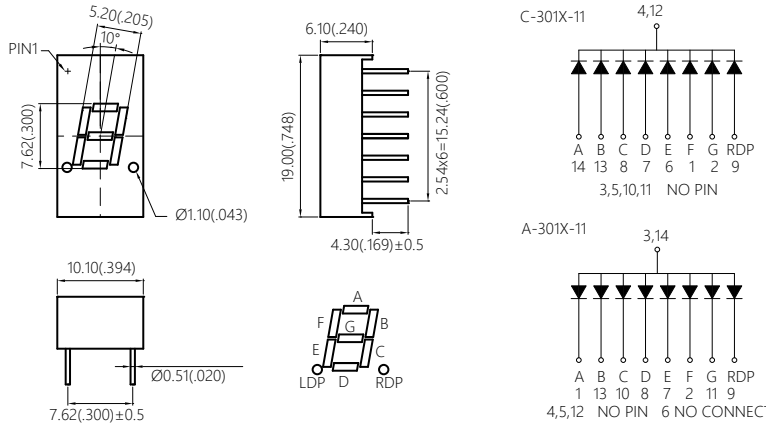
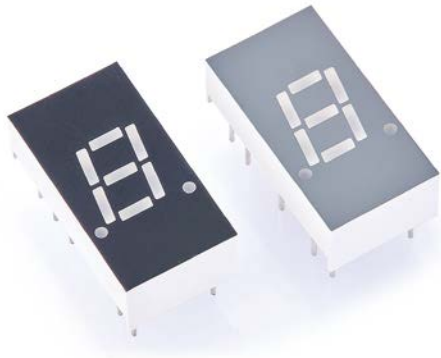
Single Digit

301 Series



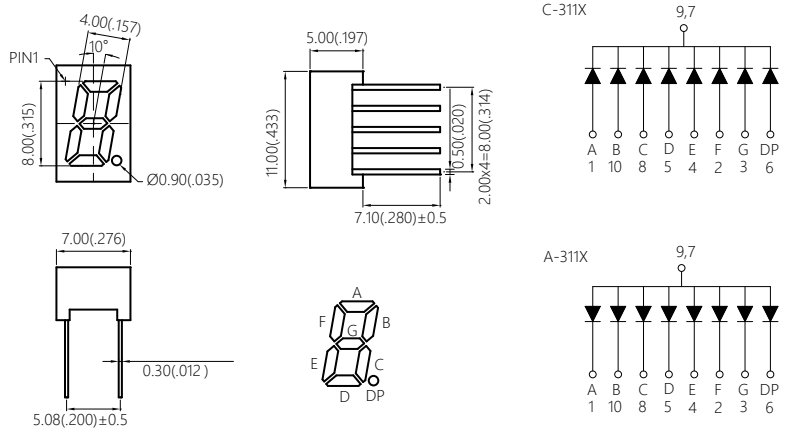
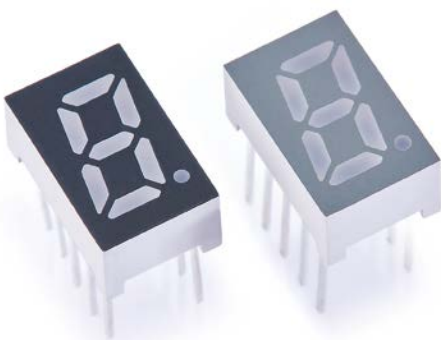
Unit : mm

Common Cathode		Common Anode		Emitting Color	Wavelength λ_d (nm)/CIE (x.y)	Typ. Luminous Intensity I_v (mcd)/Seg.	Forward Current I_f (mA)
Part No	Ref. PN	Part No	Ref. PN				
C-301G	DKC13G990G	A-301G	DKA13G986G	Yellow Green	570	1.4	10
C-301Y	DKC13Y989G	A-301Y	DKA13Y985G	Yellow	587	1.2	10
C-301E	DKC13E991G	A-301E	DKA13E987G	Super Red	628	1.3	10
C-301SR	DKC13SR988G	A-301SR	DKA13SR984G	Hyper Red	640	4.2	10



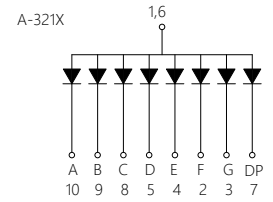
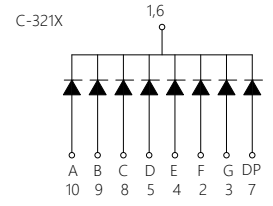
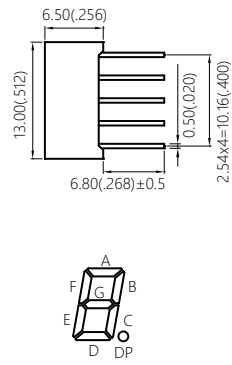
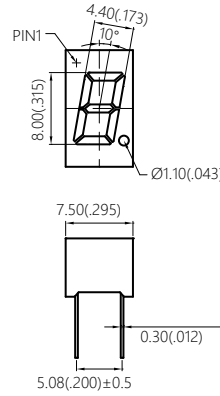
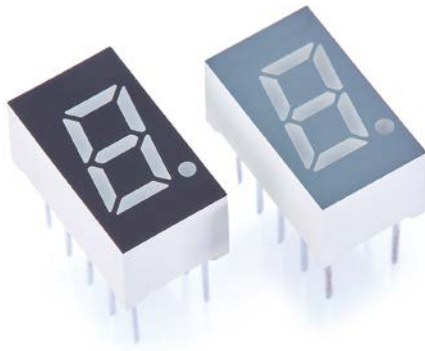
Unit : mm

Common Cathode		Common Anode		Emitting Color	Wavelength λ_d (nm)/CIE (x.y)	Typ. Luminous Intensity I_v (mcd)/Seg.	Forward Current I_F (mA)
Part No	Ref. PN	Part No	Ref. PN				
C-301G-11	DKC13G982G	A-301G-11	DKA13G978G	Yellow Green	570	1.4	10
C-301Y-11	DKC13Y981G	A-301Y-11	DKA13Y977G	Yellow	587	1.2	10
C-301E-11	DKC13E983G	A-301E-11	DKA13E979G	Super Red	628	1.3	10
C-301SR-11	DKC13SR980G	A-301SR-11	DKA13SR976G	Hyper Red	640	4.2	10



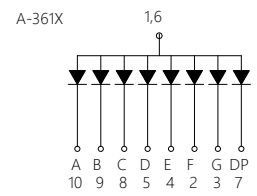
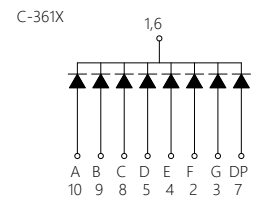
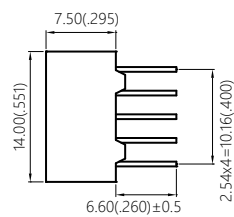
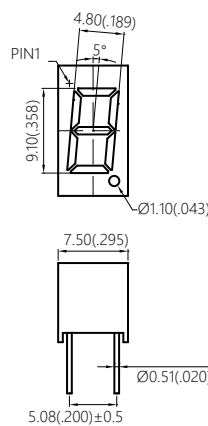
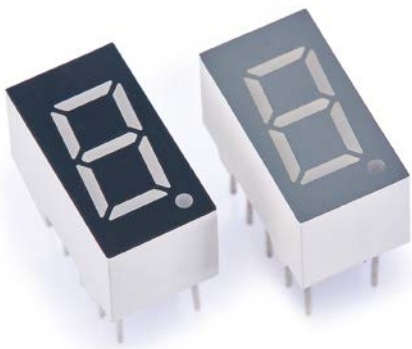
Unit : mm

Common Cathode		Common Anode		Emitting Color	Wavelength λ_d (nm)/CIE (x.y)	Typ. Luminous Intensity I_v (mcd)/Seg.	Forward Current I_F (mA)
Part No	Ref. PN	Part No	Ref. PN				
C-311G	DKC13G974G	A-311G	DKA13G970G	Yellow Green	570	2	10
C-311Y	DKC13Y973G	A-311Y	DKA13Y969G	Yellow	587	2.1	10
C-311E	DKC13E975G	A-311E	DKA13E971G	Super Red	628	2.1	10
C-311SR	DKC13SR972G	A-311SR	DKA13SR968G	Hyper Red	640	1.9	10



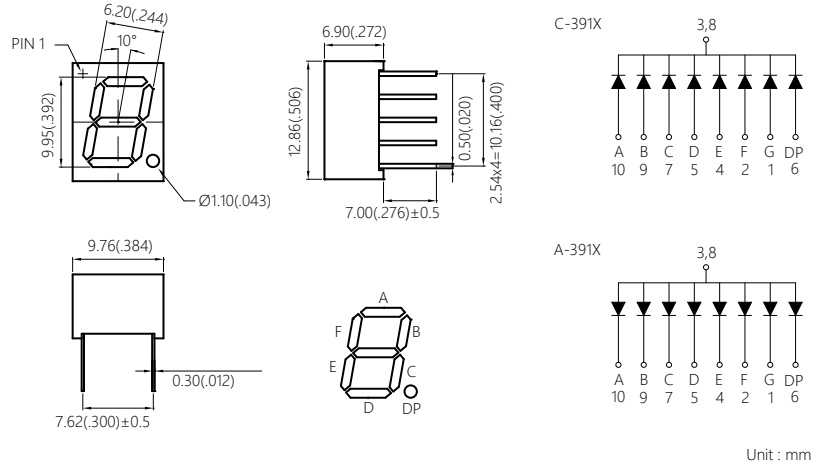
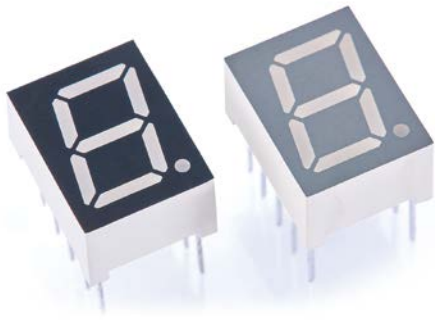
Unit : mm

Common Cathode		Common Anode		Emitting Color	Wavelength λ_d (nm)/CIE (x,y)	Typ. Luminous Intensity I_v (mcd)/Seg.	Forward Current I_f (mA)
Part No	Ref. PN	Part No	Ref. PN				
C-321UB	DKC13UB963G	A-321UB	DKA13UB958G	Blue	465	8	10
C-321G	DKC13G966G	A-321G	DKA13G961G	Yellow Green	570	1.5	10
C-321Y	DKC13Y965G	A-321Y	DKA13Y960G	Yellow	587	1.3	10
C-321E	DKC13E967G	A-321E	DKA13E962G	Super Red	628	1.4	10
C-321SR	DKC13SR964G	A-321SR	DKA13SR959G	Hyper Red	640	4.4	10



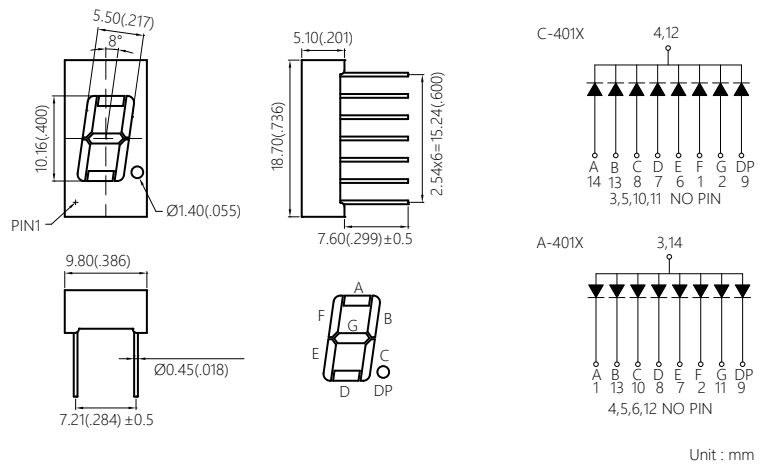
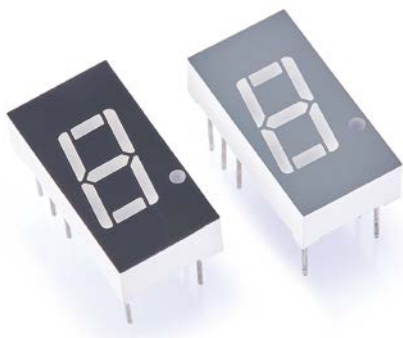
Unit : mm

Common Cathode		Common Anode		Emitting Color	Wavelength λ_d (nm)/CIE (x,y)	Typ. Luminous Intensity I_v (mcd)/Seg.	Forward Current I_f (mA)
Part No	Ref. PN	Part No	Ref. PN				
C-361G	DKC13G956G	A-361G	DKA13G952G	Yellow Green	570	1.6	10
C-361Y	DKC13Y955G	A-361Y	DKA13Y951G	Yellow	587	1.4	10
C-361E	DKC13E957G	A-361E	DKA13E953G	Super Red	628	1.5	10
C-361SR	DKC13SR954G	A-361SR	DKA13SR950G	Hyper Red	640	4.6	10



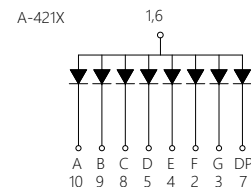
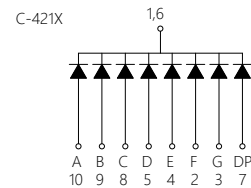
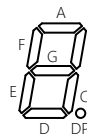
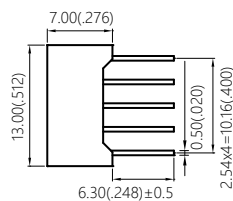
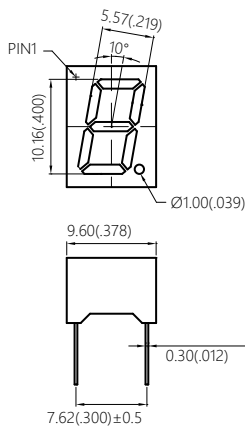
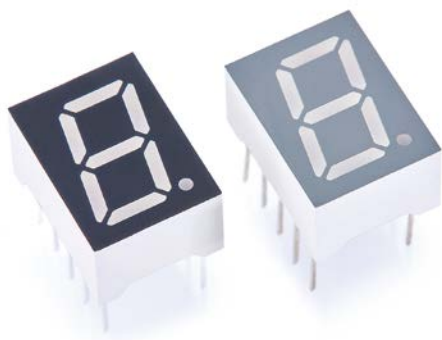
Unit : mm

Common Cathode		Common Anode		Emitting Color	Wavelength λ_d (nm)/CIE (x.y)	Typ. Luminous Intensity I_v (mcd)/Seg.	Forward Current I_F (mA)
Part No	Ref. PN	Part No	Ref. PN				
C-391UB	DKC13UB945G	A-391UB	DKA13UB940G	Blue	465	10	10
C-391G	DKC13G948G	A-391G	DKA13G943G	Yellow Green	570	1.7	10
C-391Y	DKC13Y947G	A-391Y	DKA13Y942G	Yellow	587	1.5	10
C-391E	DKC13E949G	A-391E	DKA13E944G	Super Red	628	1.6	10
C-391SR	DKC13SR946G	A-391SR	DKA13SR941G	Hyper Red	640	5	10



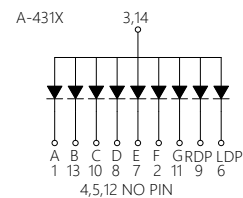
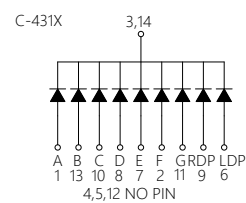
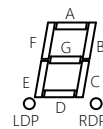
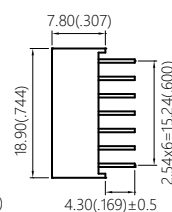
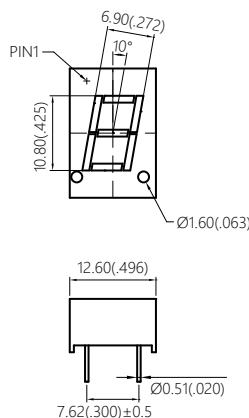
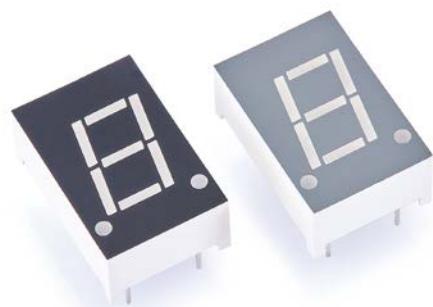
Unit : mm

Common Cathode		Common Anode		Emitting Color	Wavelength λ_d (nm)/CIE (x.y)	Typ. Luminous Intensity I_v (mcd)/Seg.	Forward Current I_F (mA)
Part No	Ref. PN	Part No	Ref. PN				
C-401UB	DKC14UB935G	A-401UB	DKA14UB930G	Blue	465	10	10
C-401G	DKC14G938G	A-401G	DKA14G933G	Yellow Green	570	1.7	10
C-401Y	DKC14Y937G	A-401Y	DKA14Y932G	Yellow	587	1.5	10
C-401E	DKC14E939G	A-401E	DKA14E934G	Super Red	628	1.6	10
C-401SR	DKC14SR936G	A-401SR	DKA14SR931G	Hyper Red	640	5	10



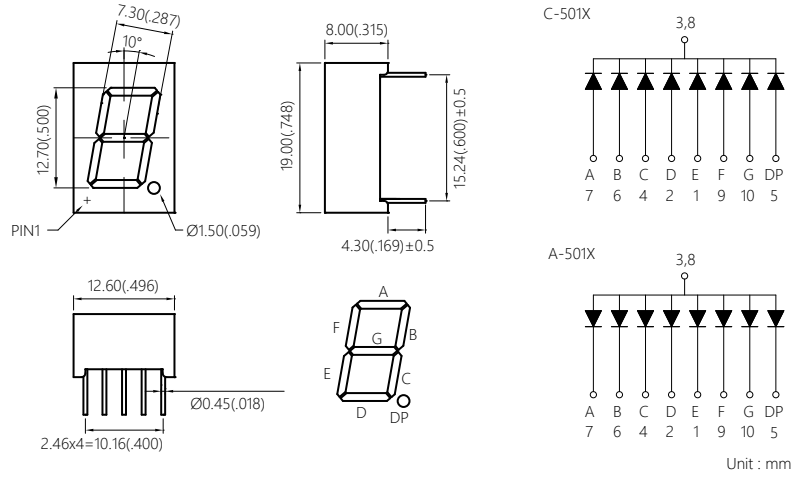
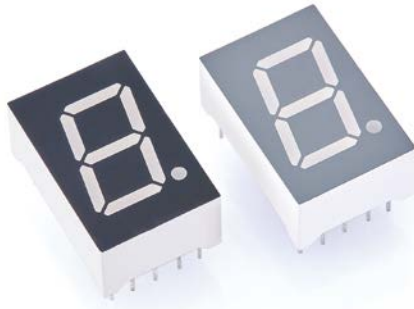
Unit : mm

Common Cathode		Common Anode		Emitting Color	Wavelength λ_d (nm)/CIE (x.y)	Typ. Luminous Intensity I_v (mcd)/Seg.	Forward Current I_F (mA)
Part No	Ref. PN	Part No	Ref. PN				
C-421UB	DKC14UB925G	A-421UB	DKA14UB920G	Blue	465	12	10
C-421G	DKC14G928G	A-421G	DKA14G923G	Yellow Green	570	1.7	10
C-421Y	DKC14Y927G	A-421Y	DKA14Y922G	Yellow	587	1.5	10
C-421E	DKC14E929G	A-421E	DKA14E924G	Super Red	628	1.6	10
C-421SR	DKC14SR926G	A-421SR	DKA14SR921G	Hyper Red	640	5.5	10

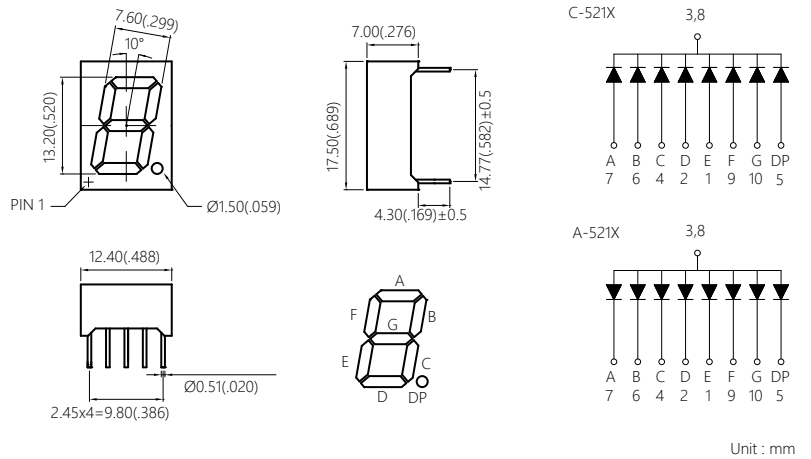
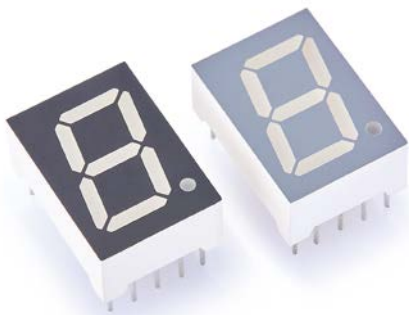


Unit : mm

Common Cathode		Common Anode		Emitting Color	Wavelength λ_d (nm)/CIE (x.y)	Typ. Luminous Intensity I_v (mcd)/Seg.	Forward Current I_F (mA)
Part No	Ref. PN	Part No	Ref. PN				
C-431G	DKC14G918G	A-431G	DKA14G914G	Yellow Green	570	1.8	10
C-431Y	DKC14Y917G	A-431Y	DKA14Y913G	Yellow	587	1.6	10
C-431E	DKC14E919G	A-431E	DKA14E915G	Super Red	628	1.7	10
C-431SR	DKC14SR916G	A-431SR	DKA14SR912G	Hyper Red	640	6	10



Common Cathode		Common Anode		Emitting Color	Wavelength λ_d (nm)/CIE (x.y)	Typ. Luminous Intensity I_v (mcd)/Seg.	Forward Current I_F (mA)
Part No	Ref. PN	Part No	Ref. PN				
C-501UB	DKC15UB907G	A-501UB	DKA15UB902G	Blue	465	14	10
C-501G	DKC15G910G	A-501G	DKA15G905G	Yellow Green	570	1.9	10
C-501Y	DKC15Y909G	A-501Y	DKA15Y904G	Yellow	587	1.7	10
C-501E	DKC15E911G	A-501E	DKA15E906G	Super Red	628	1.8	10
C-501SR	DKC15SR908G	A-501SR	DKA15SR903G	Hyper Red	640	8	10

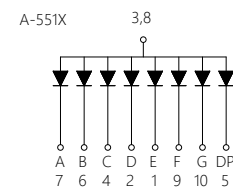
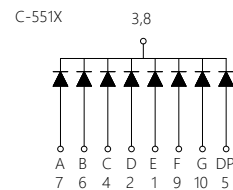
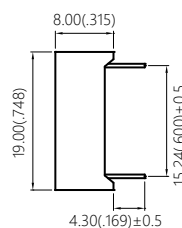
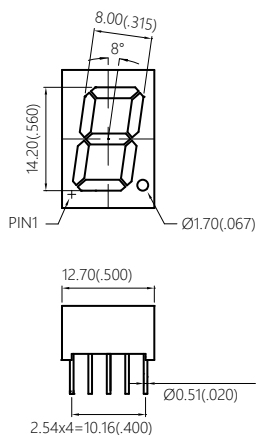
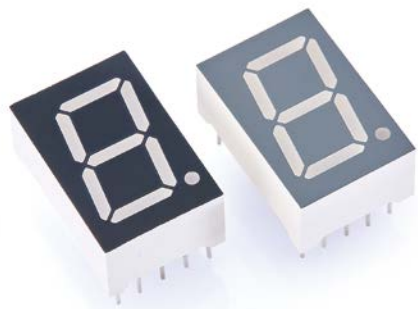


Common Cathode		Common Anode		Emitting Color	Wavelength λ_d (nm)/CIE (x.y)	Typ. Luminous Intensity I_v (mcd)/Seg.	Forward Current I_F (mA)
Part No	Ref. PN	Part No	Ref. PN				
C-521UB	DKC15UB897G	A-521UB	DKA15UB892G	Blue	465	16	10
C-521G	DKC15G900G	A-521G	DKA15G895G	Yellow Green	570	2	10
C-521Y	DKC15Y899G	A-521Y	DKA15Y894G	Yellow	587	1.8	10
C-521E	DKC15E901G	A-521E	DKA15E896G	Super Red	628	1.9	10
C-521SR	DKC15SR898G	A-521SR	DKA15SR893G	Hyper Red	640	10	10

0.56 inch

Single Digit

551 Series



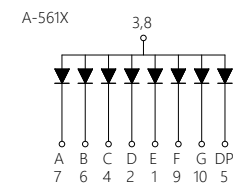
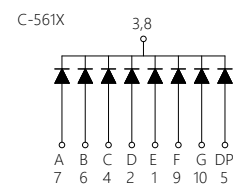
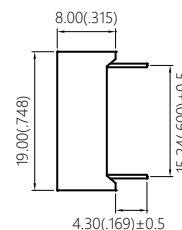
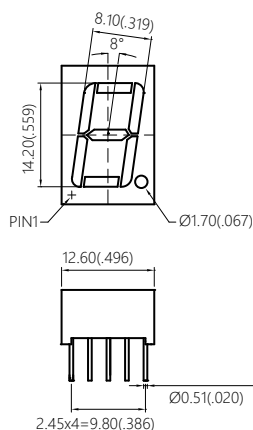
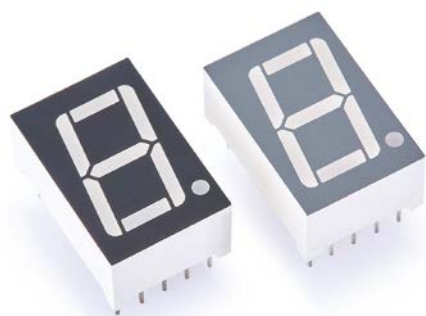
Unit : mm

Common Cathode		Common Anode		Emitting Color	Wavelength λ_d (nm)/CIE (x.y)	Typ. Luminous Intensity I_v (mcd)/Seg.	Forward Current I_F (mA)
Part No	Ref. PN	Part No	Ref. PN				
C-551UB	DKC15UB887G	A-551UB	DKA15UB882G	Blue	465	18	10
C-551G	DKC15G890G	A-551G	DKA15G885G	Yellow Green	570	2.1	10
C-551Y	DKC15Y889G	A-551Y	DKA15Y884G	Yellow	587	1.9	10
C-551E	DKC15E891G	A-551E	DKA15E886G	Super Red	628	2	10
C-551SR	DKC15SR888G	A-551SR	DKA15SR883G	Hyper Red	640	12	10

0.56 inch

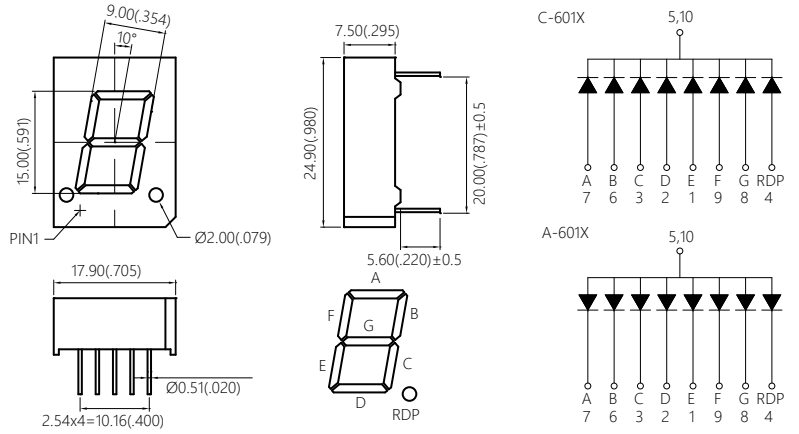
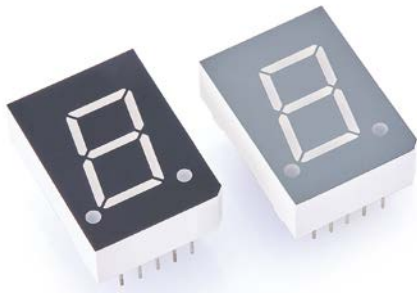
Single Digit

561 Series



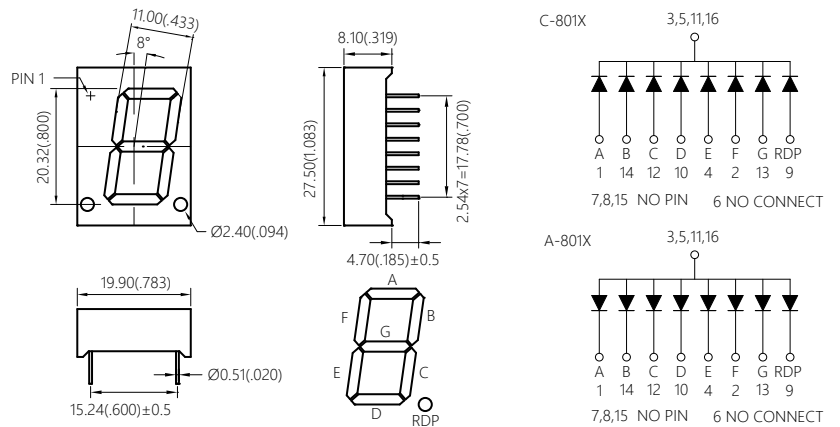
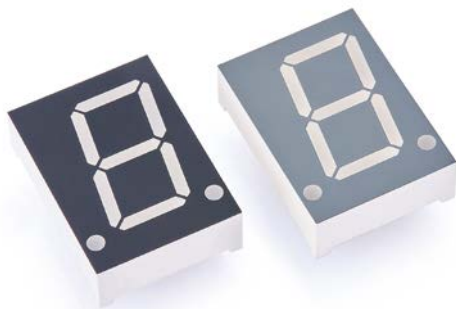
Unit : mm

Common Cathode		Common Anode		Emitting Color	Wavelength λ_d (nm)/CIE (x.y)	Typ. Luminous Intensity I_v (mcd)/Seg.	Forward Current I_F (mA)
Part No	Ref. PN	Part No	Ref. PN				
C-561UB	DKC15UB877G	A-561UB	DKA15UB872G	Blue	465	18	10
C-561G	DKC15G880G	A-561G	DKA15G875G	Yellow Green	570	2.1	10
C-561Y	DKC15Y879G	A-561Y	DKA15Y874G	Yellow	587	1.9	10
C-561E	DKC15E881G	A-561E	DKA15E876G	Super Red	628	2	10
C-561SR	DKC15SR878G	A-561SR	DKA15SR873G	Hyper Red	640	12	10



Unit : mm

Common Cathode		Common Anode		Emitting Color	Wavelength λ_d (nm)/CIE (x.y)	Typ. Luminous Intensity I_v (mcd)/Seg.	Forward Current I_F (mA)
Part No	Ref. PN	Part No	Ref. PN				
C-601G	DKC16G870G	A-601G	DKA16G866G	Yellow Green	570	2.2	10
C-601Y	DKC16Y869G	A-601Y	DKA16Y865G	Yellow	587	2	10
C-601E	DKC16E871G	A-601E	DKA16E867G	Super Red	628	2.1	10
C-601SR	DKC16SR868G	A-601SR	DKA16SR864G	Hyper Red	640	14	10



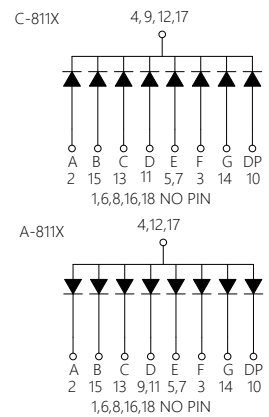
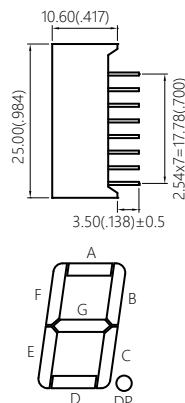
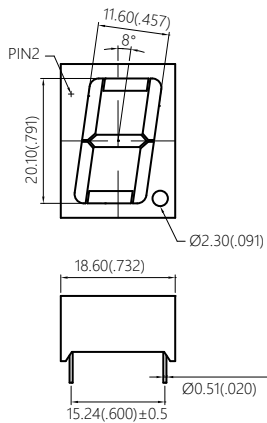
Unit : mm

Common Cathode		Common Anode		Emitting Color	Wavelength λ_d (nm)/CIE (x.y)	Typ. Luminous Intensity I_v (mcd)/Seg.	Forward Current I_F (mA)
Part No	Ref. PN	Part No	Ref. PN				
C-801G	DKC18G862G	A-801G	DKA18G858G	Yellow Green	570	2.6	10
C-801Y	DKC18Y861G	A-801Y	DKA18Y857G	Yellow	587	2.4	10
C-801E	DKC18E863G	A-801E	DKA18E859G	Super Red	628	2.5	10
C-801SR	DKC18SR860G	A-801SR	DKA18SR856G	Hyper Red	640	20	10

0.8 inch

Single Digit

811 Series



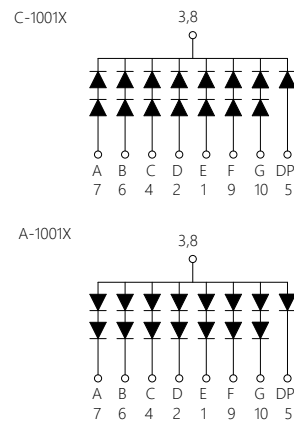
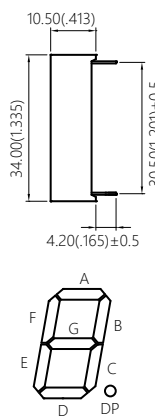
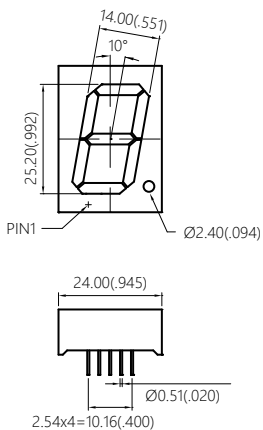
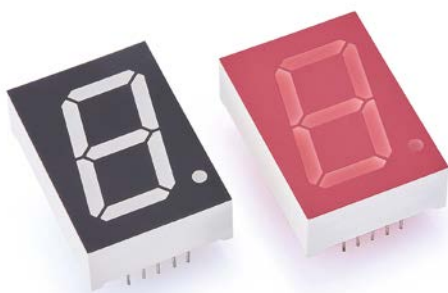
Unit : mm

Common Cathode		Common Anode		Emitting Color	Wavelength λ_d (nm)/CIE (x.y)	Typ. Luminous Intensity I_v (mcd)/Seg.	Forward Current I_f (mA)
Part No	Ref. PN	Part No	Ref. PN				
C-811G	DKC18G854G	A-811G	DKA18G850G	Yellow Green	570	2.7	10
C-811Y	DKC18Y853G	A-811Y	DKA18Y849G	Yellow	587	2.5	10
C-811E	DKC18E855G	A-811E	DKA18E851G	Super Red	628	2.6	10
C-811SR	DKC18SR852G	A-811SR	DKA18SR848G	Hyper Red	640	21	10

1.0 inch

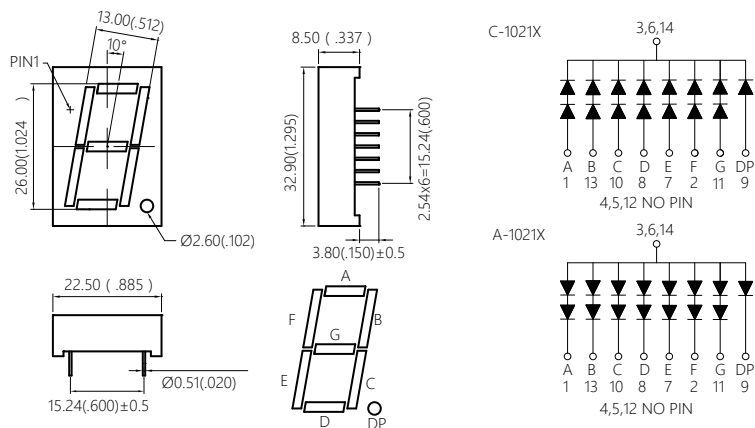
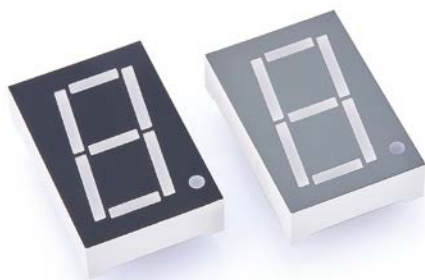
Single Digit

1001 Series



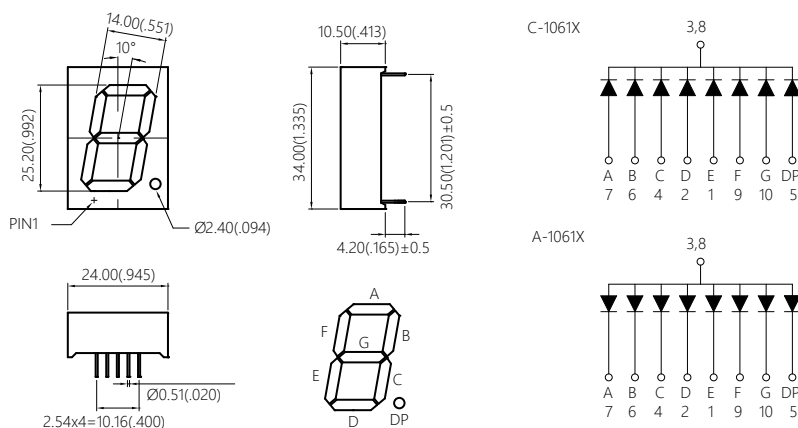
Unit : mm

Common Cathode		Common Anode		Emitting Color	Wavelength λ_d (nm)/CIE (x.y)	Typ. Luminous Intensity I_v (mcd)/Seg.	Forward Current I_f (mA)
Part No	Ref. PN	Part No	Ref. PN				
C-1001UB	DKC1AUB843G	A-1001UB	DKA1AUB838G	Blue	465	40	10
C-1001G	DKC1AG846G	A-1001G	DKA1AG841G	Yellow Green	570	3.4	10
C-1001Y	DKC1AY845G	A-1001Y	DKA1AY840G	Yellow	587	3	10
C-1001E	DKC1AE847G	A-1001E	DKA1AE842G	Super Red	628	3.2	10
C-1001SR	DKC1ASR844G	A-1001SR	DKA1ASR839G	Hyper Red	640	28	10



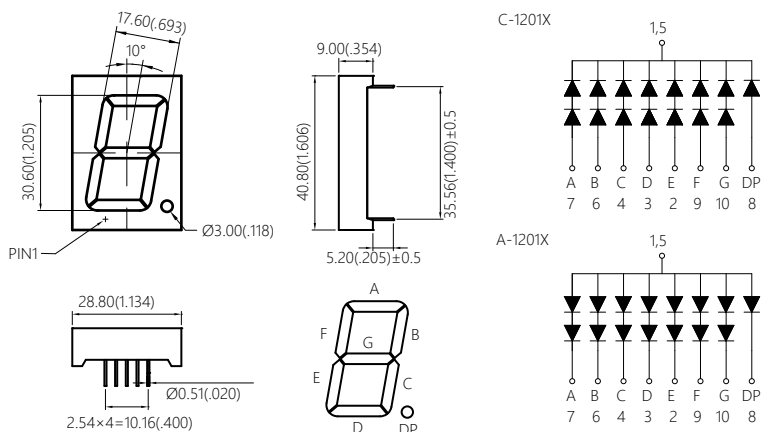
Unit : mm

Common Cathode		Common Anode		Emitting Color	Wavelength λ_d (nm)/CIE (x.y)	Typ. Luminous Intensity I_v (mcd)/Seg.	Forward Current I_F (mA)
Part No	Ref. PN	Part No	Ref. PN				
C-1021UB	DKC1AUB833G	A-1021UB	DKA1AUB828G	Blue	465	40	10
C-1021G	DKC1AG836G	A-1021G	DKA1AG831G	Yellow Green	570	3.4	10
C-1021Y	DKC1AY835G	A-1021Y	DKA1AY830G	Yellow	587	3	10
C-1021E	DKC1AE837G	A-1021E	DKA1AE832G	Super Red	628	3.2	10
C-1021SR	DKC1ASR834G	A-1021SR	DKA1ASR829G	Hyper Red	640	28	10



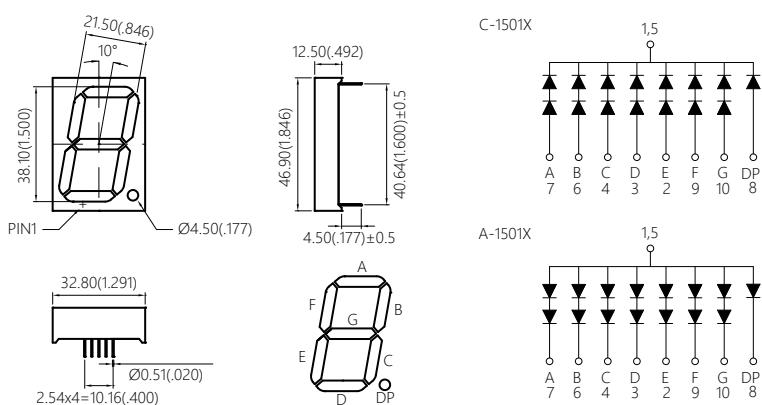
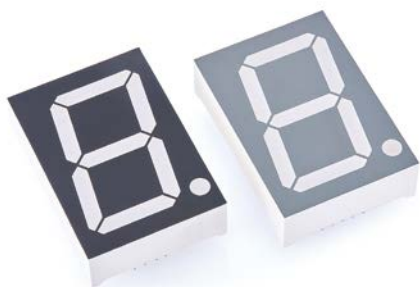
Unit : mm

Common Cathode		Common Anode		Emitting Color	Wavelength λ_d (nm)/CIE (x.y)	Typ. Luminous Intensity I_v (mcd)/Seg.	Forward Current I_F (mA)
Part No	Ref. PN	Part No	Ref. PN				
C-1061G	DKC1AG826G	A-1061G	DKA1AG822G	Yellow Green	570	4	10
C-1061Y	DKC1AY825G	A-1061Y	DKA1AY821G	Yellow	587	3.2	10
C-1061E	DKC1AE827G	A-1061E	DKA1AE823G	Super Red	628	4.2	10
C-1061SR	DKC1ASR824G	A-1061SR	DKA1ASR820G	Hyper Red	640	40	10



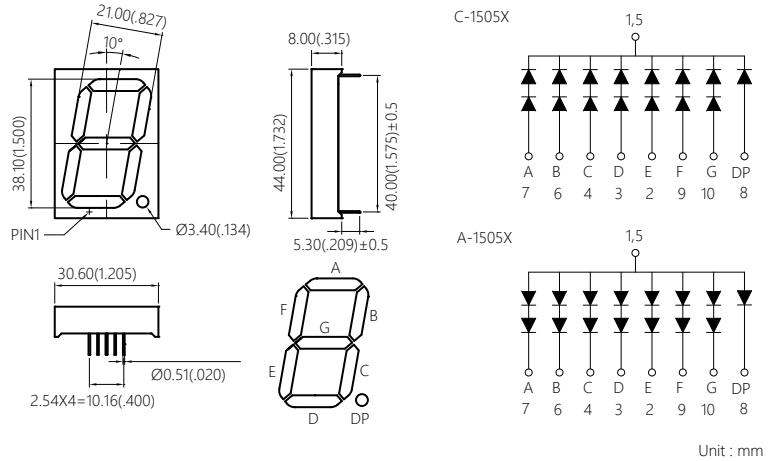
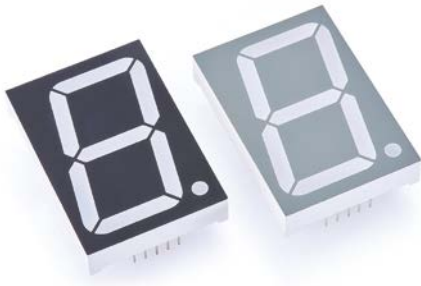
Unit : mm

Common Cathode		Common Anode		Emitting Color	Wavelength λ_d (nm)/CIE (x.y)	Typ. Luminous Intensity I_v (mcd)/Seg.	Forward Current I_F (mA)
Part No	Ref. PN	Part No	Ref. PN				
C-1201UB	DKC1AUB815G	A-1201UB	DKA1AUB810G	Blue	465	45	10
C-1201G	DKC1AG818G	A-1201G	DKA1AG813G	Yellow Green	570	3.6	10
C-1201Y	DKC1AY817G	A-1201Y	DKA1AY812G	Yellow	587	3.2	10
C-1201E	DKC1AE819G	A-1201E	DKA1AE814G	Super Red	628	3.4	10
C-1201SR	DKC1ASR816G	A-1201SR	DKA1ASR811G	Hyper Red	640	32	10



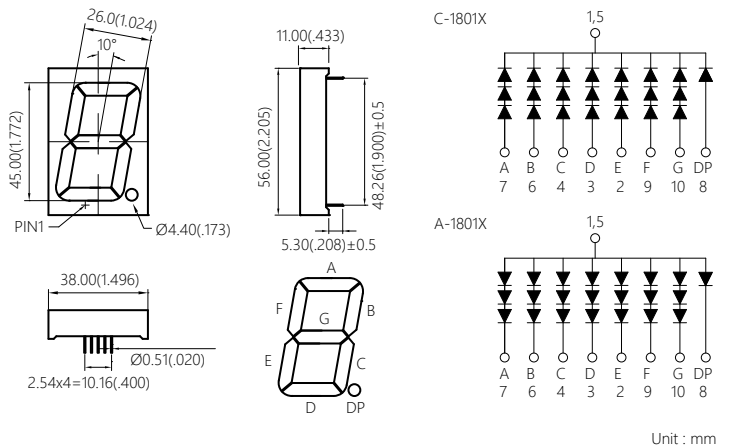
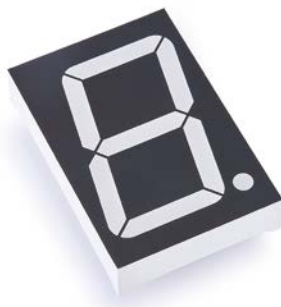
Unit : mm

Common Cathode		Common Anode		Emitting Color	Wavelength λ_d (nm)/CIE (x.y)	Typ. Luminous Intensity I_v (mcd)/Seg.	Forward Current I_F (mA)
Part No	Ref. PN	Part No	Ref. PN				
C-1501G	DKC1AG808G	A-1501G	DKA1AG804G	Yellow Green	570	3.8	10
C-1501Y	DKC1AY807G	A-1501Y	DKA1AY803G	Yellow	587	3.4	10
C-1501E	DKC1AE809G	A-1501E	DKA1AE805G	Super Red	628	3.6	10
C-1501SR	DKC1ASR806G	A-1501SR	DKA1ASR802G	Hyper Red	640	35	10



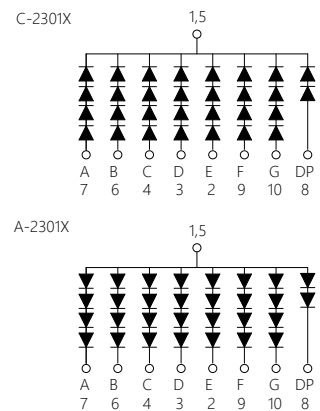
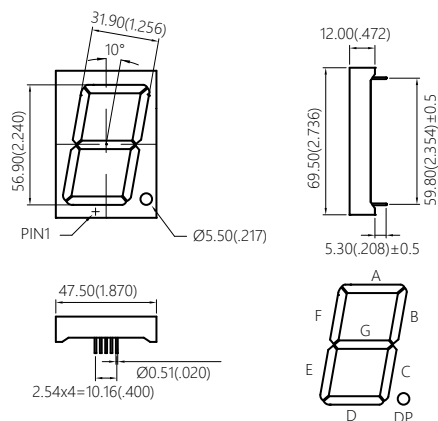
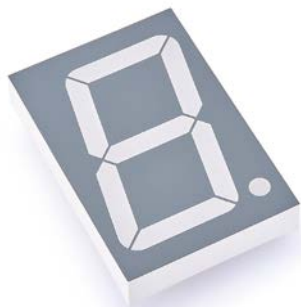
Unit : mm

Common Cathode		Common Anode		Emitting Color	Wavelength λ_d (nm)/CIE (x.y)	Typ. Luminous Intensity I_v (mcd)/Seg.	Forward Current I_F (mA)
Part No	Ref. PN	Part No	Ref. PN				
C-1505G	DKC1AG800G	A-1505G	DKA1AG796G	Yellow Green	570	3.8	10
C-1505Y	DKC1AY799G	A-1505Y	DKA1AY795G	Yellow	587	3.4	10
C-1505E	DKC1AE801G	A-1505E	DKA1AE797G	Super Red	628	3.6	10
C-1505SR	DKC1ASR798G	A-1505SR	DKA1ASR794G	Hyper Red	640	35	10



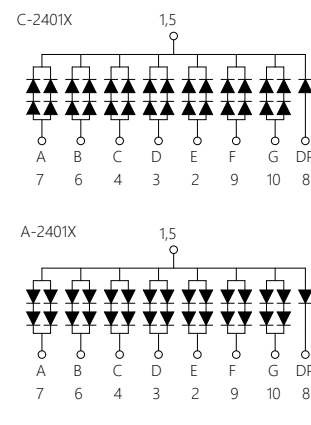
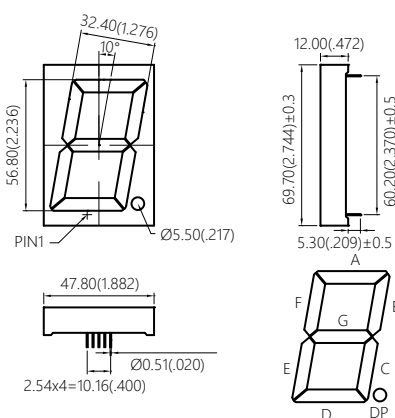
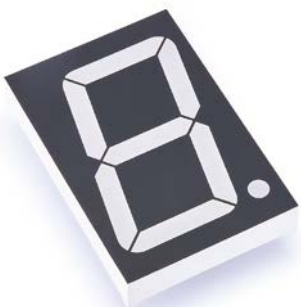
Unit : mm

Common Cathode		Common Anode		Emitting Color	Wavelength λ_d (nm)/CIE (x.y)	Typ. Luminous Intensity I_v (mcd)/Seg.	Forward Current I_F (mA)
Part No	Ref. PN	Part No	Ref. PN				
C-1801UB	DKC1AUB789G	A-1801UB	DKA1AUB784G	Blue	465	50	10
C-1801G	DKC1AG792G	A-1801G	DKA1AG787G	Yellow Green	570	4.4	10
C-1801Y	DKC1AY791G	A-1801Y	DKA1AY786G	Yellow	587	4	10
C-1801E	DKC1AE793G	A-1801E	DKA1AE788G	Super Red	628	4.2	10
C-1801SR	DKC1ASR790G	A-1801SR	DKA1ASR785G	Hyper Red	640	40	10



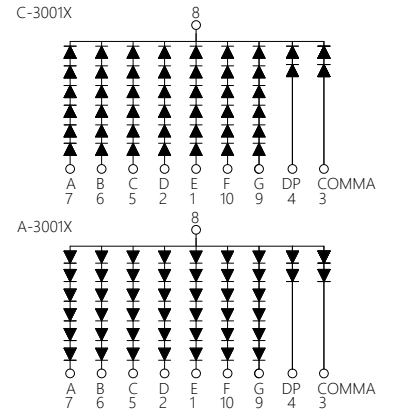
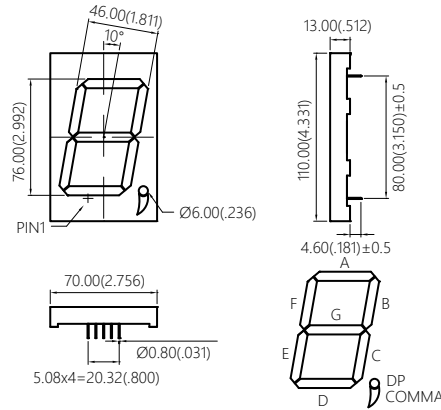
Unit : mm

Common Cathode		Common Anode		Emitting Color	Wavelength λ_d (nm)/CIE (x.y)	Typ. Luminous Intensity I_v (mcd)/Seg.	Forward Current I_f (mA)
Part No	Ref. PN	Part No	Ref. PN				
C-2301UB	DKC1AUB779G	A-2301UB	DKA1AUB774G	Blue	465	48	10
C-2301G	DKC1AG782G	A-2301G	DKA1AG777G	Yellow Green	570	4.8	10
C-2301Y	DKC1AY781G	A-2301Y	DKA1AY776G	Yellow	587	4.4	10
C-2301E	DKC1AE783G	A-2301E	DKA1AE778G	Super Red	628	4.6	10
C-2301SR	DKC1ASR780G	A-2301SR	DKA1ASR775G	Hyper Red	640	44	10



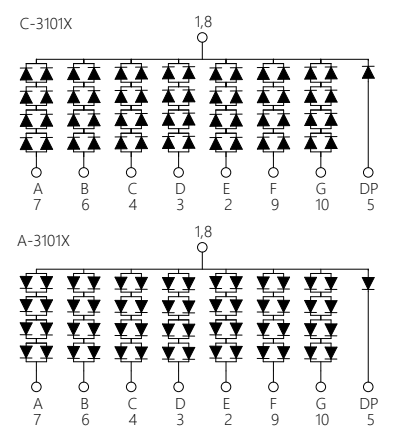
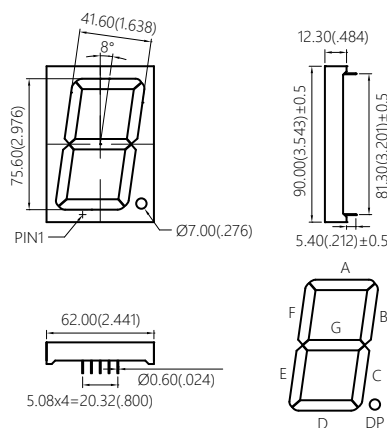
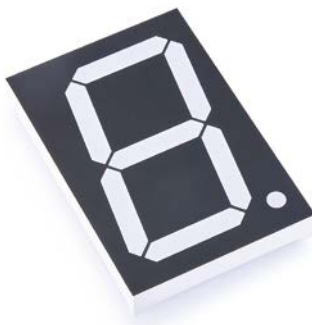
Unit : mm

Common Cathode		Common Anode		Emitting Color	Wavelength λ_d (nm)/CIE (x.y)	Typ. Luminous Intensity I_v (mcd)/Seg.	Forward Current I_f (mA)
Part No	Ref. PN	Part No	Ref. PN				
C-2401G	DKC1AG772G	A-2401G	DKA1AG768G	Yellow Green	570	5.5	10
C-2401Y	DKC1AY771G	A-2401Y	DKA1AY767G	Yellow	587	5.4	10
C-2401E	DKC1AE773G	A-2401E	DKA1AE769G	Super Red	628	5.5	10
C-2401SR	DKC1ASR770G	A-2401SR	DKA1ASR766G	Hyper Red	640	50	10



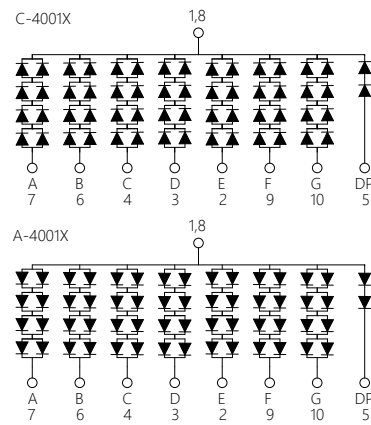
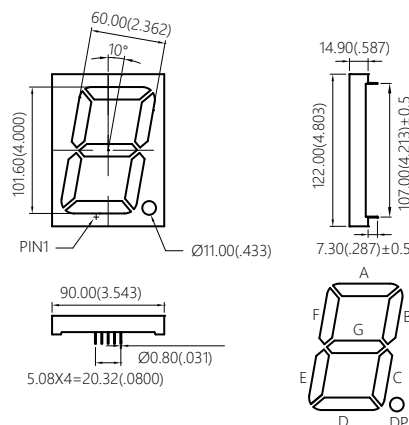
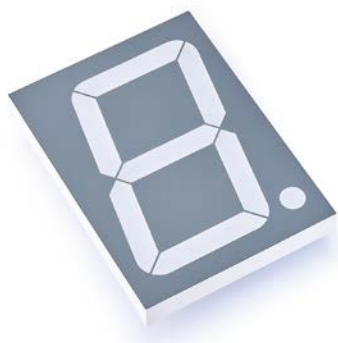
Unit : mm

Common Cathode		Common Anode		Emitting Color	Wavelength λ_d (nm)/CIE (x.y)	Typ. Luminous Intensity I_v (mcd)/Seg.	Forward Current I_F (mA)
Part No	Ref. PN	Part No	Ref. PN				
C-3001UB	DKC1AUB761G	A-3001UB	DKA1AUB756G	Blue	465	58	10
C-3001G	DKC1AG764G	A-3001G	DKA1AG759G	Yellow Green	570	6.4	10
C-3001Y	DKC1AY763G	A-3001Y	DKA1AY758G	Yellow	587	6	10
C-3001E	DKC1AE765G	A-3001E	DKA1AE760G	Super Red	628	6.2	10
C-3001SR	DKC1ASR762G	A-3001SR	DKA1ASR757G	Hyper Red	640	50	10



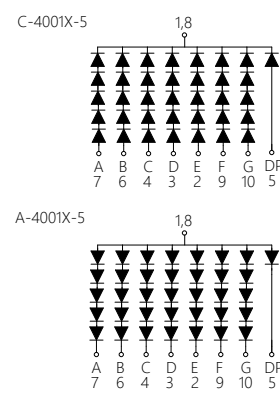
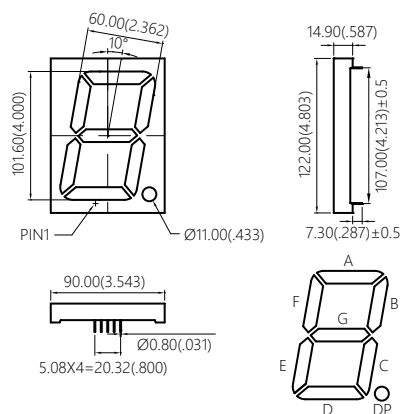
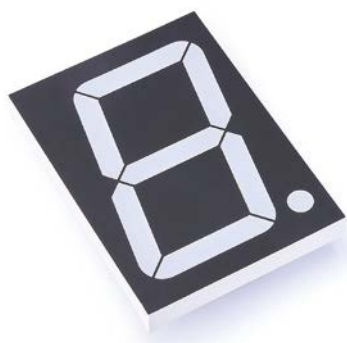
Unit : mm

Common Cathode		Common Anode		Emitting Color	Wavelength λ_d (nm)/CIE (x.y)	Typ. Luminous Intensity I_v (mcd)/Seg.	Forward Current I_F (mA)
Part No	Ref. PN	Part No	Ref. PN				
C-3101G	DKC1AG754G	A-3101G	DKA1AG750G	Yellow Green	570	8.4	10
C-3101Y	DKC1AY753G	A-3101Y	DKA1AY749G	Yellow	587	8	10
C-3101E	DKC1AE755G	A-3101E	DKA1AE751G	Super Red	628	8.2	10
C-3101SR	DKC1ASR752G	A-3101SR	DKA1ASR748G	Hyper Red	640	58	10



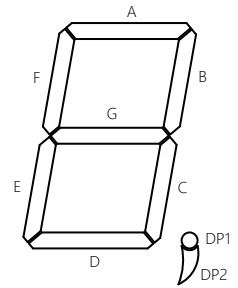
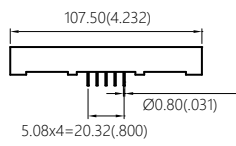
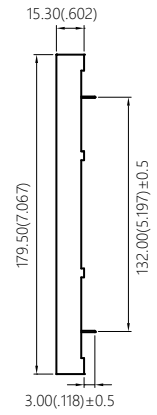
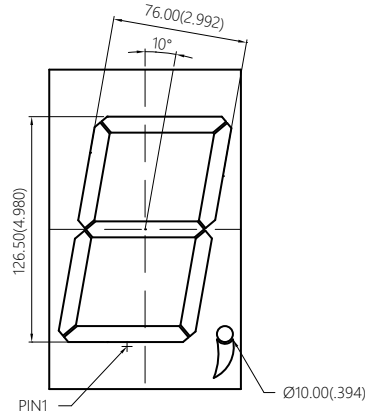
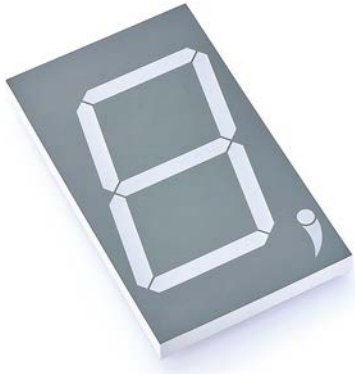
Unit : mm

Common Cathode		Common Anode		Emitting Color	Wavelength λ_d (nm)/CIE (x.y)	Typ. Luminous Intensity I_v (mcd)/Seg.	Forward Current I_F (mA)
Part No	Ref. PN	Part No	Ref. PN				
C-4001UB	DKC1AUB743G	A-4001UB	DKA1AUB738G	Blue	465	74	10
C-4001G	DKC1AG746G	A-4001G	DKA1AG741G	Yellow Green	570	14	10
C-4001Y	DKC1AY745G	A-4001Y	DKA1AY740G	Yellow	587	12	10
C-4001E	DKC1AE747G	A-4001E	DKA1AE742G	Super Red	628	13	10
C-4001SR	DKC1ASR744G	A-4001SR	DKA1ASR739G	Hyper Red	640	65	10

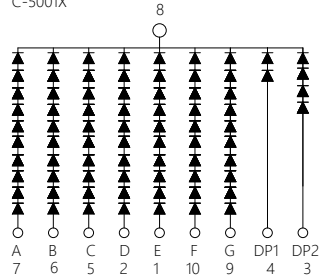


Unit : mm

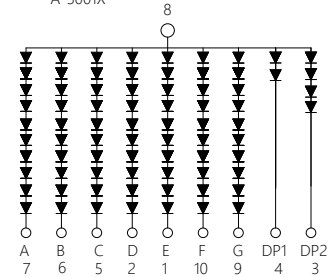
Common Cathode		Common Anode		Emitting Color	Wavelength λ_d (nm)/CIE (x.y)	Typ. Luminous Intensity I_v (mcd)/Seg.	Forward Current I_F (mA)
Part No	Ref. PN	Part No	Ref. PN				
C-4001UB-5	DKC1AUB733G	A-4001UB-5	DKA1AUB728G	Blue	465	60	10
C-4001G-5	DKC1AG736G	A-4001G-5	DKA1AG731G	Yellow Green	570	8	10
C-4001Y-5	DKC1AY735G	A-4001Y-5	DKA1AY730G	Yellow	587	7.5	10
C-4001E-5	DKC1AE737G	A-4001E-5	DKA1AE732G	Super Red	628	7.8	10
C-4001SR-5	DKC1ASR734G	A-4001SR-5	DKA1ASR729G	Hyper Red	640	52	10



C-5001X

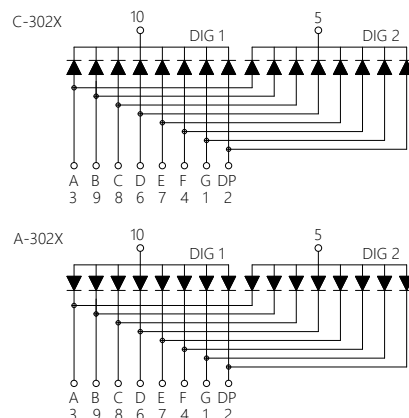
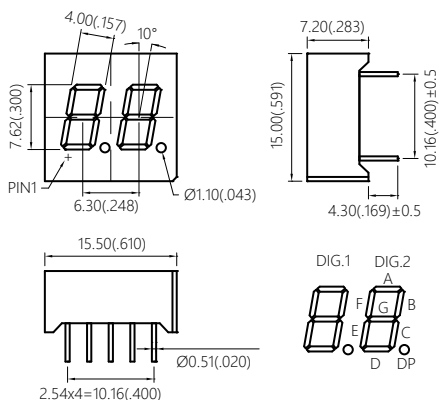
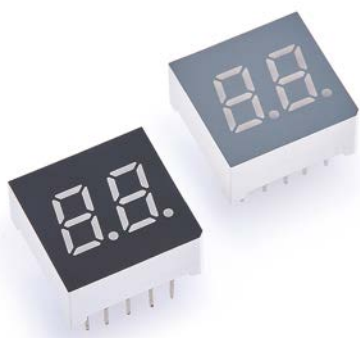


A-5001X



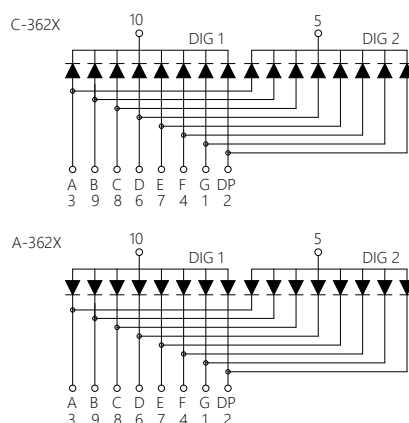
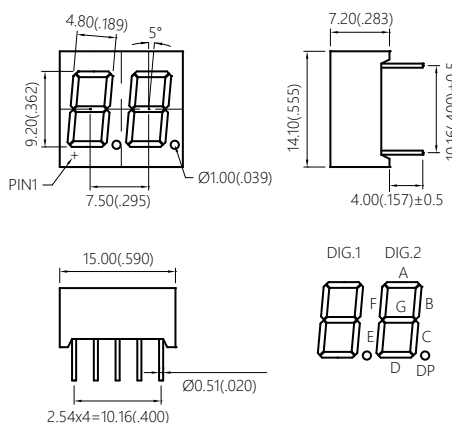
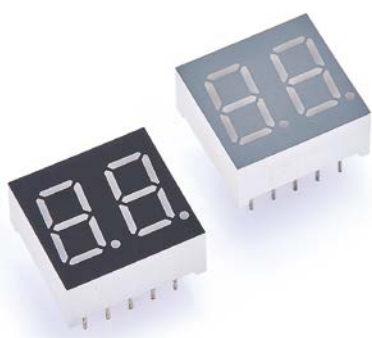
Unit : mm

Common Cathode		Common Anode		Emitting Color	Wavelength λ_d (nm)/CIE (x.y)	Typ. Luminous Intensity I_v (mcd)/Seg.	Forward Current I_F (mA)
Part No	Ref. PN	Part No	Ref. PN				
C-5001G	DKC1AG726G	A-5001G	DKA1AG722G	Yellow Green	570	24	10
C-5001Y	DKC1AY725G	A-5001Y	DKA1AY721G	Yellow	587	20	10
C-5001E	DKC1AE727G	A-5001E	DKA1AE723G	Super Red	628	22	10
C-5001SR	DKC1ASR724G	A-5001SR	DKA1ASR720G	Hyper Red	640	70	10



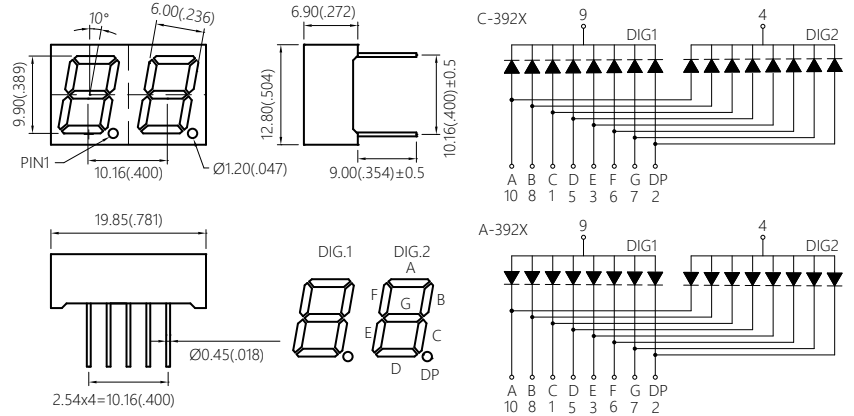
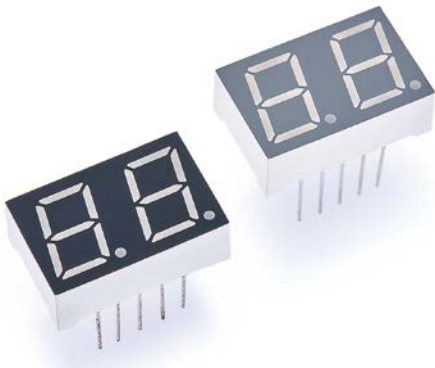
Unit : mm

Common Cathode		Common Anode		Emitting Color	Wavelength λ_d (nm)/CIE (x.y)	Typ. Luminous Intensity I_v (mcd)/Seg.	Forward Current I_F (mA)
Part No	Ref. PN	Part No	Ref. PN				
C-302G	DKC23G718G	A-302G	DKA23G714G	Yellow Green	570	1.4	10
C-302Y	DKC23Y717G	A-302Y	DKA23Y713G	Yellow	587	1.2	10
C-302E	DKC23E719G	A-302E	DKA23E715G	Super Red	628	1.3	10
C-302SR	DKC23SR716G	A-302SR	DKA23SR712G	Hyper Red	640	4.2	10



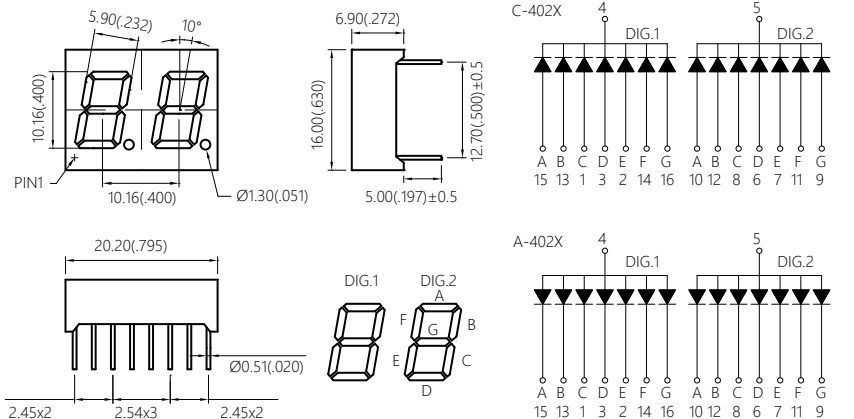
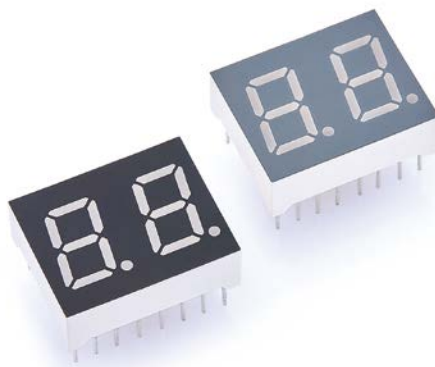
Unit : mm

Common Cathode		Common Anode		Emitting Color	Wavelength λ_d (nm)/CIE (x.y)	Typ. Luminous Intensity I_v (mcd)/Seg.	Forward Current I_F (mA)
Part No	Ref. PN	Part No	Ref. PN				
C-362UB	DKC23UB707G	A-362UB	DKA23UB702G	Blue	465	9	10
C-362G	DKC23G710G	A-362G	DKA23G705G	Yellow Green	570	1.6	10
C-362Y	DKC23Y709G	A-362Y	DKA23Y704G	Yellow	587	1.4	10
C-362E	DKC23E711G	A-362E	DKA23E706G	Super Red	628	1.5	10
C-362SR	DKC23SR708G	A-362SR	DKA23SR703G	Hyper Red	640	4.6	10



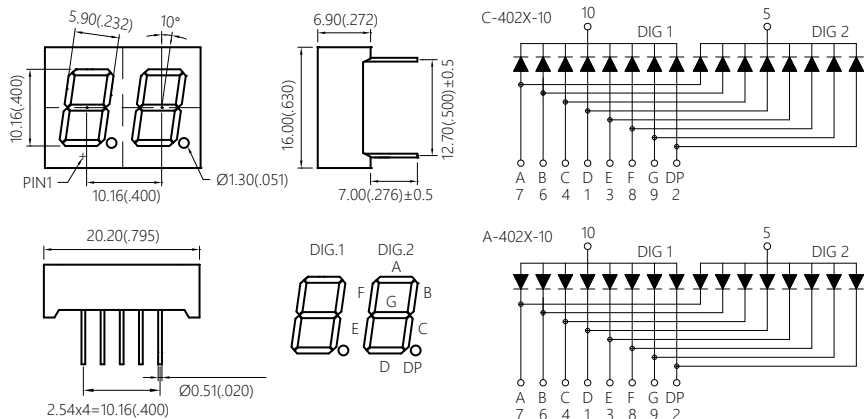
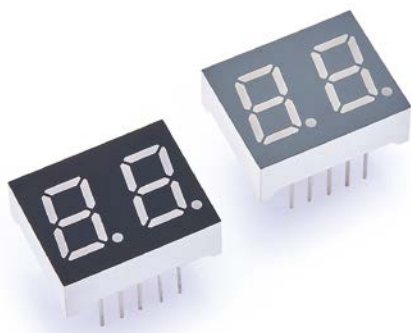
Unit : mm

Common Cathode		Common Anode		Emitting Color	Wavelength λ_d (nm)/CIE (x,y)	Typ. Luminous Intensity I_v (mcd)/Seg.	Forward Current I_F (mA)
Part No	Ref. PN	Part No	Ref. PN				
C-392UB	DKC23UB697G	A-392UB	DKA23UB692G	Blue	465	10	10
C-392G	DKC23G700G	A-392G	DKA23G695G	Yellow Green	570	1.7	10
C-392Y	DKC23Y699G	A-392Y	DKA23Y694G	Yellow	587	1.5	10
C-392E	DKC23E701G	A-392E	DKA23E696G	Super Red	628	1.6	10
C-392SR	DKC23SR698G	A-392SR	DKA23SR693G	Hyper Red	640	4.8	10



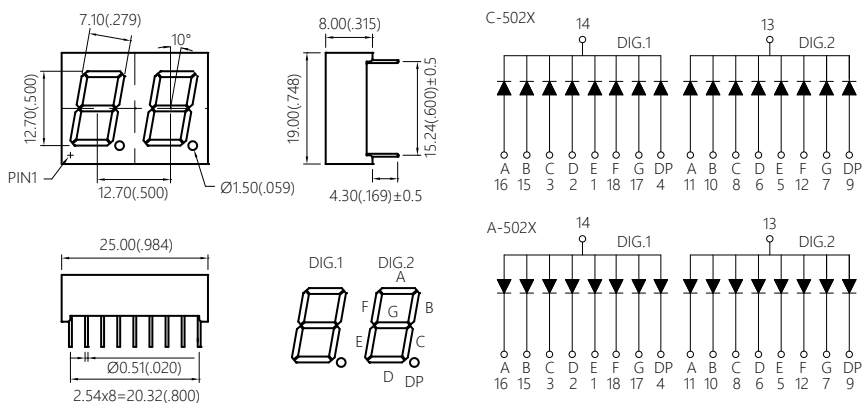
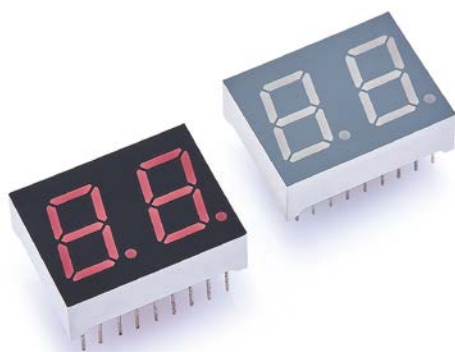
Unit : mm

Common Cathode		Common Anode		Emitting Color	Wavelength λ_d (nm)/CIE (x,y)	Typ. Luminous Intensity I_v (mcd)/Seg.	Forward Current I_F (mA)
Part No	Ref. PN	Part No	Ref. PN				
C-402UB	DKC24UB687G	A-402UB	DKA24UB682G	Blue	465	10	10
C-402G	DKC24G690G	A-402G	DKA24G685G	Yellow Green	570	1.7	10
C-402Y	DKC24Y689G	A-402Y	DKA24Y684G	Yellow	587	1.5	10
C-402E	DKC24E691G	A-402E	DKA24E686G	Super Red	628	1.6	10
C-402SR	DKC24SR688G	A-402SR	DKA24SR683G	Hyper Red	640	5	10



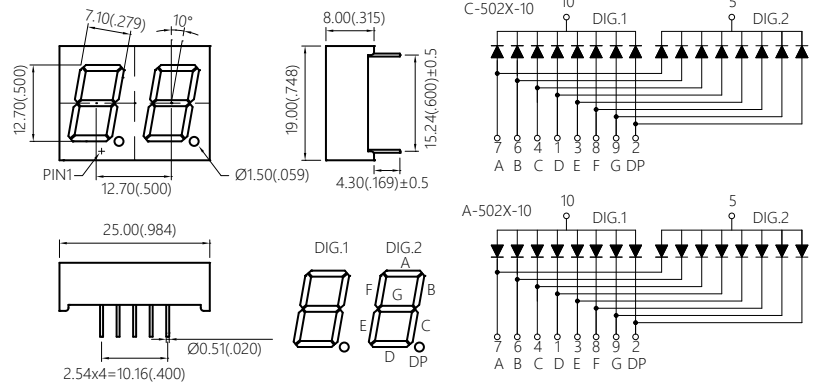
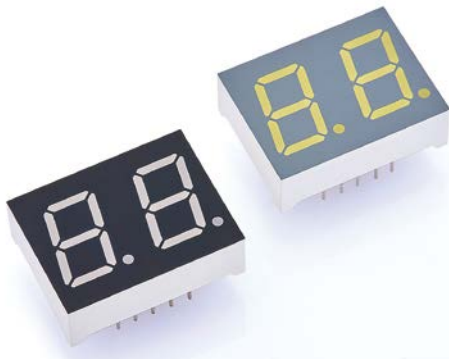
Unit : mm

Common Cathode		Common Anode		Emitting Color	Wavelength λ_d (nm)/CIE (x,y)	Typ. Luminous Intensity I_v (mcd)/Seg.	Forward Current I_F (mA)
Part No	Ref. PN	Part No	Ref. PN				
C-402UB-10	DKC24UB677G	A-402UB-10	DKA24UB672G	Blue	465	10	10
C-402G-10	DKC24G680G	A-402G-10	DKA24G675G	Yellow Green	570	1.7	10
C-402Y-10	DKC24Y679G	A-402Y-10	DKA24Y674G	Yellow	587	1.5	10
C-402E-10	DKC24E681G	A-402E-10	DKA24E676G	Super Red	628	1.6	10
C-402SR-10	DKC24SR678G	A-402SR-10	DKA24SR673G	Hyper Red	640	5	10



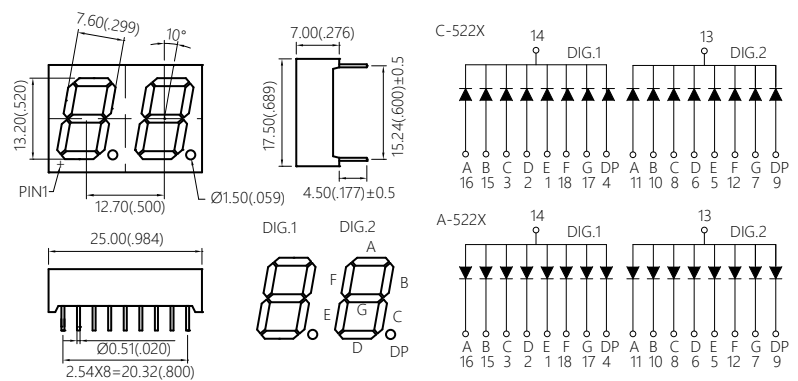
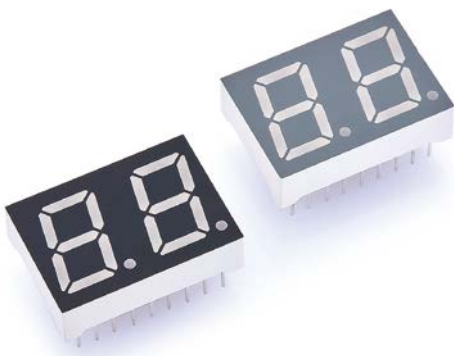
Unit : mm

Common Cathode		Common Anode		Emitting Color	Wavelength λ_d (nm)/CIE (x,y)	Typ. Luminous Intensity I_v (mcd)/Seg.	Forward Current I_F (mA)
Part No	Ref. PN	Part No	Ref. PN				
C-502UB	DKC25UB667G	A-502UB	DKA25UB662G	Blue	465	14	10
C-502G	DKC25G670G	A-502G	DKA25G665G	Yellow Green	570	1.9	10
C-502Y	DKC25Y669G	A-502Y	DKA25Y664G	Yellow	587	1.7	10
C-502E	DKC25E671G	A-502E	DKA25E666G	Super Red	628	1.8	10
C-502SR	DKC25SR668G	A-502SR	DKA25SR663G	Hyper Red	640	8	10



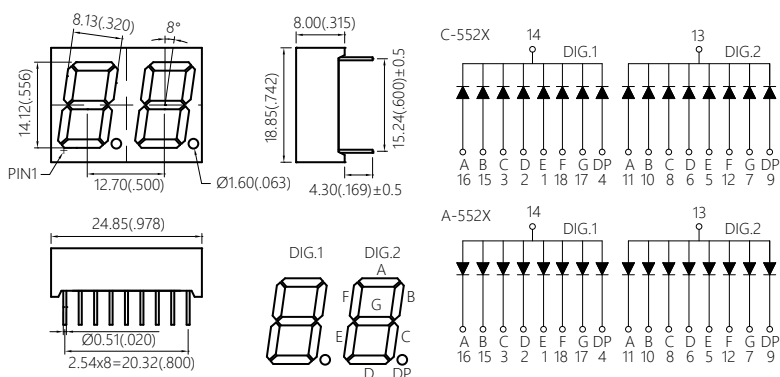
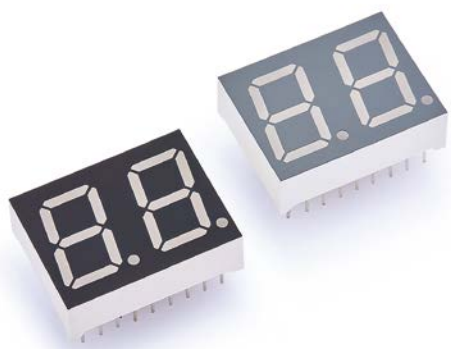
Unit : mm

Common Cathode		Common Anode		Emitting Color	Wavelength λ_d (nm)/CIE (x.y)	Typ. Luminous Intensity I_v (mcd)/Seg.	Forward Current I_F (mA)
Part No	Ref. PN	Part No	Ref. PN				
C-502UB-10	DKC25UB657G	A-502UB-10	DKA25UB652G	Blue	465	14	10
C-502G-10	DKC25G660G	A-502G-10	DKA25G655G	Yellow Green	570	1.9	10
C-502Y-10	DKC25Y659G	A-502Y-10	DKA25Y654G	Yellow	587	1.7	10
C-502E-10	DKC25E661G	A-502E-10	DKA25E656G	Super Red	628	1.8	10
C-502SR-10	DKC25SR658G	A-502SR-10	DKA25SR653G	Hyper Red	640	8	10



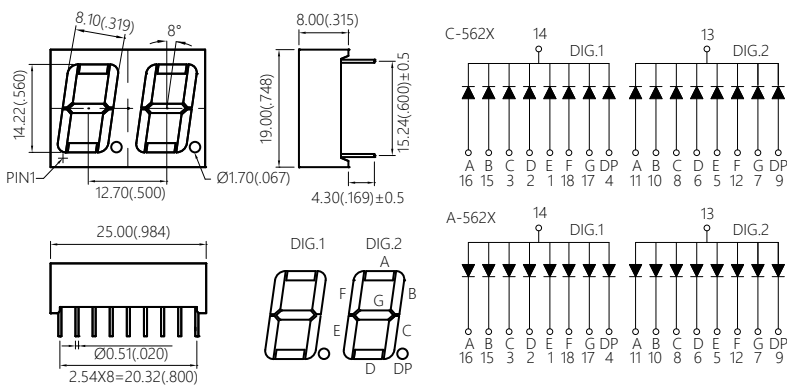
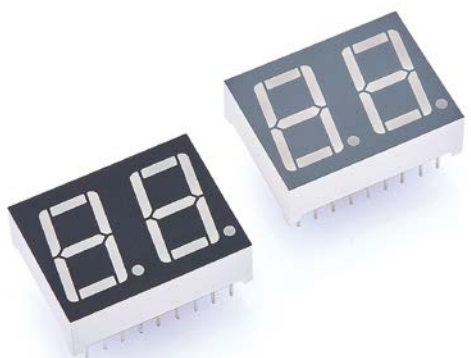
Unit : mm

Common Cathode		Common Anode		Emitting Color	Wavelength λ_d (nm)/CIE (x.y)	Typ. Luminous Intensity I_v (mcd)/Seg.	Forward Current I_F (mA)
Part No	Ref. PN	Part No	Ref. PN				
C-522G	DKC25G650G	A-522G	DKA25G646G	Yellow Green	570	2	10
C-522Y	DKC25Y649G	A-522Y	DKA25Y645G	Yellow	587	1.8	10
C-522E	DKC25E651G	A-522E	DKA25E647G	Super Red	628	1.9	10
C-522SR	DKC25SR648G	A-522SR	DKA25SR644G	Hyper Red	640	10	10



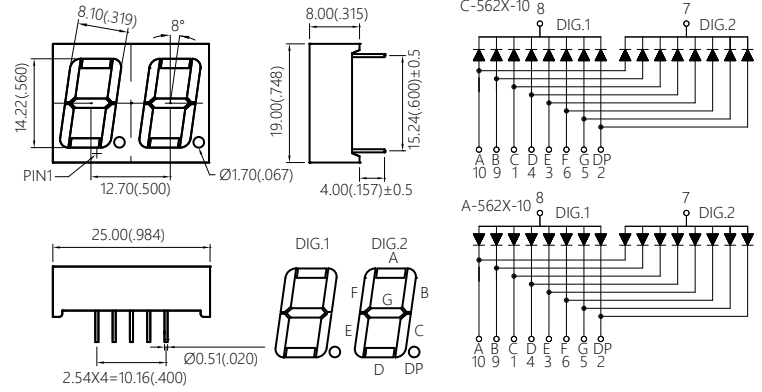
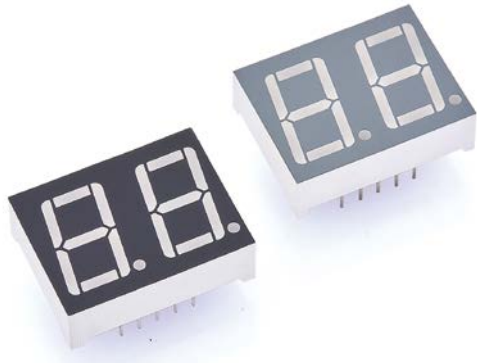
Unit : mm

Common Cathode		Common Anode		Emitting Color	Wavelength λ_d (nm)/CIE (x.y)	Typ. Luminous Intensity I_v (mcd)/Seg.	Forward Current I_F (mA)
Part No	Ref. PN	Part No	Ref. PN				
C-552G	DKC25G642G	A-552G	DKA25G638G	Yellow Green	570	2.1	10
C-552Y	DKC25Y641G	A-552Y	DKA25Y637G	Yellow	587	1.9	10
C-552E	DKC25E643G	A-552E	DKA25E639G	Super Red	628	2	10
C-552SR	DKC25SR640G	A-552SR	DKA25SR636G	Hyper Red	640	12	10



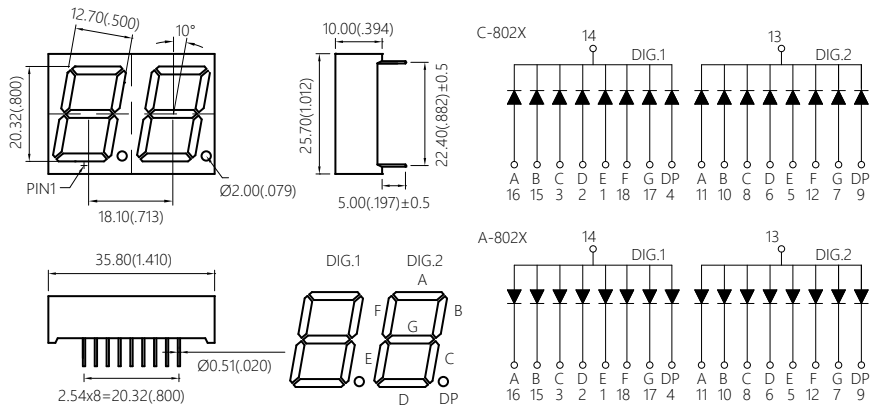
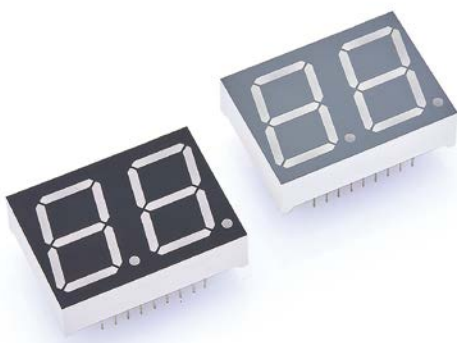
Unit : mm

Common Cathode		Common Anode		Emitting Color	Wavelength λ_d (nm)/CIE (x.y)	Typ. Luminous Intensity I_v (mcd)/Seg.	Forward Current I_F (mA)
Part No	Ref. PN	Part No	Ref. PN				
C-562UB	DKC25UB631G	A-562UB	DKA25UB626G	Blue	465	18	10
C-562G	DKC25G634G	A-562G	DKA25G629G	Yellow Green	570	2.1	10
C-562Y	DKC25Y633G	A-562Y	DKA25Y628G	Yellow	587	1.9	10
C-562E	DKC25E635G	A-562E	DKA25E630G	Super Red	628	2	10
C-562SR	DKC25SR632G	A-562SR	DKA25SR627G	Hyper Red	640	12	10



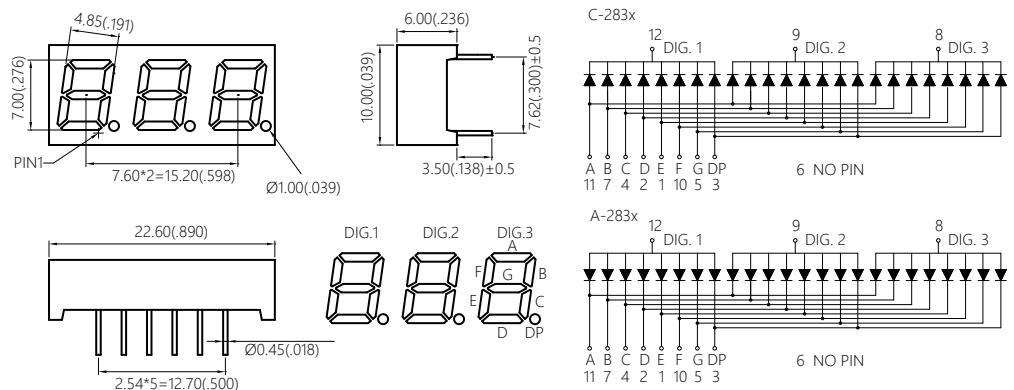
Unit : mm

Common Cathode		Common Anode		Emitting Color	Wavelength λ_d (nm)/CIE (x,y)	Typ. Luminous Intensity I_v (mcd)/Seg.	Forward Current I_F (mA)
Part No	Ref. PN	Part No	Ref. PN				
C-562UB-10	DKC25UB621G	A-562UB-10	DKA25UB616G	Blue	465	18	10
C-562G-10	DKC25G624G	A-562G-10	DKA25G619G	Yellow Green	570	2.1	10
C-562Y-10	DKC25Y623G	A-562Y-10	DKA25Y618G	Yellow	587	1.9	10
C-562E-10	DKC25E625G	A-562E-10	DKA25E620G	Super Red	628	2	10
C-562SR-10	DKC25SR622G	A-562SR-10	DKA25SR617G	Hyper Red	640	12	10



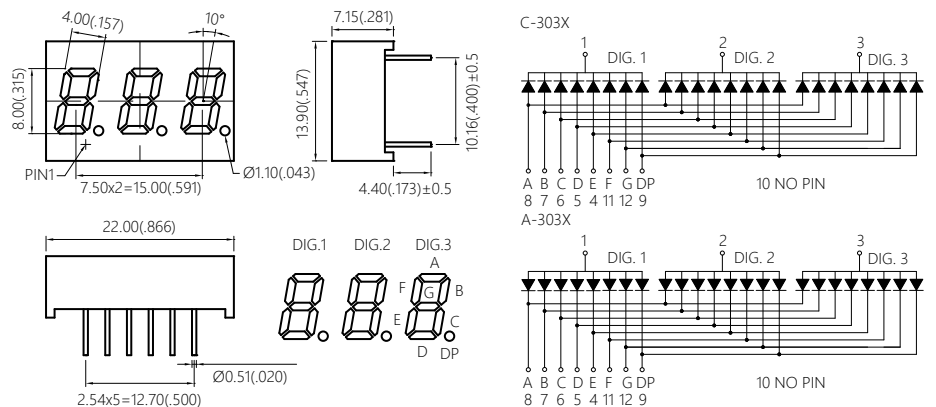
Unit : mm

Common Cathode		Common Anode		Emitting Color	Wavelength λ_d (nm)/CIE (x,y)	Typ. Luminous Intensity I_v (mcd)/Seg.	Forward Current I_F (mA)
Part No	Ref. PN	Part No	Ref. PN				
C-802UB	DKC28UB611G	A-802UB	DKA28UB606G	Blue	465	28	10
C-802G	DKC28G614G	A-802G	DKA28G609G	Yellow Green	570	2.6	10
C-802Y	DKC28Y613G	A-802Y	DKA28Y608G	Yellow	587	2.4	10
C-802E	DKC28E615G	A-802E	DKA28E610G	Super Red	628	2.5	10
C-802SR	DKC28SR612G	A-802SR	DKA28SR607G	Hyper Red	640	20	10



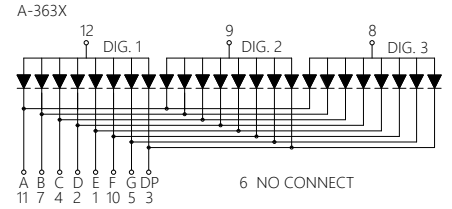
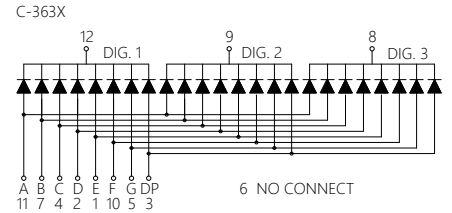
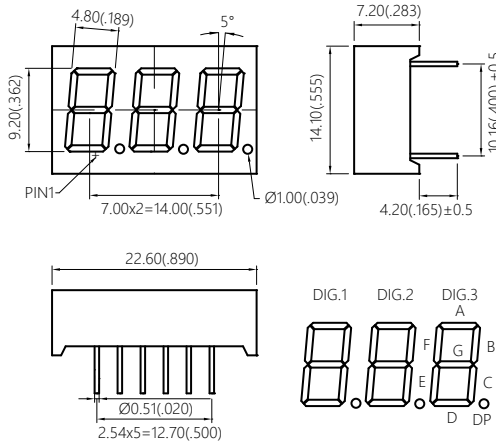
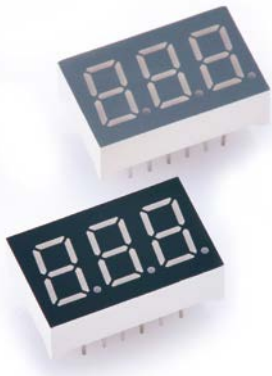
Unit : mm

Common Cathode		Common Anode		Emitting Color	Wavelength λ_d (nm)/CIE (x,y)	Typ. Luminous Intensity I_v (mcd)/Seg.	Forward Current I_F (mA)
Part No	Ref. PN	Part No	Ref. PN				
C-283G	DKC32G604G	A-283G	DKA32G600G	Yellow Green	570	1.3	10
C-283Y	DKC32Y603G	A-283Y	DKA32Y599G	Yellow	587	1.1	10
C-283E	DKC32E605G	A-283E	DKA32E601G	Super Red	628	1.2	10
C-283SR	DKC32SR602G	A-283SR	DKA32SR598G	Hyper Red	640	4	10



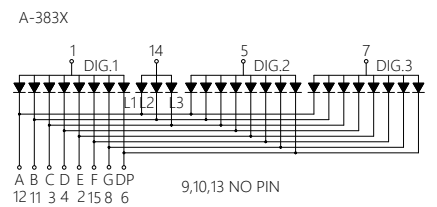
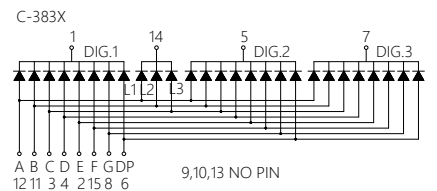
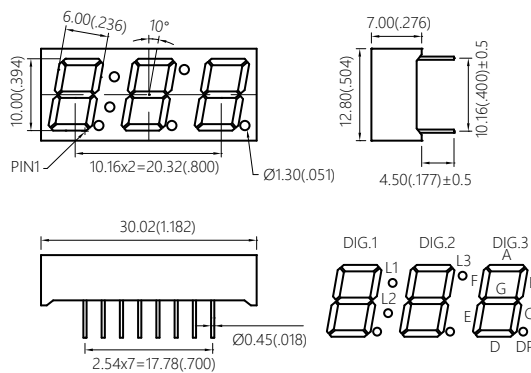
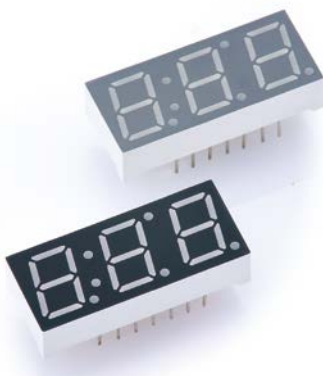
Unit : mm

Common Cathode		Common Anode		Emitting Color	Wavelength λ_d (nm)/CIE (x,y)	Typ. Luminous Intensity I_v (mcd)/Seg.	Forward Current I_F (mA)
Part No	Ref. PN	Part No	Ref. PN				
C-303UB	DKC33UB593G	A-303UB	DKA33UB588G	Blue	465	8	10
C-303G	DKC33G596G	A-303G	DKA33G591G	Yellow Green	570	1.4	10
C-303Y	DKC33Y595G	A-303Y	DKA33Y590G	Yellow	587	1.2	10
C-303E	DKC33E597G	A-303E	DKA33E592G	Super Red	628	1.3	10
C-303SR	DKC33SR594G	A-303SR	DKA33SR589G	Hyper Red	640	4.2	10



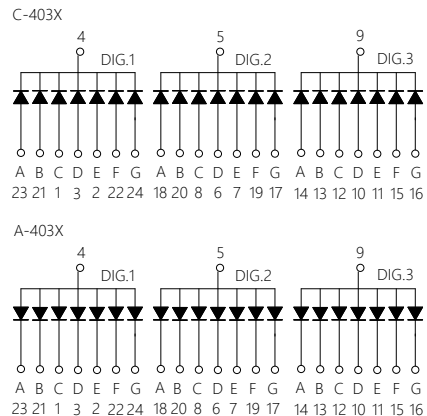
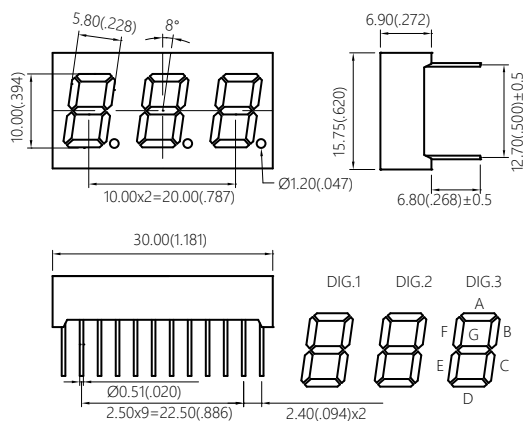
Unit : mm

Common Cathode		Common Anode		Emitting Color	Wavelength λ_d (nm)/CIE (x.y)	Typ. Luminous Intensity I_v (mcd)/Seg.	Forward Current I_F (mA)
Part No	Ref. PN	Part No	Ref. PN				
C-363UB	DKC33UB583G	A-363UB	DKA33UB578G	Blue	465	9	10
C-363G	DKC33G586G	A-363G	DKA33G581G	Yellow Green	570	1.6	10
C-363Y	DKC33Y585G	A-363Y	DKA33Y580G	Yellow	587	1.4	10
C-363E	DKC33E587G	A-363E	DKA33E582G	Super Red	628	1.5	10
C-363SR	DKC33SR584G	A-363SR	DKA33SR579G	Hyper Red	640	4.6	10



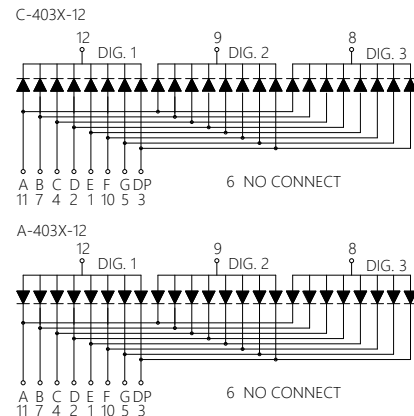
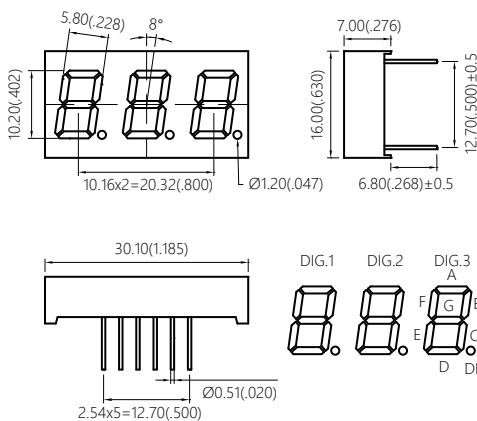
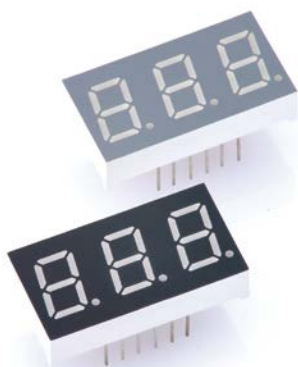
Unit : mm

Common Cathode		Common Anode		Emitting Color	Wavelength λ_d (nm)/CIE (x.y)	Typ. Luminous Intensity I_v (mcd)/Seg.	Forward Current I_F (mA)
Part No	Ref. PN	Part No	Ref. PN				
C-383G	DKC33G576G	A-383G	DKA33G572G	Yellow Green	570	1.7	10
C-383Y	DKC33Y575G	A-383Y	DKA33Y571G	Yellow	587	1.5	10
C-383E	DKC33E577G	A-383E	DKA33E573G	Super Red	628	1.6	10
C-383SR	DKC33SR574G	A-383SR	DKA33SR570G	Hyper Red	640	4.8	10



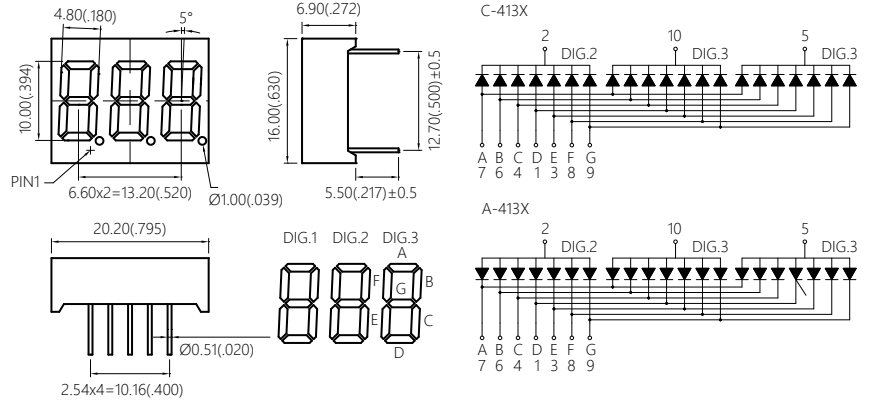
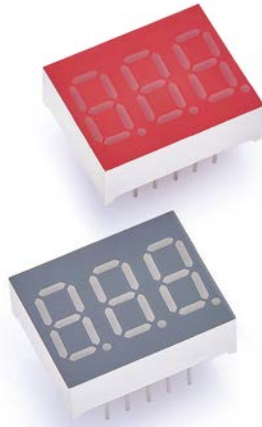
Unit : mm

Common Cathode		Common Anode		Emitting Color	Wavelength λ_d (nm)/CIE (x.y)	Typ. Luminous Intensity I_v (mcd)/Seg.	Forward Current I_F (mA)
Part No	Ref. PN	Part No	Ref. PN				
C-403UB	DKC34UB565G	A-403UB	DKA34UB560G	Blue	465	10	10
C-403G	DKC34G568G	A-403G	DKA34G563G	Yellow Green	570	1.7	10
C-403Y	DKC34Y567G	A-403Y	DKA34Y562G	Yellow	587	1.5	10
C-403E	DKC34E569G	A-403E	DKA34E564G	Super Red	628	1.6	10
C-403SR	DKC34SR566G	A-403SR	DKA34SR561G	Hyper Red	640	5	10



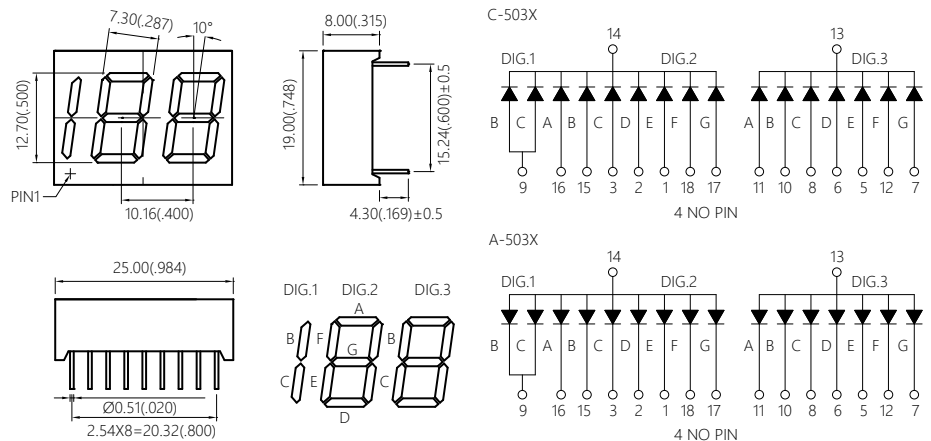
Unit : mm

Common Cathode		Common Anode		Emitting Color	Wavelength λ_d (nm)/CIE (x.y)	Typ. Luminous Intensity I_v (mcd)/Seg.	Forward Current I_F (mA)
Part No	Ref. PN	Part No	Ref. PN				
C-403UB-12	DKC34UB555G	A-403UB-12	DKA34UB550G	Blue	465	10	10
C-403G-12	DKC34G558G	A-403G-12	DKA34G553G	Yellow Green	570	1.7	10
C-403Y-12	DKC34Y557G	A-403Y-12	DKA34Y552G	Yellow	587	1.5	10
C-403E-12	DKC34E559G	A-403E-12	DKA34E554G	Super Red	628	1.6	10
C-403SR-12	DKC34SR556G	A-403SR-12	DKA34SR551G	Hyper Red	640	5	10



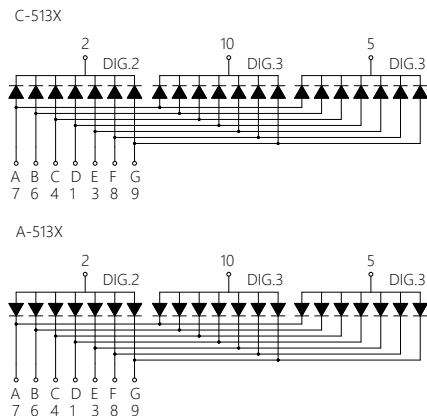
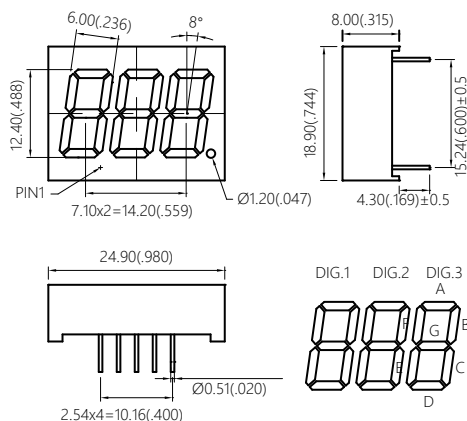
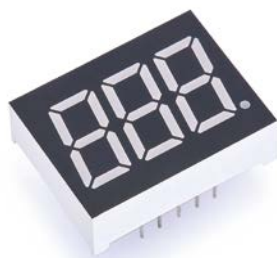
Unit : mm

Common Cathode		Common Anode		Emitting Color	Wavelength λ_d (nm)/CIE (x.y)	Typ. Luminous Intensity I_v (mcd)/Seg.	Forward Current I_F (mA)
Part No	Ref. PN	Part No	Ref. PN				
C-413G	DKC34G548G	A-413G	DKA34G544G	Yellow Green	570	1.7	10
C-413Y	DKC34Y547G	A-413Y	DKA34Y543G	Yellow	587	1.5	10
C-413E	DKC34E549G	A-413E	DKA34E545G	Super Red	628	1.6	10
C-413SR	DKC34SR546G	A-413SR	DKA34SR542G	Hyper Red	640	5	10



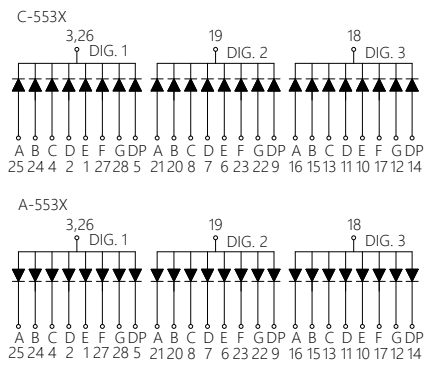
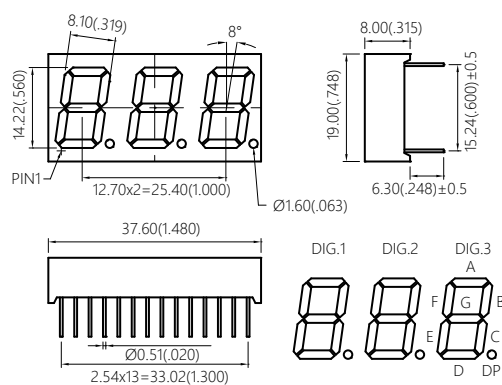
Unit : mm

Common Cathode		Common Anode		Emitting Color	Wavelength λ_d (nm)/CIE (x.y)	Typ. Luminous Intensity I_v (mcd)/Seg.	Forward Current I_F (mA)
Part No	Ref. PN	Part No	Ref. PN				
C-503G	DKC35G540G	A-503G	DKA35G536G	Yellow Green	570	1.9	10
C-503Y	DKC35Y539G	A-503Y	DKA35Y535G	Yellow	587	1.7	10
C-503E	DKC35E541G	A-503E	DKA35E537G	Super Red	628	1.8	10
C-503SR	DKC35SR538G	A-503SR	DKA35SR534G	Hyper Red	640	8	10



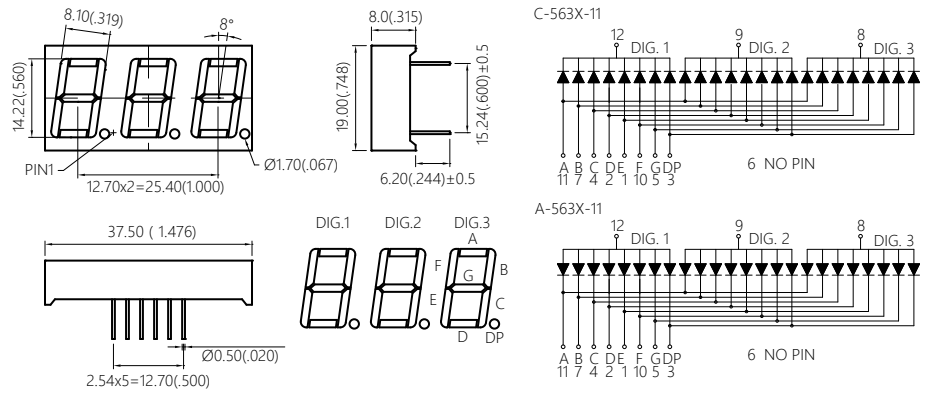
Unit : mm

Common Cathode		Common Anode		Emitting Color	Wavelength λ_d (nm)/CIE (x.y)	Typ. Luminous Intensity I_v (mcd)/Seg.	Forward Current I_F (mA)
Part No	Ref. PN	Part No	Ref. PN				
C-513G	DKC35G532G	A-513G	DKA35G528G	Yellow Green	570	1.9	10
C-513Y	DKC35Y531G	A-513Y	DKA35Y527G	Yellow	587	1.7	10
C-513E	DKC35E533G	A-513E	DKA35E529G	Super Red	628	1.8	10
C-513SR	DKC35SR530G	A-513SR	DKA35SR526G	Hyper Red	640	8	10



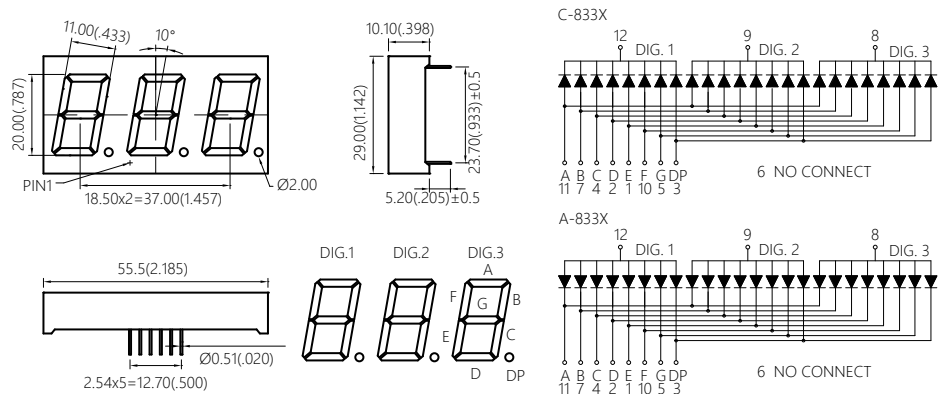
Unit : mm

Common Cathode		Common Anode		Emitting Color	Wavelength λ_d (nm)/CIE (x.y)	Typ. Luminous Intensity I_v (mcd)/Seg.	Forward Current I_F (mA)
Part No	Ref. PN	Part No	Ref. PN				
C-553G	DKC35G524G	A-553G	DKA35G520G	Yellow Green	570	2.1	10
C-553Y	DKC35Y523G	A-553Y	DKA35Y519G	Yellow	587	1.9	10
C-553E	DKC35E525G	A-553E	DKA35E521G	Super Red	628	2	10
C-553SR	DKC35SR522G	A-553SR	DKA35SR518G	Hyper Red	640	12	10



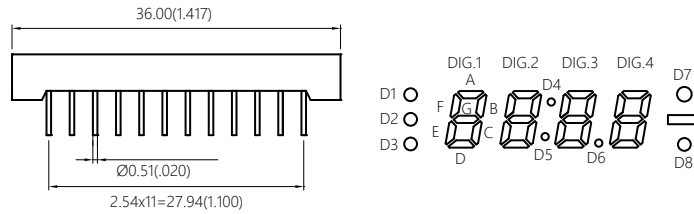
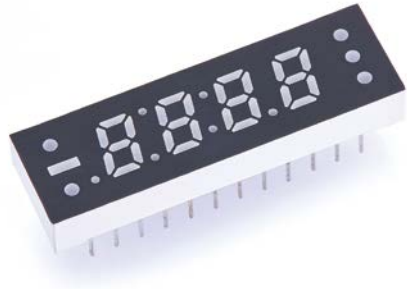
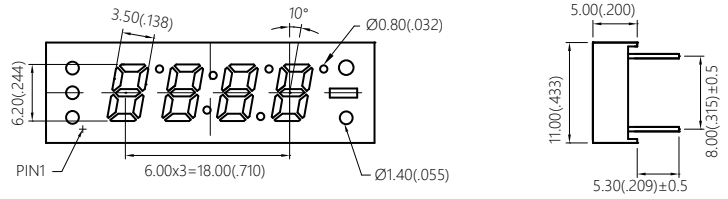
Unit : mm

Common Cathode		Common Anode		Emitting Color	Wavelength λ_d (nm)/CIE (x.y)	Typ. Luminous Intensity I_v (mcd)/Seg.	Forward Current I_F (mA)
Part No	Ref. PN	Part No	Ref. PN				
C-563UB-11	DKC35UB513G	A-563UB-11	DKA35UB508G	Blue	465	18	10
C-563G-11	DKC35G516G	A-563G-11	DKA35G511G	Yellow Green	570	2.1	10
C-563Y-11	DKC35Y515G	A-563Y-11	DKA35Y510G	Yellow	587	1.9	10
C-563E-11	DKC35E517G	A-563E-11	DKA35E512G	Super Red	628	2	10
C-563SR-11	DKC35SR514G	A-563SR-11	DKA35SR509G	Hyper Red	640	12	10

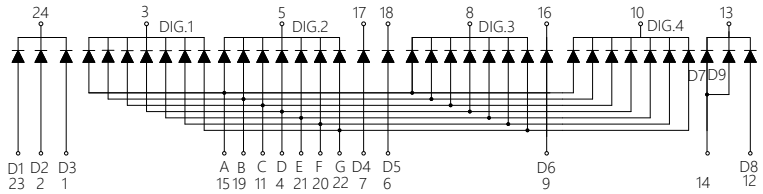


Unit : mm

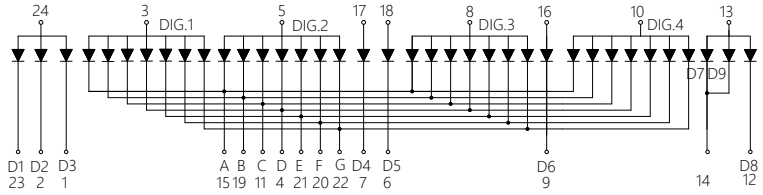
Common Cathode		Common Anode		Emitting Color	Wavelength λ_d (nm)/CIE (x.y)	Typ. Luminous Intensity I_v (mcd)/Seg.	Forward Current I_F (mA)
Part No	Ref. PN	Part No	Ref. PN				
C-833G	DKC38G506G	A-833G	DKA38G502G	Yellow Green	570	2.6	10
C-833Y	DKC38Y505G	A-833Y	DKA38Y501G	Yellow	587	2.4	10
C-833E	DKC38E507G	A-833E	DKA38E503G	Super Red	628	2.5	10
C-833SR	DKC38SR504G	A-833SR	DKA38SR500G	Hyper Red	640	20	10



C-244CX

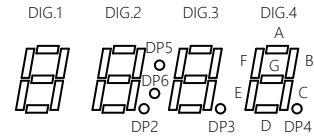
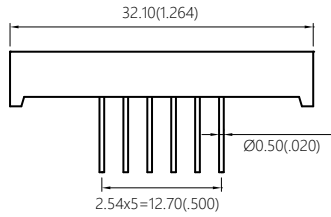
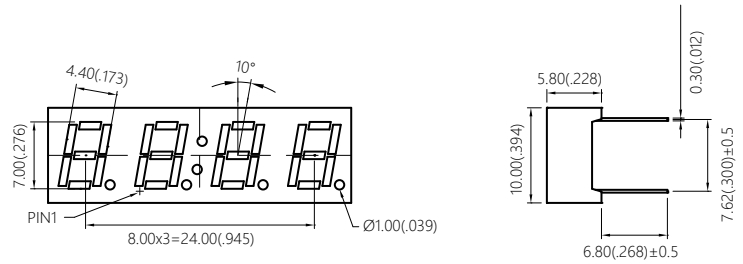


A-244CX

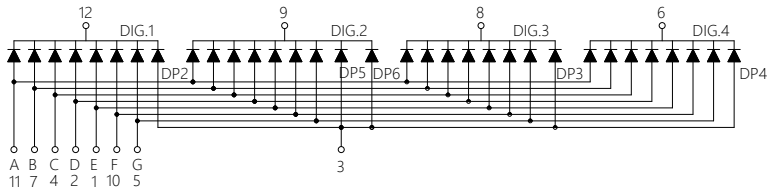


Unit : mm

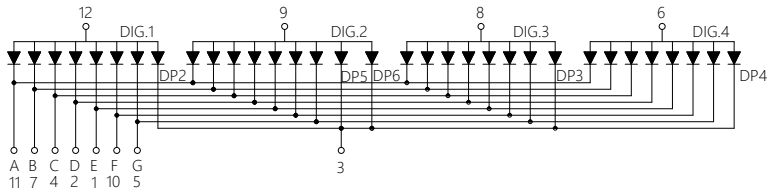
Common Cathode		Common Anode		Emitting Color	Wavelength λ_d (nm)/CIE (x,y)	Typ. Luminous Intensity I_v (mcd)/Seg.	Forward Current I_F (mA)
Part No	Ref. PN	Part No	Ref. PN				
C-244CG	DKC42G498G	A-244CG	DKA42G494G	Yellow Green	570	1.2	10
C-244CY	DKC42Y497G	A-244CY	DKA42Y493G	Yellow	587	1	10
C-244CE	DKC42E499G	A-244CE	DKA42E495G	Super Red	628	1.1	10
C-244CSR	DKC42SR496G	A-244CSR	DKA42SR492G	Hyper Red	640	4	10







C-284CX-12

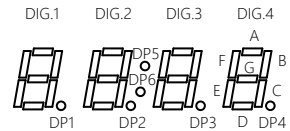
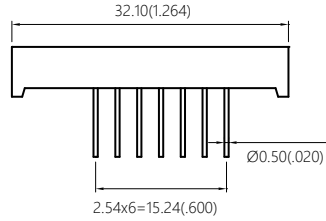
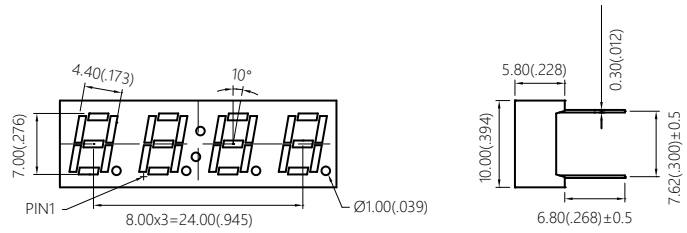


A-284CX-12

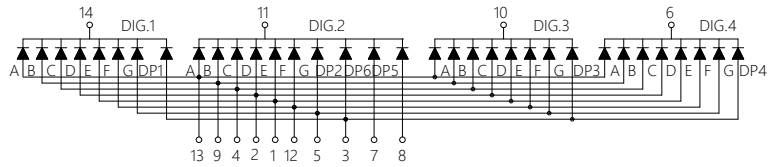


Unit : mm

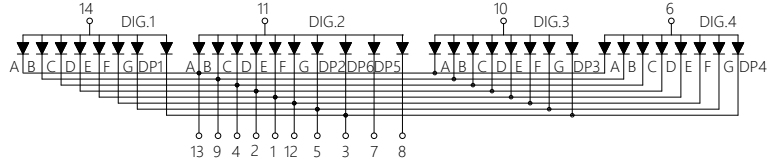
Common Cathode		Common Anode		Emitting Color	Wavelength λ _d (nm)/CIE (x,y)	Typ. Luminous Intensity I _v (mcd)/Seg.	Forward Current I _F (mA)
Part No	Ref. PN	Part No	Ref. PN				
C-284CG-12	DKC42G490G	A-284CG-12	DKA42G486G	 Yellow Green	570	1.4	10
C-284CY-12	DKC42Y489G	A-284CY-12	DKA42Y485G	 Yellow	587	1.2	10
C-284CE-12	DKC42E491G	A-284CE-12	DKA42E487G	 Super Red	628	1.3	10
C-284CSR-12	DKC42SR488G	A-284CSR-12	DKA42SR484G	 Hyper Red	640	4.2	10



C-284CX-14

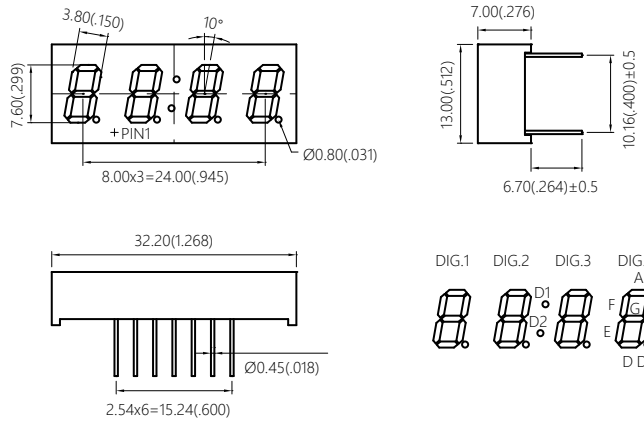
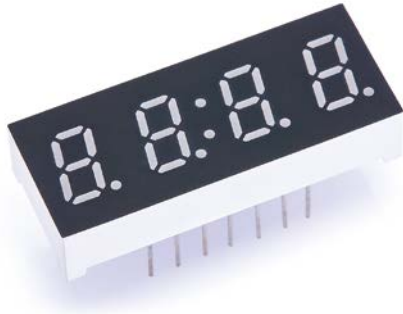


A-284CX-14

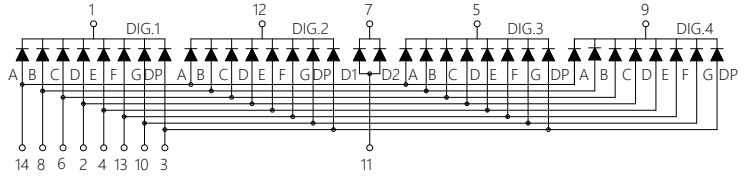


Unit : mm

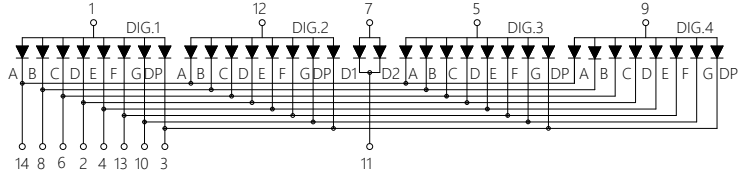
Common Cathode		Common Anode		Emitting Color	Wavelength λ_d (nm)/CIE (x,y)	Typ. Luminous Intensity I_v (mcd)/Seg.	Forward Current I_F (mA)
Part No	Ref. PN	Part No	Ref. PN				
C-284CG-14	DKC42G482G	A-284CG-14	DKA42G478G	Yellow Green	570	1.4	10
C-284CY-14	DKC42Y481G	A-284CY-14	DKA42Y477G	Yellow	587	1.2	10
C-284CE-14	DKC42E483G	A-284CE-14	DKA42E479G	Super Red	628	1.3	10
C-284CSR-14	DKC42SR480G	A-284CSR-14	DKA42SR476G	Hyper Red	640	4.2	10



C-3G4X

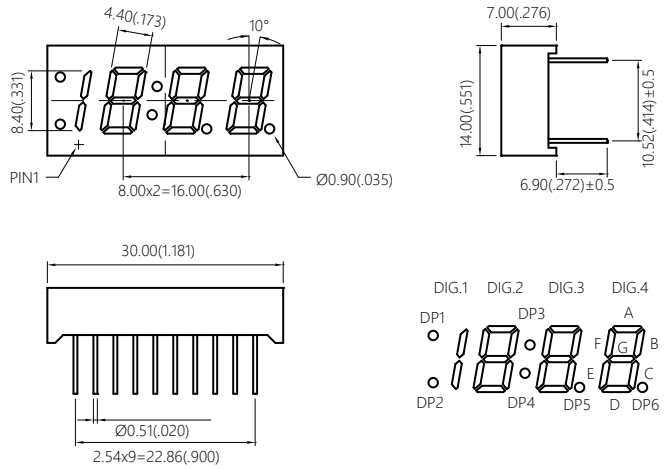
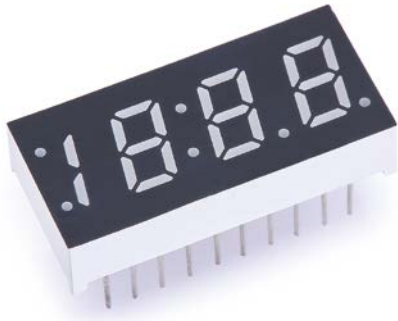


A-3G4X

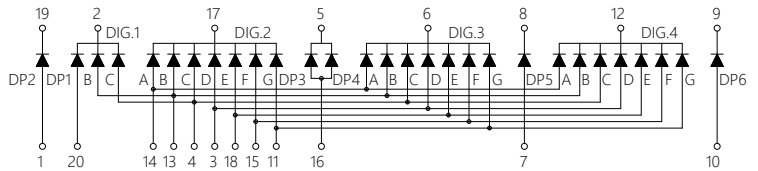


Unit : mm

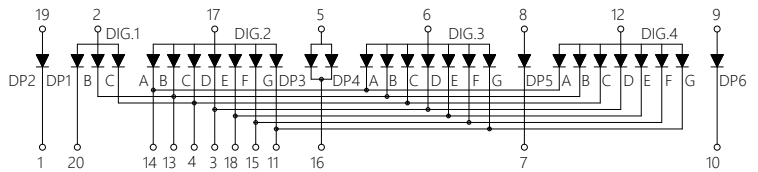
Common Cathode		Common Anode		Emitting Color	Wavelength λ_d (nm)/CIE (x,y)	Typ. Luminous Intensity I_v (mcd)/Seg.	Forward Current I_F (mA)
Part No	Ref. PN	Part No	Ref. PN				
C-3G4G	DKC43G474G	A-3G4G	DKA43G470G	Yellow Green	570	1.4	10
C-3G4Y	DKC43Y473G	A-3G4Y	DKA43Y469G	Yellow	587	1.2	10
C-3G4E	DKC43E475G	A-3G4E	DKA43E471G	Super Red	628	1.3	10
C-3G4SR	DKC43SR472G	A-3G4SR	DKA43SR468G	Hyper Red	640	4.2	10



C-334CX-20

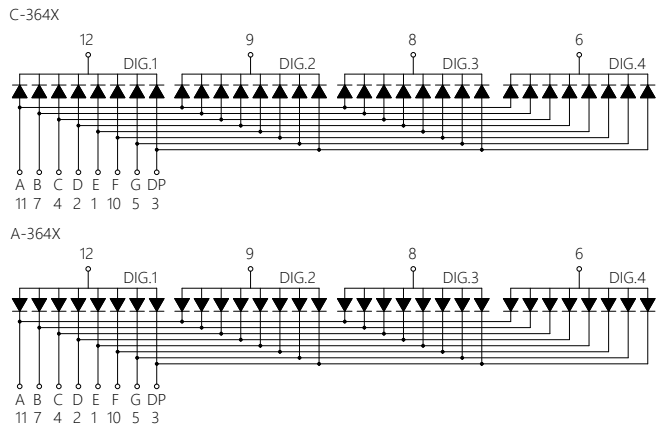
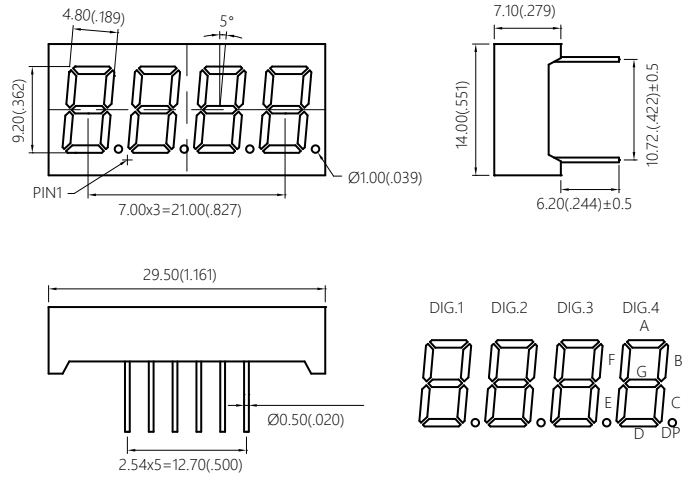
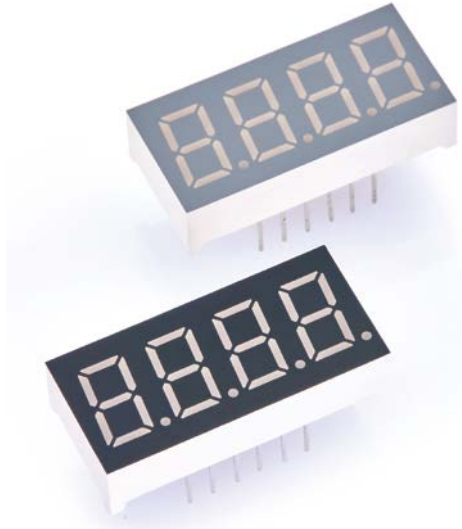


A-334CX-20



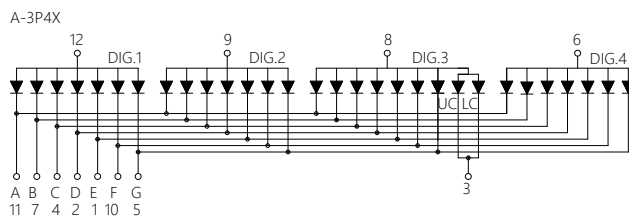
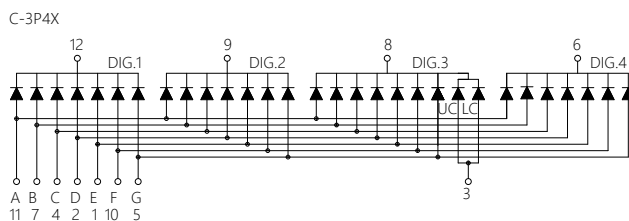
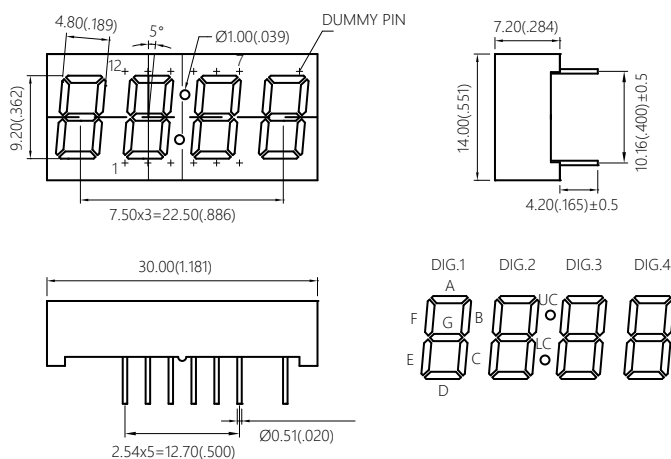
Unit : mm

Common Cathode		Common Anode		Emitting Color	Wavelength λ_d (nm)/CIE (x,y)	Typ. Luminous Intensity I_v (mcd)/Seg.	Forward Current I_F (mA)
Part No	Ref. PN	Part No	Ref. PN				
C-334CG-20	DKC43G466G	A-334CG-20	DKA43G462G	Yellow Green	570	1.5	10
C-334CY-20	DKC43Y465G	A-334CY-20	DKA43Y461G	Yellow	587	1.3	10
C-334CE-20	DKC43E467G	A-334CE-20	DKA43E463G	Super Red	628	1.4	10
C-334CSR-20	DKC43SR464G	A-334CSR-20	DKA43SR460G	Hyper Red	640	4.4	10



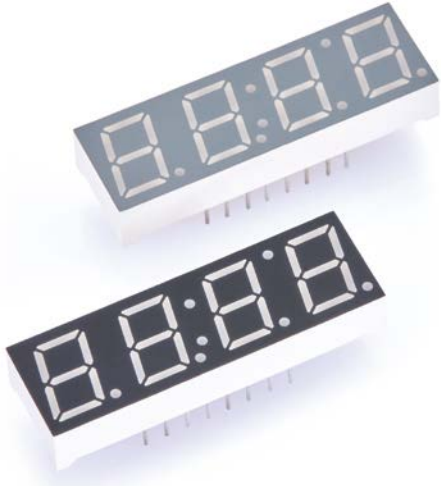
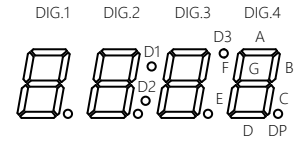
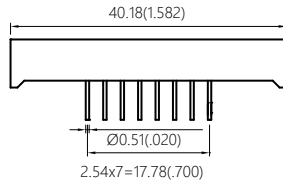
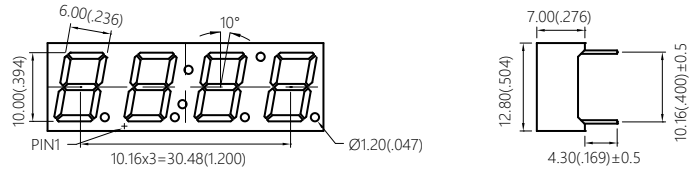
Unit : mm

Common Cathode		Common Anode		Emitting Color	Wavelength λ_d (nm)/CIE (x.y)	Typ. Luminous Intensity I_v (mcd)/Seg.	Forward Current I_F (mA)
Part No	Ref. PN	Part No	Ref. PN				
C-364UB	DKC43UB455G	A-364UB	DKA43UB450G	Blue	465	9	10
C-364G	DKC43G458G	A-364G	DKA43G453G	Yellow Green	570	1.6	10
C-364Y	DKC43Y457G	A-364Y	DKA43Y452G	Yellow	587	1.4	10
C-364E	DKC43E459G	A-364E	DKA43E454G	Super Red	628	1.5	10
C-364SR	DKC43SR456G	A-364SR	DKA43SR451G	Hyper Red	640	4.6	10

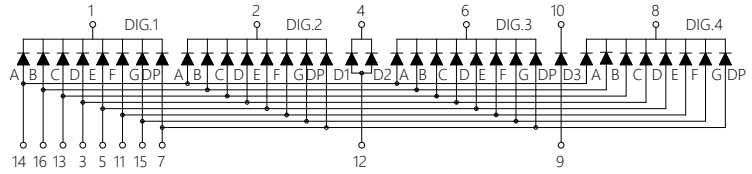


Unit : mm

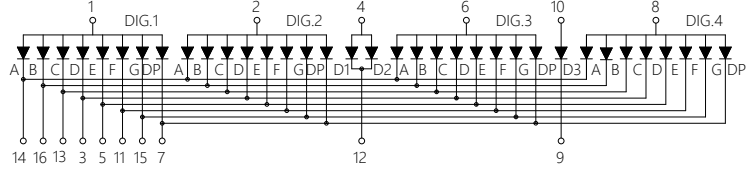
Common Cathode		Common Anode		Emitting Color	Wavelength λ_d (nm)/CIE (x,y)	Typ. Luminous Intensity I_v (mcd)/Seg.	Forward Current I_F (mA)
Part No	Ref. PN	Part No	Ref. PN				
C-3P4UB	DKC43UB435G	A-3P4UB	DKA43UB430G	Blue	465	9	10
C-3P4G	DKC43G438G	A-3P4G	DKA43G433G	Yellow Green	570	1.6	10
C-3P4Y	DKC43Y437G	A-3P4Y	DKA43Y432G	Yellow	587	1.4	10
C-3P4E	DKC43E439G	A-3P4E	DKA43E434G	Super Red	628	1.5	10
C-3P4SR	DKC43SR436G	A-3P4SR	DKA43SR431G	Hyper Red	640	4.6	10



C-394X

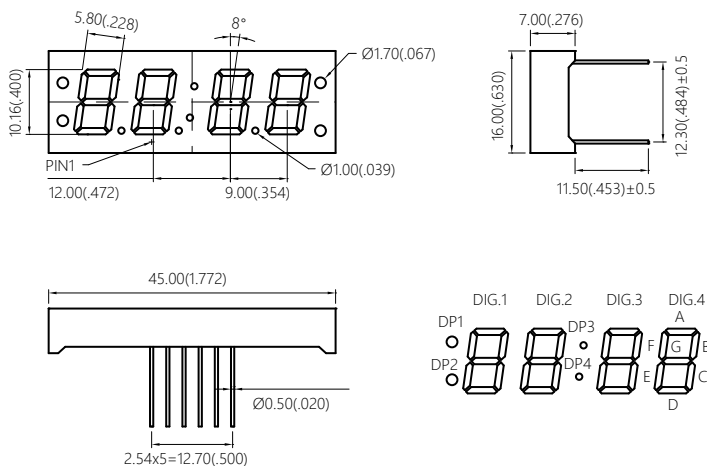


A-394X

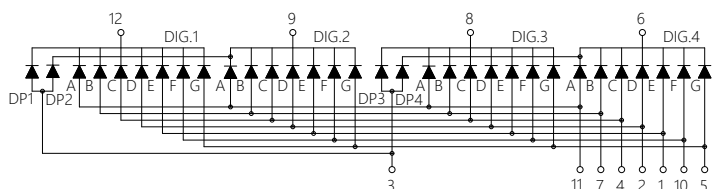


Unit : mm

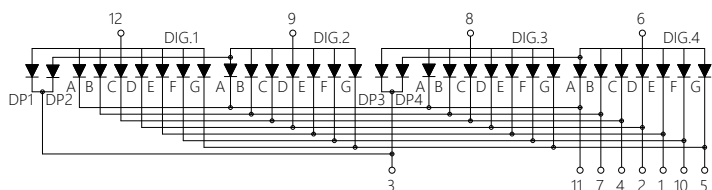
Common Cathode		Common Anode		Emitting Color	Wavelength λ_d (nm)/CIE (x.y)	Typ. Luminous Intensity I_v (mcd)/Seg.	Forward Current I_F (mA)
Part No	Ref. PN	Part No	Ref. PN				
C-394UB	DKC43UB445G	A-394UB	DKA43UB440G	Blue	465	12	10
C-394G	DKC43G448G	A-394G	DKA43G443G	Yellow Green	570	1.7	10
C-394Y	DKC43Y447G	A-394Y	DKA43Y442G	Yellow	587	1.5	10
C-394E	DKC43E449G	A-394E	DKA43E444G	Super Red	628	1.6	10
C-394SR	DKC43SR446G	A-394SR	DKA43SR441G	Hyper Red	640	4.8	10



C-404CX

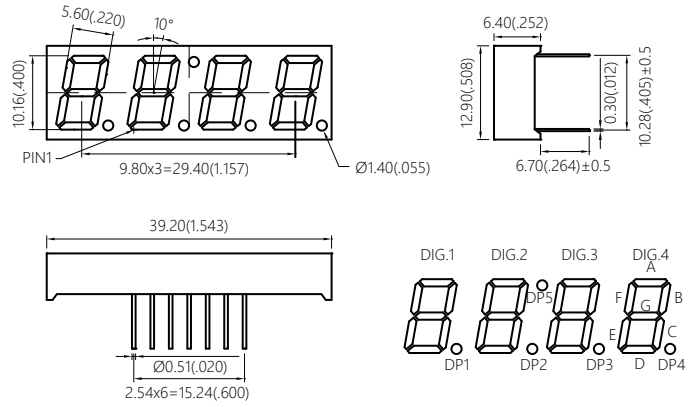


A-404CX

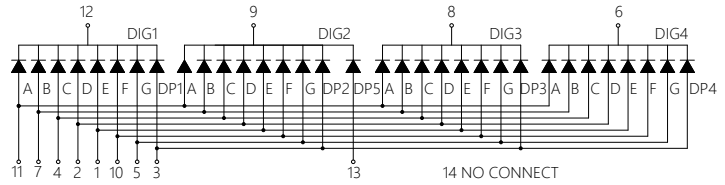


Unit : mm

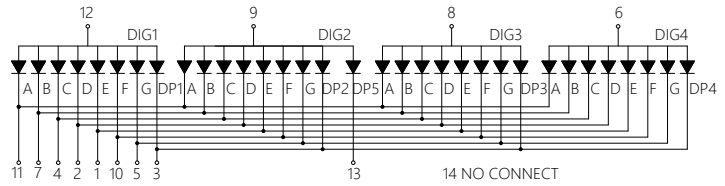
Common Cathode		Common Anode		Emitting Color	Wavelength λ_d (nm)/CIE (x,y)	Typ. Luminous Intensity I_v (mcd)/Seg.	Forward Current I_F (mA)
Part No	Ref. PN	Part No	Ref. PN				
C-404CUB	DKC44UB425G	A-404CUB	DKA44UB420G	Blue	465	10	10
C-404CG	DKC44G428G	A-404CG	DKA44G423G	Yellow Green	570	1.7	10
C-404CY	DKC44Y427G	A-404CY	DKA44Y422G	Yellow	587	1.5	10
C-404CE	DKC44E429G	A-404CE	DKA44E424G	Super Red	628	1.6	10
C-404CSR	DKC44SR426G	A-404CSR	DKA44SR421G	Hyper Red	640	5	10



C-4A4X

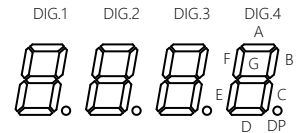
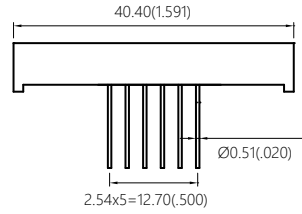
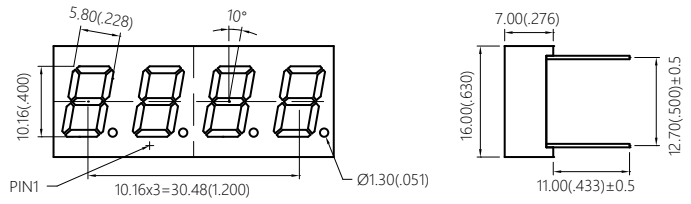
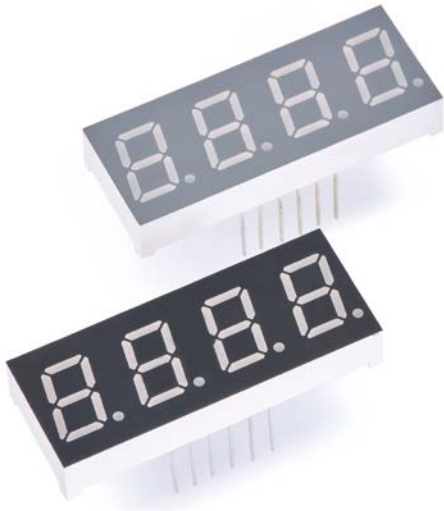


A-4A4X

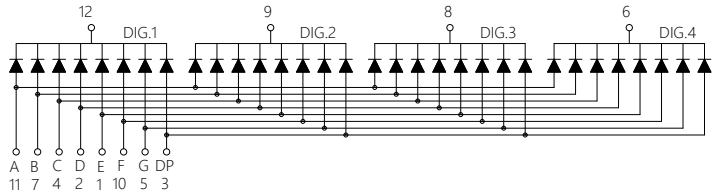


Unit : mm

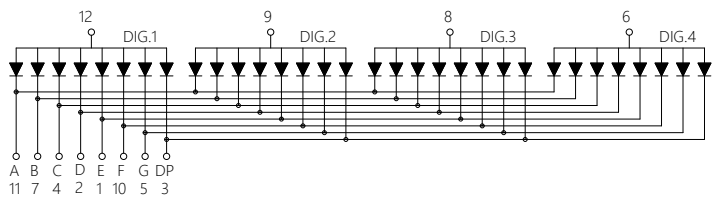
Common Cathode		Common Anode		Emitting Color	Wavelength λ_d (nm)/CIE (x.y)	Typ. Luminous Intensity I_v (mcd)/Seg.	Forward Current I_F (mA)
Part No	Ref. PN	Part No	Ref. PN				
C-4A4UB	DKC44UB415G	A-4A4UB	DKA44UB410G	Blue	465	10	10
C-4A4G	DKC44G418G	A-4A4G	DKA44G413G	Yellow Green	570	1.7	10
C-4A4Y	DKC44Y417G	A-4A4Y	DKA44Y412G	Yellow	587	1.5	10
C-4A4E	DKC44E419G	A-4A4E	DKA44E414G	Super Red	628	1.6	10
C-4A4SR	DKC44SR416G	A-4A4SR	DKA44SR411G	Hyper Red	640	5	10



C-4N4X

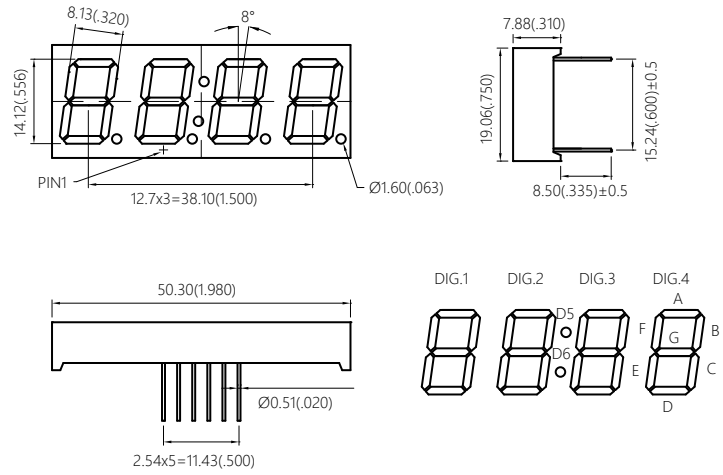


A-4N4X

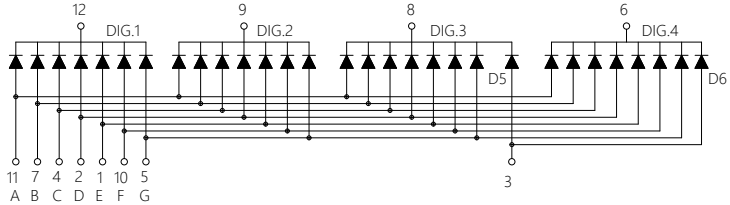


Unit : mm

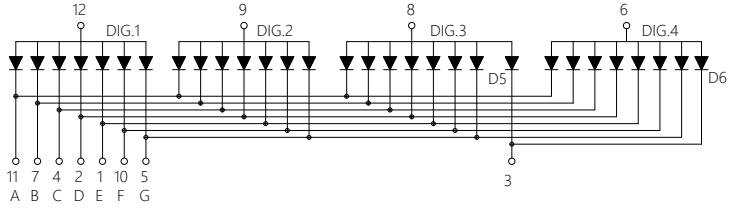
Common Cathode		Common Anode		Emitting Color	Wavelength λ_d (nm)/CIE (x,y)	Typ. Luminous Intensity I_v (mcd)/Seg.	Forward Current I_F (mA)
Part No	Ref. PN	Part No	Ref. PN				
C-4N4UB	DKC44UB405G	A-4N4UB	DKA44UB400G	Blue	465	10	10
C-4N4G	DKC44G408G	A-4N4G	DKA44G403G	Yellow Green	570	1.7	10
C-4N4Y	DKC44Y407G	A-4N4Y	DKA44Y402G	Yellow	587	1.5	10
C-4N4E	DKC44E409G	A-4N4E	DKA44E404G	Super Red	628	1.6	10
C-4N4SR	DKC44SR406G	A-4N4SR	DKA44SR401G	Hyper Red	640	5	10







C-554CX-12

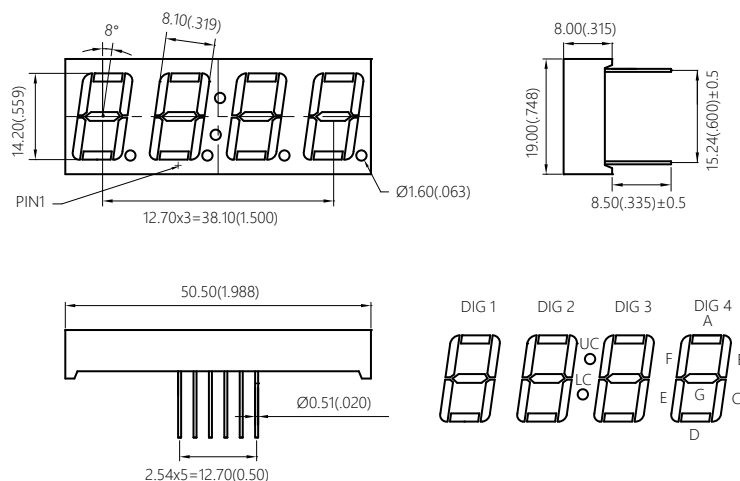


A-554CX-12

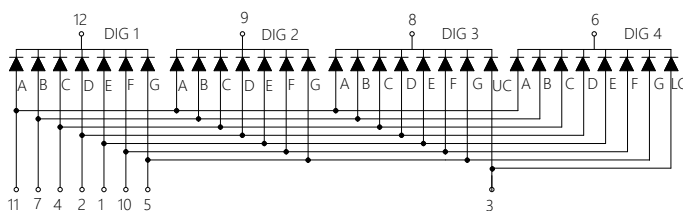


Unit : mm

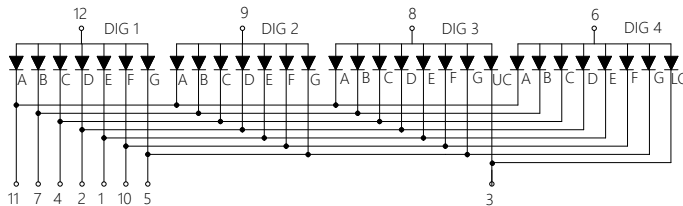
Common Cathode		Common Anode		Emitting Color	Wavelength λ_d (nm)/CIE (x.y)	Typ. Luminous Intensity I_v (mcd)/Seg.	Forward Current I_F (mA)
Part No	Ref. PN	Part No	Ref. PN				
C-554CG-12	DKC45G398G	A-554CG-12	DKA45G394G	 Yellow Green	570	2.1	10
C-554CY-12	DKC45Y397G	A-554CY-12	DKA45Y393G	 Yellow	587	1.9	10
C-554CE-12	DKC45E399G	A-554CE-12	DKA45E395G	 Super Red	628	2	10
C-554CSR-12	DKC45SR396G	A-554CSR-12	DKA45SR392G	 Hyper Red	640	12	10



C-5P4X

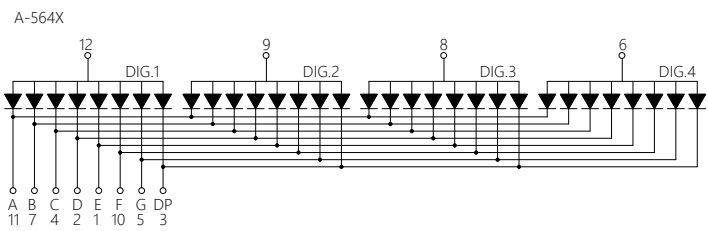
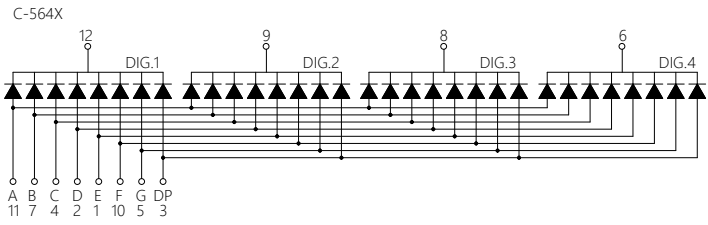
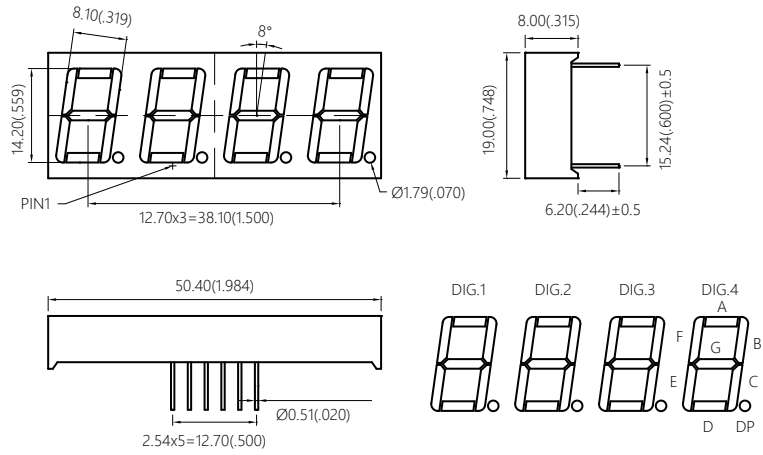


A-5P4X



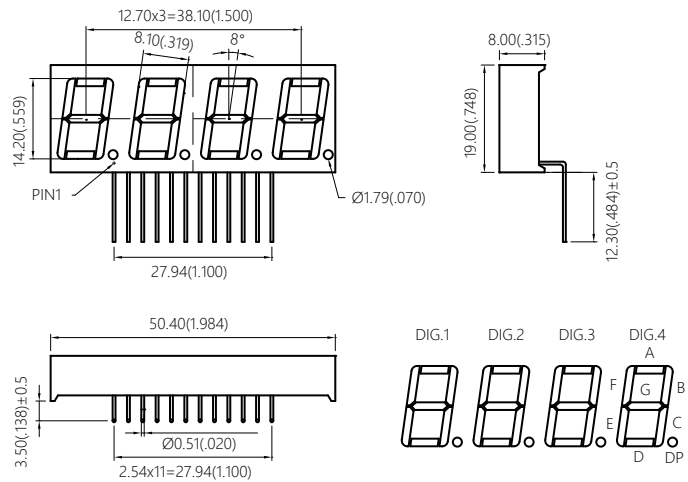
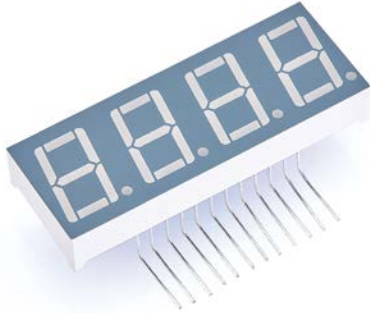
Unit : mm

Common Cathode		Common Anode		Emitting Color	Wavelength λ_d (nm)/CIE (x,y)	Typ. Luminous Intensity I_v (mcd)/Seg.	Forward Current I_F (mA)
Part No	Ref. PN	Part No	Ref. PN				
C-5P4G	DKC45G390G	A-5P4G	DKA45G386G	Yellow Green	570	2.1	10
C-5P4Y	DKC45Y389G	A-5P4Y	DKA45Y385G	Yellow	587	1.9	10
C-5P4E	DKC45E391G	A-5P4E	DKA45E387G	Super Red	628	2	10
C-5P4SR	DKC45SR388G	A-5P4SR	DKA45SR384G	Hyper Red	640	12	10

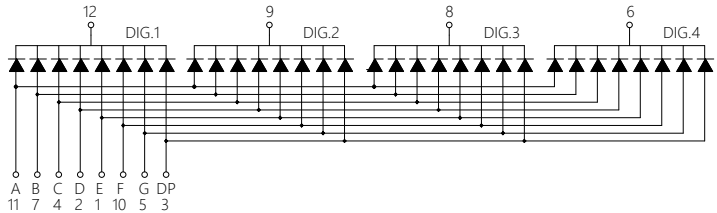


Unit : mm

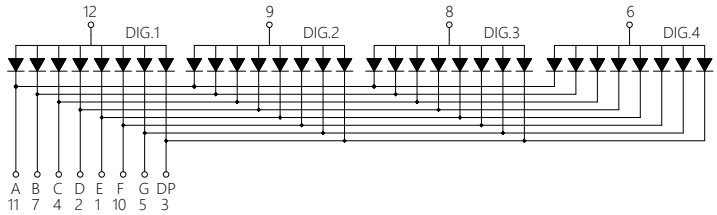
Common Cathode		Common Anode		Emitting Color	Wavelength λ_d (nm)/CIE (x.y)	Typ. Luminous Intensity I_v (mcd)/Seg.	Forward Current I_F (mA)
Part No	Ref. PN	Part No	Ref. PN				
C-564UB	DKC45UB379G	A-564UB	DKA45UB374G	Blue	465	18	10
C-564G	DKC45G382G	A-564G	DKA45G377G	Yellow Green	570	2.1	10
C-564Y	DKC45Y381G	A-564Y	DKA45Y376G	Yellow	587	1.9	10
C-564E	DKC45E383G	A-564E	DKA45E378G	Super Red	628	2	10
C-564SR	DKC45SR380G	A-564SR	DKA45SR375G	Hyper Red	640	12	10



C-574X-LF

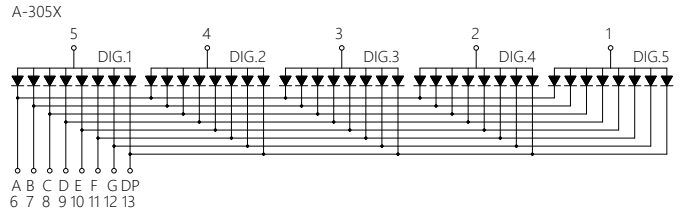
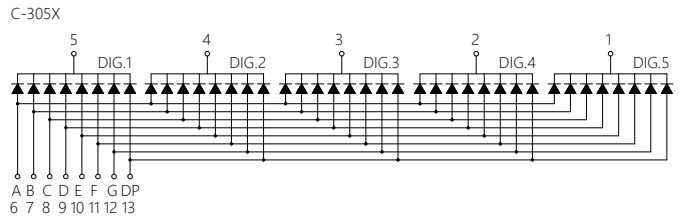
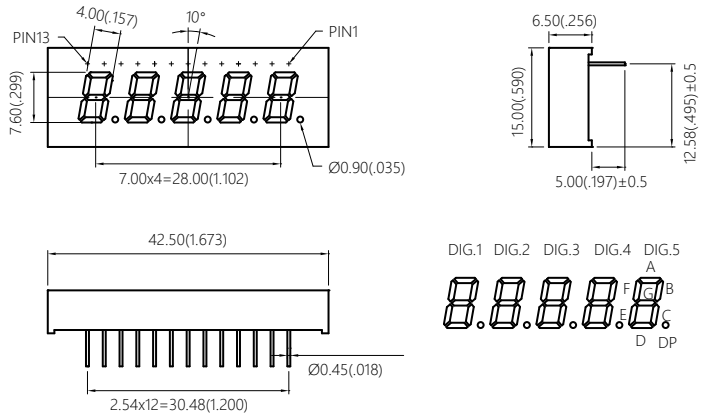


A-574X-LF



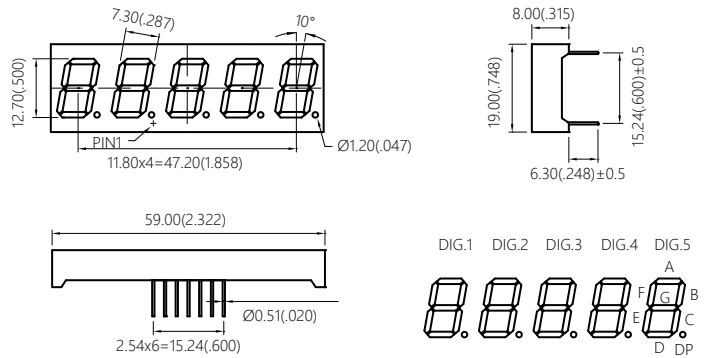
Unit : mm

Common Cathode		Common Anode		Emitting Color	Wavelength λ_d (nm)/CIE (x,y)	Typ. Luminous Intensity I_v (mcd)/Seg.	Forward Current I_F (mA)
Part No	Ref. PN	Part No	Ref. PN				
C-574G-LF	DKC45G372G	A-574G-LF	DKA45G368G	Yellow Green	570	2.1	10
C-574Y-LF	DKC45Y371G	A-574Y-LF	DKA45Y367G	Yellow	587	1.9	10
C-574E-LF	DKC45E373G	A-574E-LF	DKA45E369G	Super Red	628	2	10
C-574SR-LF	DKC45SR370G	A-574SR-LF	DKA45SR366G	Hyper Red	640	12	10

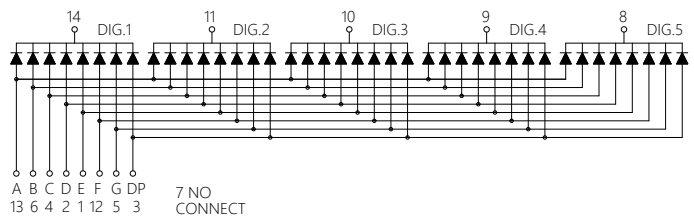


Unit : mm

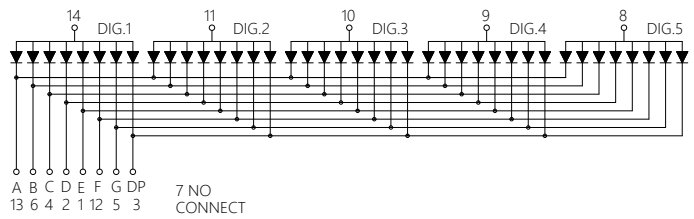
Common Cathode		Common Anode		Emitting Color	Wavelength λ_d (nm)/CIE (x.y)	Typ. Luminous Intensity I_v (mcd)/Seg.	Forward Current I_F (mA)
Part No	Ref. PN	Part No	Ref. PN				
C-305G	DKC53G364G	A-305G	DKA53G360G	Yellow Green	570	1.4	10
C-305Y	DKC53Y363G	A-305Y	DKA53Y359G	Yellow	587	1.2	10
C-305E	DKC53E365G	A-305E	DKA53E361G	Super Red	628	1.3	10
C-305SR	DKC53SR362G	A-305SR	DKA53SR358G	Hyper Red	640	4.2	10







C-505X

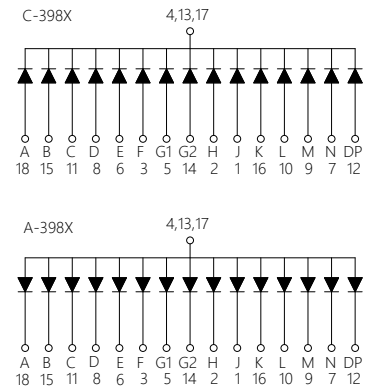
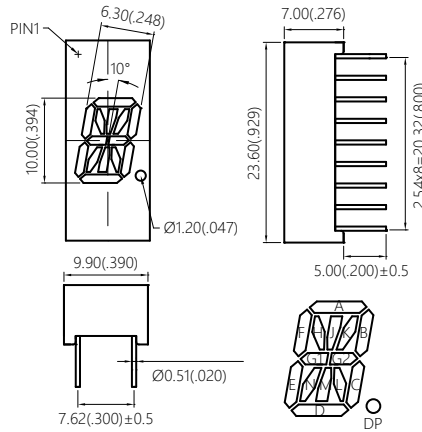
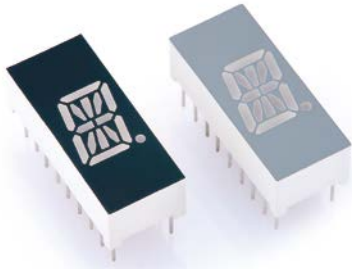


A-505X



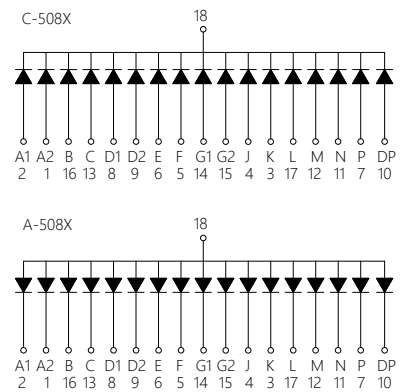
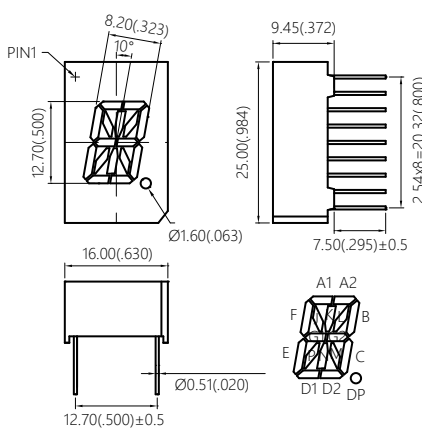
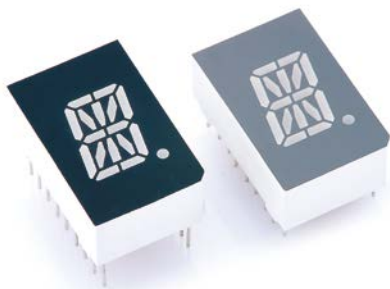
Unit : mm

Common Cathode		Common Anode		Emitting Color	Wavelength λ_d (nm)/CIE (x,y)	Typ. Luminous Intensity I_v (mcd)/Seg.	Forward Current I_F (mA)
Part No	Ref. PN	Part No	Ref. PN				
C-505G	DKC55G356G	A-505G	DKA55G352G	 Yellow Green	570	1.9	10
C-505Y	DKC55Y355G	A-505Y	DKA55Y351G	 Yellow	587	1.7	10
C-505E	DKC55E357G	A-505E	DKA55E353G	 Super Red	628	1.8	10
C-505SR	DKC55SR354G	A-505SR	DKA55SR350G	 Hyper Red	640	8	10



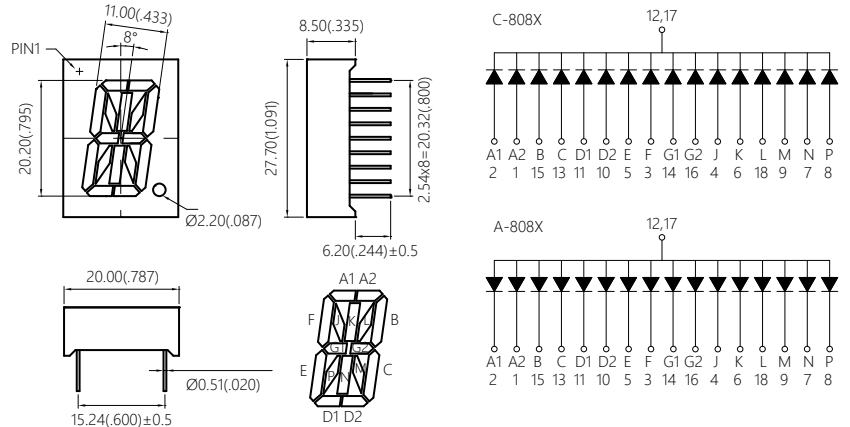
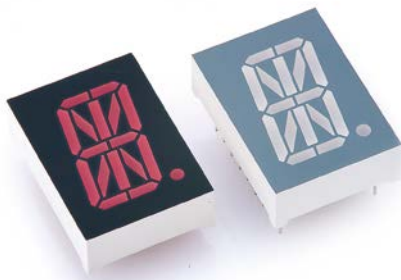
Unit : mm

Common Cathode		Common Anode		Emitting Color	Wavelength λ_d (nm)/CIE (x.y)	Typ. Luminous Intensity I_v (mcd)/Seg.	Forward Current I_F (mA)
Part No	Ref. PN	Part No	Ref. PN				
C-398UB	DKC13UB337G	A-398UB	DKA13UB332G	Blue	465	10	10
C-398G	DKC13G340G	A-398G	DKA13G335G	Yellow Green	570	1.7	10
C-398Y	DKC13Y339G	A-398Y	DKA13Y334G	Yellow	587	1.5	10
C-398E	DKC13E341G	A-398E	DKA13E336G	Super Red	628	1.6	10
C-398SR	DKC13SR338G	A-398SR	DKA13SR333G	Hyper Red	640	4.8	10



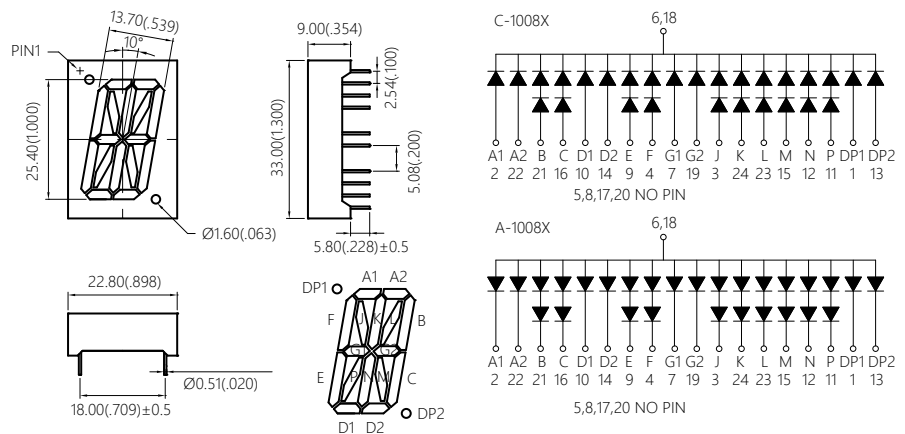
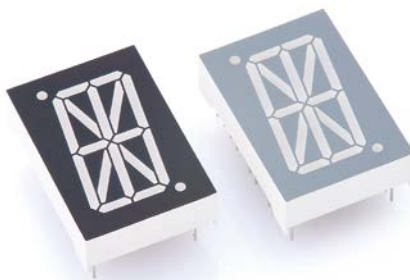
Unit : mm

Common Cathode		Common Anode		Emitting Color	Wavelength λ_d (nm)/CIE (x.y)	Typ. Luminous Intensity I_v (mcd)/Seg.	Forward Current I_F (mA)
Part No	Ref. PN	Part No	Ref. PN				
C-508G	DKC15G330G	A-508G	DKA15G326G	Yellow Green	570	1.9	10
C-508Y	DKC15Y329G	A-508Y	DKA15Y325G	Yellow	587	1.7	10
C-508E	DKC15E331G	A-508E	DKA15E327G	Super Red	628	1.8	10
C-508SR	DKC15SR328G	A-508SR	DKA15SR324G	Hyper Red	640	8	10



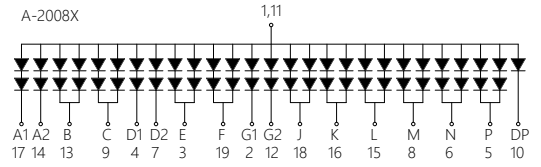
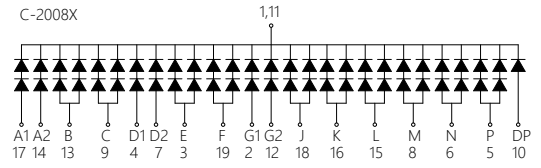
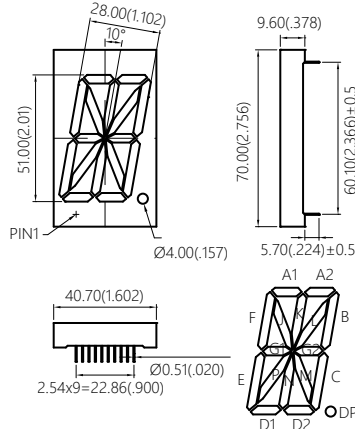
Unit : mm

Common Cathode		Common Anode		Emitting Color	Wavelength λ_d (nm)/CIE (x.y)	Typ. Luminous Intensity I_v (mcd)/Seg.	Forward Current I_f (mA)
Part No	Ref. PN	Part No	Ref. PN				
C-808UB	DKC18UB319G	A-808UB	DKA18UB314G	Blue	465	28	10
C-808G	DKC18G322G	A-808G	DKA18G317G	Yellow Green	570	2.6	10
C-808Y	DKC18Y321G	A-808Y	DKA18Y316G	Yellow	587	2.4	10
C-808E	DKC18E323G	A-808E	DKA18E318G	Super Red	628	2.5	10
C-808SR	DKC18SR320G	A-808SR	DKA18SR315G	Hyper Red	640	20	10



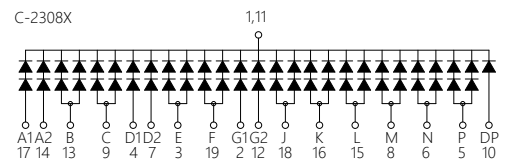
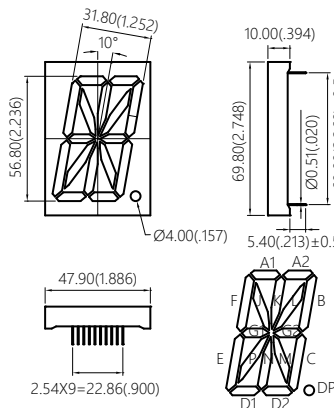
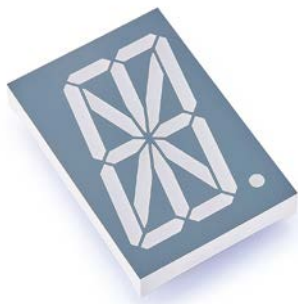
Unit : mm

Common Cathode		Common Anode		Emitting Color	Wavelength λ_d (nm)/CIE (x.y)	Typ. Luminous Intensity I_v (mcd)/Seg.	Forward Current I_f (mA)
Part No	Ref. PN	Part No	Ref. PN				
C-1008G	DKC1AG312G	A-1008G	DKA1AG307G	Yellow Green	570	3.4	10
C-1008Y	DKC1AY311G	A-1008Y	DKA1AY306G	Yellow	587	3	10
C-1008E	DKC1AE313G	A-1008E	DKA1AE308G	Super Red	628	3.2	10
C-1008SR	DKC1ASR310G	A-1008SR	DKA1ASR305G	Hyper Red	640	28	10
C-1008NDUW	DKC1AUW309G	A-1008UW	DKA1AUW304G	White	(0.29, 0.30)	70	10

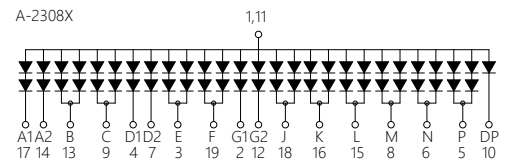


Unit : mm

Common Cathode		Common Anode		Emitting Color	Wavelength λ_d (nm)/CIE (x.y)	Typ. Luminous Intensity I_v (mcd)/Seg.	Forward Current I_F (mA)
Part No	Ref. PN	Part No	Ref. PN				
C-2008G	DKC1AG302G	A-2008G	DKA1AG298G	Yellow Green	570	4.8	10
C-2008Y	DKC1AY301G	A-2008Y	DKA1AY297G	Yellow	587	4.4	10
C-2008E	DKC1AE303G	A-2008E	DKA1AE299G	Super Red	628	4.6	10
C-2008SR	DKC1ASR300G	A-2008SR	DKA1ASR296G	Hyper Red	640	44	10



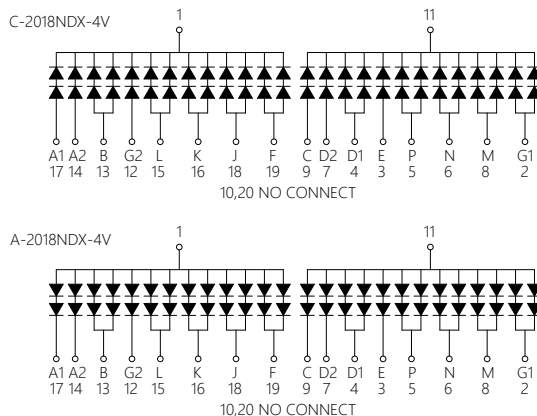
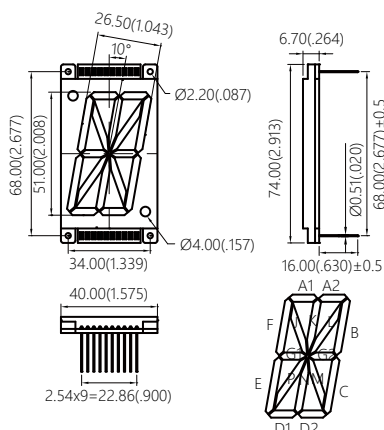
20 NO CONNECT



20 NO CONNECT

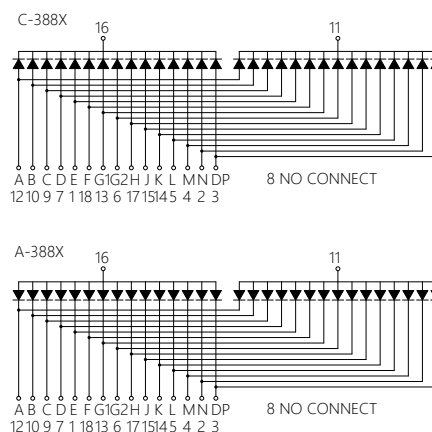
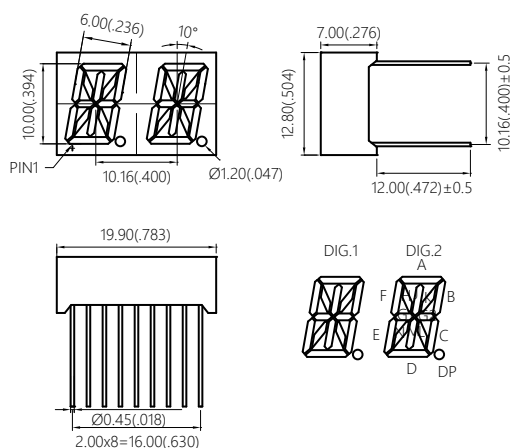
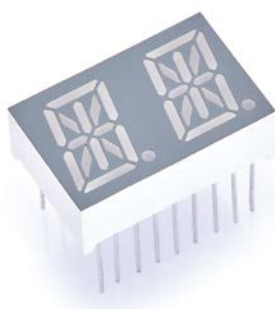
Unit : mm

Common Cathode		Common Anode		Emitting Color	Wavelength λ_d (nm)/CIE (x.y)	Typ. Luminous Intensity I_v (mcd)/Seg.	Forward Current I_F (mA)
Part No	Ref. PN	Part No	Ref. PN				
C-2308G	DKC1AG284G	A-2308G	DKA1AG280G	Yellow Green	570	5.6	10
C-2308Y	DKC1AY283G	A-2308Y	DKA1AY279G	Yellow	587	5.2	10
C-2308E	DKC1AE285G	A-2308E	DKA1AE281G	Super Red	628	5.4	10
C-2308SR	DKC1ASR282G	A-2308SR	DKA1ASR278G	Hyper Red	640	48	10



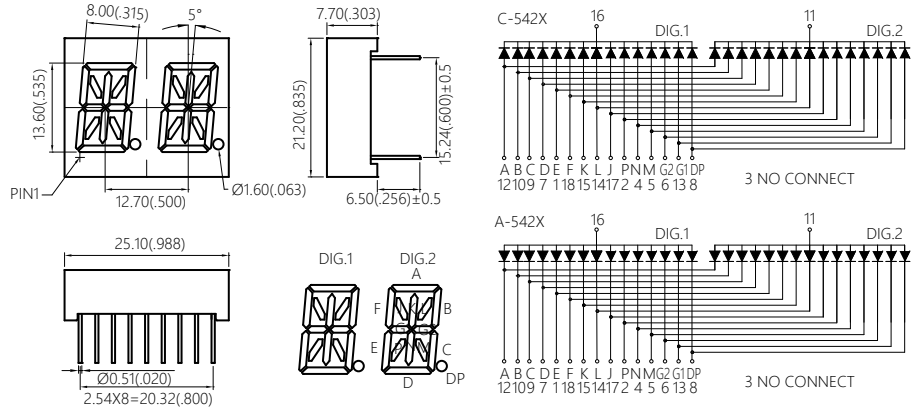
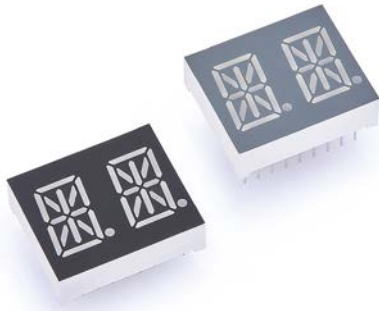
Unit : mm

Common Cathode		Common Anode		Emitting Color	Wavelength λ_d (nm)/CIE (x,y)	Typ. Luminous Intensity I_v (mcd)/Seg.	Forward Current I_F (mA)
Part No	Ref. PN	Part No	Ref. PN				
C-2018NDG-4V	DKC1AG294G	A-2018NDG-4V	DKA1AG289G	Yellow Green	570	4.8	10
C-2018NDY-4V	DKC1AY293G	A-2018NDY-4V	DKA1AY288G	Yellow	587	4.4	10
C-2018NDE-4V	DKC1AE295G	A-2018NDE-4V	DKA1AE290G	Super Red	628	4.6	10
C-2018NDSR-4V	DKC1ASR292G	A-2018NDSR-4V	DKA1ASR287G	Hyper Red	640	44	10
C-2018NDUW-4V	DKC1AUW291G	A-2018NDUW-4V	DKA1AUW286G	White	(0.29, 0.30)	120	10



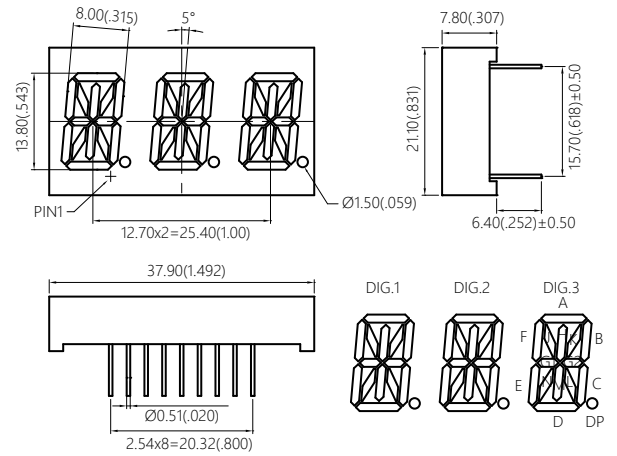
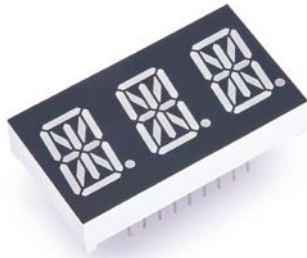
Unit : mm

Common Cathode		Common Anode		Emitting Color	Wavelength λ_d (nm)/CIE (x,y)	Typ. Luminous Intensity I_v (mcd)/Seg.	Forward Current I_F (mA)
Part No	Ref. PN	Part No	Ref. PN				
C-388G	DKC23G276G	A-388G	DKA23G272G	Yellow Green	570	1.7	10
C-388Y	DKC23Y275G	A-388Y	DKA23Y271G	Yellow	587	1.5	10
C-388E	DKC23E277G	A-388E	DKA23E273G	Super Red	628	1.6	10
C-388SR	DKC23SR274G	A-388SR	DKA23SR270G	Hyper Red	640	4.8	10



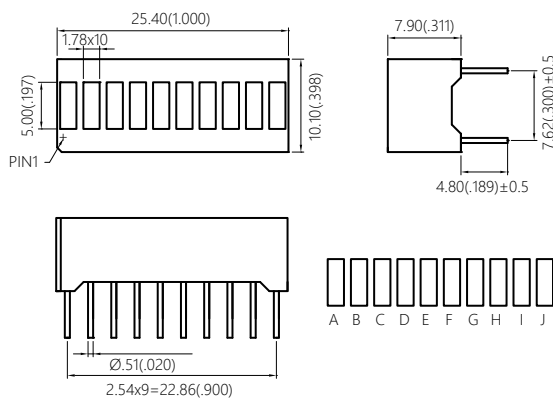
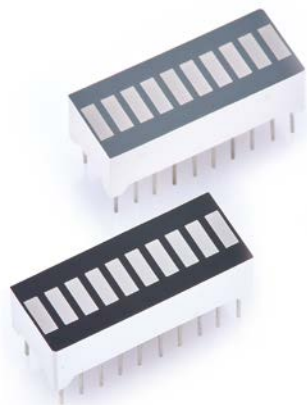
Unit : mm

Common Cathode		Common Anode		Emitting Color	Wavelength λ_d (nm)/CIE (x,y)	Typ. Luminous Intensity I_v (mcd)/Seg.	Forward Current I_f (mA)
Part No	Ref. PN	Part No	Ref. PN				
C-542G	DKC25G268G	A-542G	DKA25G264G	Yellow Green	570	2.2	10
C-542Y	DKC25Y267G	A-542Y	DKA25Y263G	Yellow	587	2	10
C-542E	DKC25E269G	A-542E	DKA25E265G	Super Red	628	2.1	10
C-542SR	DKC25SR266G	A-542SR	DKA25SR262G	Hyper Red	640	10	10

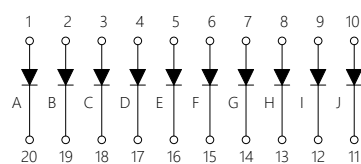


Unit : mm

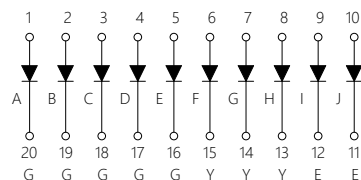
Common Cathode		Common Anode		Emitting Color	Wavelength λ_d (nm)/CIE (x,y)	Typ. Luminous Intensity I_v (mcd)/Seg.	Forward Current I_f (mA)
Part No	Ref. PN	Part No	Ref. PN				
C-5B3G	DKC35G260G	A-5B3G	DKA35G256G	Yellow Green	570	2.2	10
C-5B3Y	DKC35Y259G	A-5B3Y	DKA35Y255G	Yellow	587	2	10
C-5B3E	DKC35E261G	A-5B3E	DKA35E257G	Super Red	628	2.1	10
C-5B3SR	DKC35SR258G	A-5B3SR	DKA35SR254G	Hyper Red	640	10	10



B-1000X

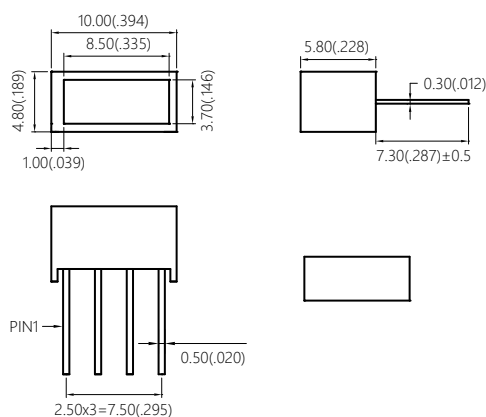


B-1000M(SG3Y2E)

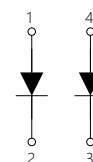


Unit : mm

Part No	Ref. PN	Emitting Color	Wavelength λ_d (nm)/CIE (x.y)	Typ. Luminous Intensity I_v (mcd)/Seg.	Forward Current I_F (mA)
B-1000UB	BK010UB249G	Blue	465	15	10
B-1000G	BK010G252G	Yellow Green	570	2	10
B-1000Y	BK010Y251G	Yellow	587	1.8	10
B-1000E	BK010E253G	Super Red	628	1.9	10
B-1000SR	BK010SR250G	Hyper Red	640	10	10

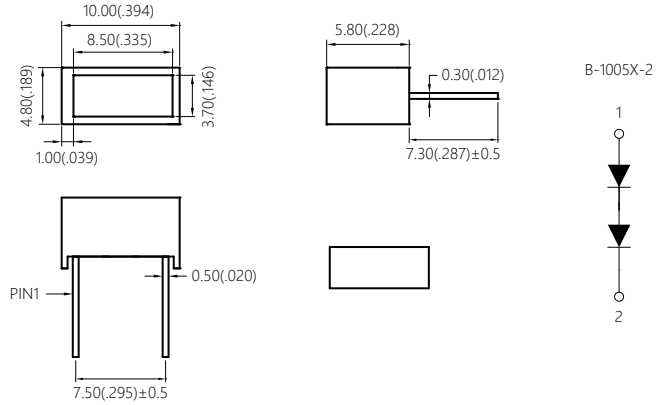


B-1005X-3V



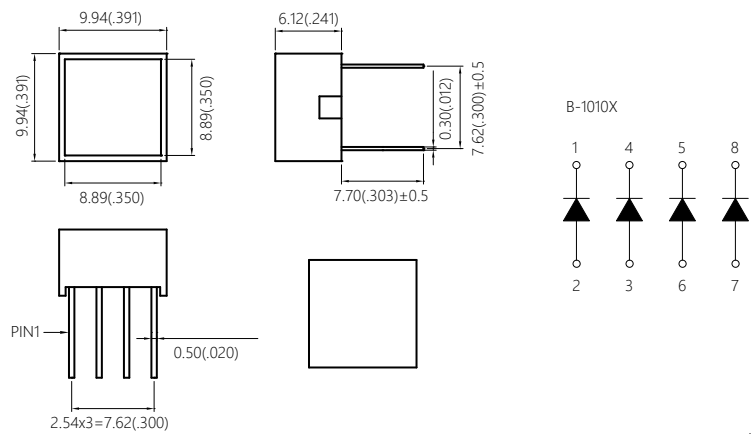
Unit : mm

Part No	Ref. PN	Emitting Color	Wavelength λ_d (nm)/CIE (x.y)	Typ. Luminous Intensity I_v (mcd)/Seg.	Forward Current I_F (mA)
B-1005G-3V	BK010G243G	Yellow Green	570	3.4	10
B-1005Y-3V	BK010Y242G	Yellow	587	3	10
B-1005E-3V	BK010E244G	Super Red	628	3.2	10
B-1005SR-3V	BK010SR241G	Hyper Red	640	7	10



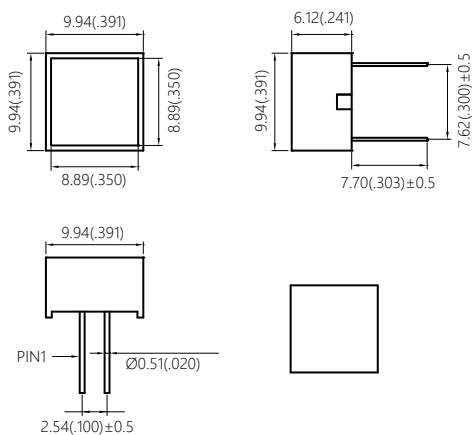
Unit : mm

Part No	Ref. PN	Emitting Color	Wavelength λ_d (nm)/CIE (x.y)	Typ. Luminous Intensity I_v (mcd)/Seg.	Forward Current I_F (mA)
B-1005G-2	BK010G239G	Yellow Green	570	4	10
B-1005Y-2	BK010Y238G	Yellow	587	3.6	10
B-1005E-2	BK010E240G	Super Red	628	3.8	10
B-1005SR-2	BK010SR237G	Hyper Red	640	8	10



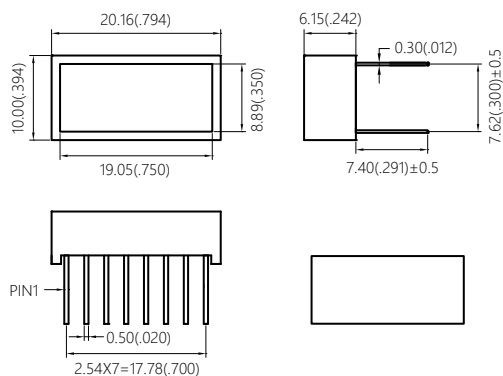
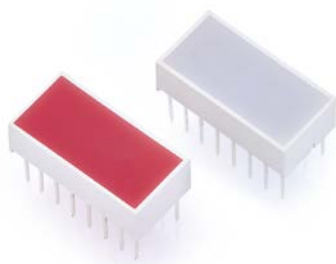
Unit : mm

Part No	Ref. PN	Emitting Color	Wavelength λ_d (nm)/CIE (x.y)	Typ. Luminous Intensity I_v (mcd)/Seg.	Forward Current I_F (mA)
B-1010G	BK010G235G	Yellow Green	570	5	10
B-1010Y	BK010Y234G	Yellow	587	4.6	10
B-1010E	BK010E236G	Super Red	628	4.8	10
B-1010SR	BK010SR233G	Hyper Red	640	12	10



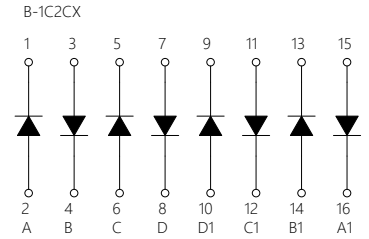
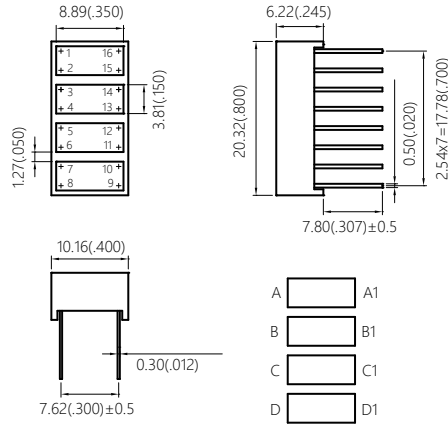
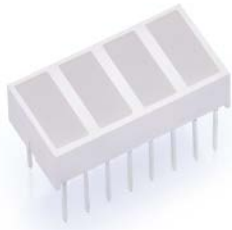
Unit : mm

Part No	Ref. PN	Emitting Color	Wavelength λ_d (nm)/CIE (x,y)	Typ. Luminous Intensity I_v (mcd)/Seg.	Forward Current I_F (mA)
B-1011UB	BK010UB228G	Blue	465	12	10
B-1011G	BK010G231G	Yellow Green	570	4	10
B-1011Y	BK010Y230G	Yellow	587	3.6	10
B-1011E	BK010E232G	Super Red	628	3.8	10
B-1011SR	BK010SR229G	Hyper Red	640	8	10
B-1011UW	BK010UW227G	White	(0.29, 0.30)	25	10



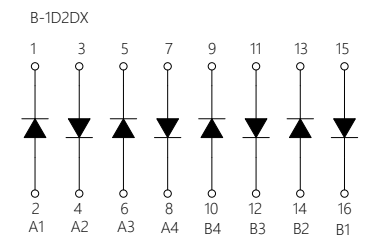
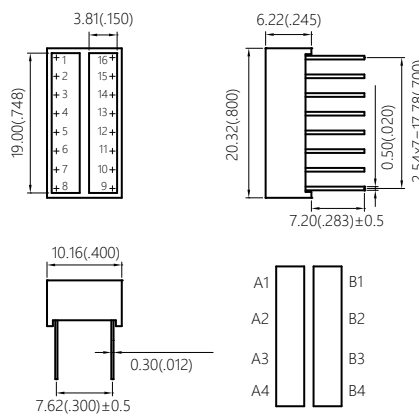
Unit : mm

Part No	Ref. PN	Emitting Color	Wavelength λ_d (nm)/CIE (x,y)	Typ. Luminous Intensity I_v (mcd)/Seg.	Forward Current I_F (mA)
B-1020G	BK010G225G	Yellow Green	570	10	10
B-1020Y	BK010Y224G	Yellow	587	8	10
B-1020E	BK010E226G	Super Red	628	9	10
B-1020SR	BK010SR223G	Hyper Red	640	20	10



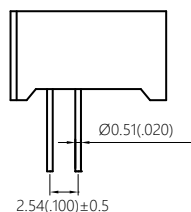
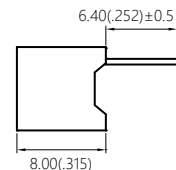
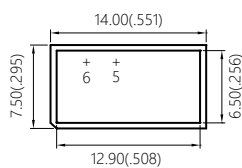
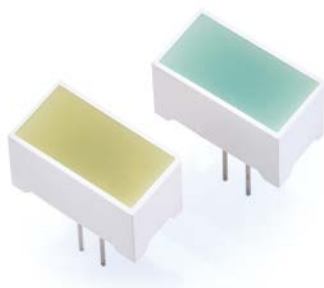
Unit : mm

Part No	Ref. PN	Emitting Color	Wavelength λ_d (nm)/CIE (x.y)	Typ. Luminous Intensity I_v (mcd)/Seg.	Forward Current I_F (mA)
B-1C2CG	BK010G221G	Yellow Green	570	9	10
B-1C2CY	BK010Y220G	Yellow	587	8.5	10
B-1C2CE	BK010E222G	Super Red	628	8.8	10
B-1C2CSR	BK010SR219G	Hyper Red	640	18	10

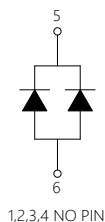


Unit : mm

Part No	Ref. PN	Emitting Color	Wavelength λ_d (nm)/CIE (x.y)	Typ. Luminous Intensity I_v (mcd)/Seg.	Forward Current I_F (mA)
B-1D2DG	BK010G217G	Yellow Green	570	10	10
B-1D2DY	BK010Y216G	Yellow	587	8	10
B-1D2DE	BK010E218G	Super Red	628	9	10
B-1D2DSR	BK010SR215G	Hyper Red	640	20	10

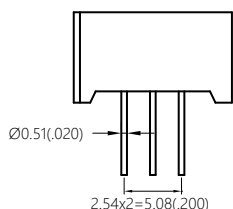
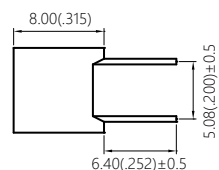
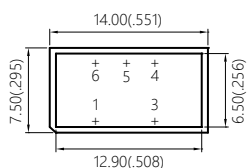
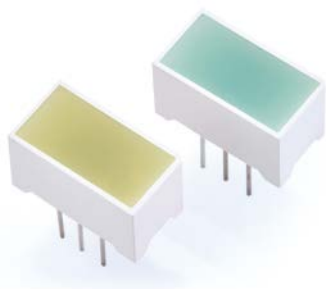


B-1408X-2

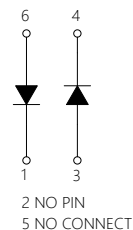


Unit : mm

Part No	Ref. PN	Emitting Color	Wavelength λ_d (nm)/CIE (x.y)	Typ. Luminous Intensity I_v (mcd)/Seg.	Forward Current I_f (mA)
B-1408UB-2	BK010UB210G	Blue	465	12	10
B-1408G-2	BK010G213G	Yellow Green	570	3.5	10
B-1408Y-2	BK010Y212G	Yellow	587	3.3	10
B-1408E-2	BK010E214G	Super Red	628	3.4	10
B-1408SR-2	BK010SR211G	Hyper Red	640	8	10

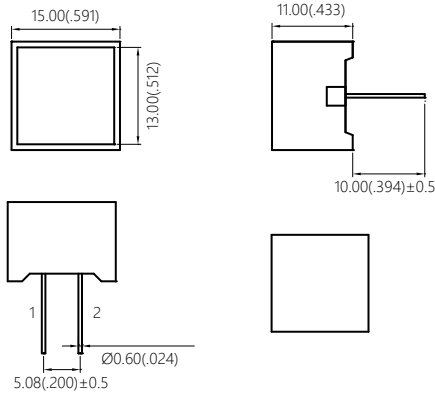
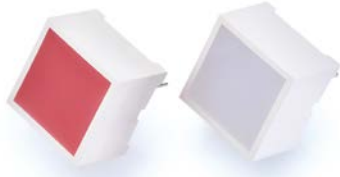


B-1408X

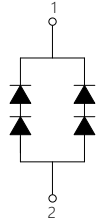


Unit : mm

Part No	Ref. PN	Emitting Color	Wavelength λ_d (nm)/CIE (x.y)	Typ. Luminous Intensity I_v (mcd)/Seg.	Forward Current I_f (mA)
B-1408G	BK010G208G	Yellow Green	570	3.5	10
B-1408Y	BK010Y207G	Yellow	587	3.3	10
B-1408E	BK010E209G	Super Red	628	3.4	10
B-1408SR	BK010SR206G	Hyper Red	640	8	10

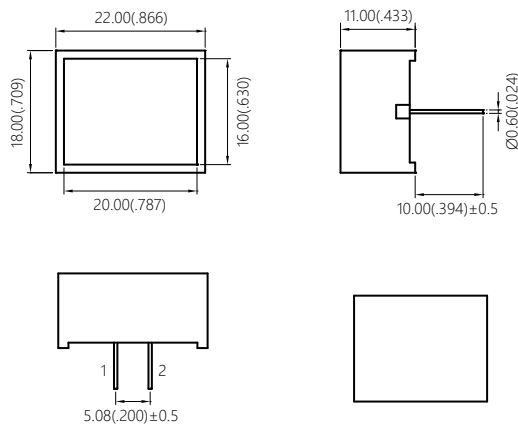


B-1504X

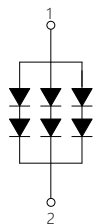


Unit : mm

Part No	Ref. PN	Emitting Color	Wavelength λ_d (nm)/CIE (x.y)	Typ. Luminous Intensity I_v (mcd)/Seg.	Forward Current I_F (mA)
B-1504UB	BK010UB201G	Blue	465	28	10
B-1504G	BK010G204G	Yellow Green	570	10	10
B-1504Y	BK010Y203G	Yellow	587	8	10
B-1504E	BK010E205G	Super Red	628	9	10
B-1504SR	BK010SR202G	Hyper Red	640	20	10

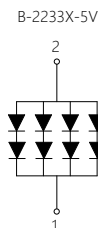
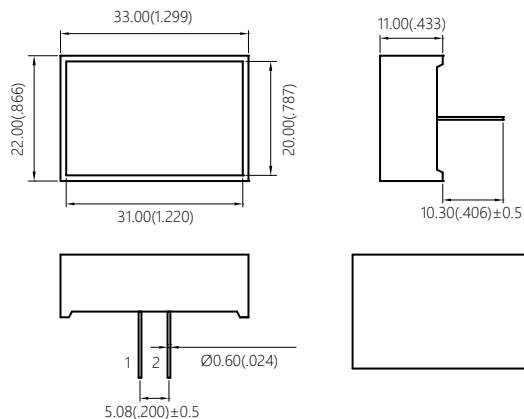


B-1822X



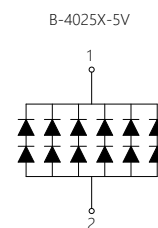
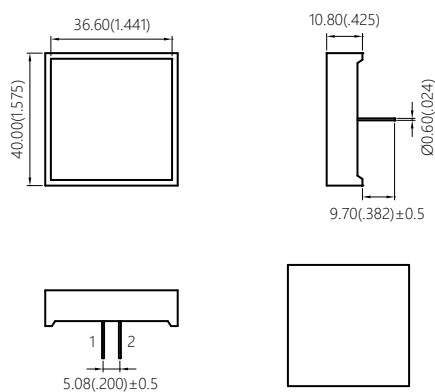
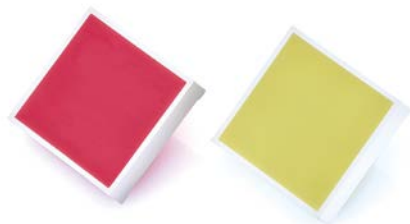
Unit : mm

Part No	Ref. PN	Emitting Color	Wavelength λ_d (nm)/CIE (x.y)	Typ. Luminous Intensity I_v (mcd)/Seg.	Forward Current I_F (mA)
B-1822UB	BK010UB196G	Blue	465	32	10
B-1822G	BK010G199G	Yellow Green	570	12	10
B-1822Y	BK010Y198G	Yellow	587	10	10
B-1822E	BK010E200G	Super Red	628	11	10
B-1822SR	BK010SR197G	Hyper Red	640	25	10



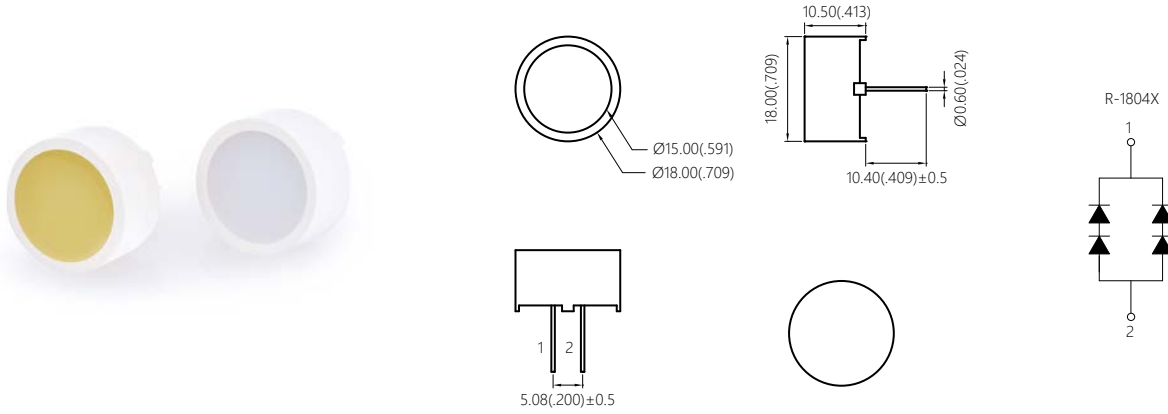
Unit : mm

Part No	Ref. PN	Emitting Color	Wavelength λ_d (nm)/CIE (x.y)	Typ. Luminous Intensity I_v (mcd)/Seg.	Forward Current I_f (mA)
B-2233G-5V	BK010G194G	Yellow Green	570	14.	10
B-2233Y-5V	BK010Y193G	Yellow	587	12	10
B-2233E-5V	BK010E195G	Super Red	628	13	10
B-2233SR-5V	BK010SR192G	Hyper Red	640	32	10



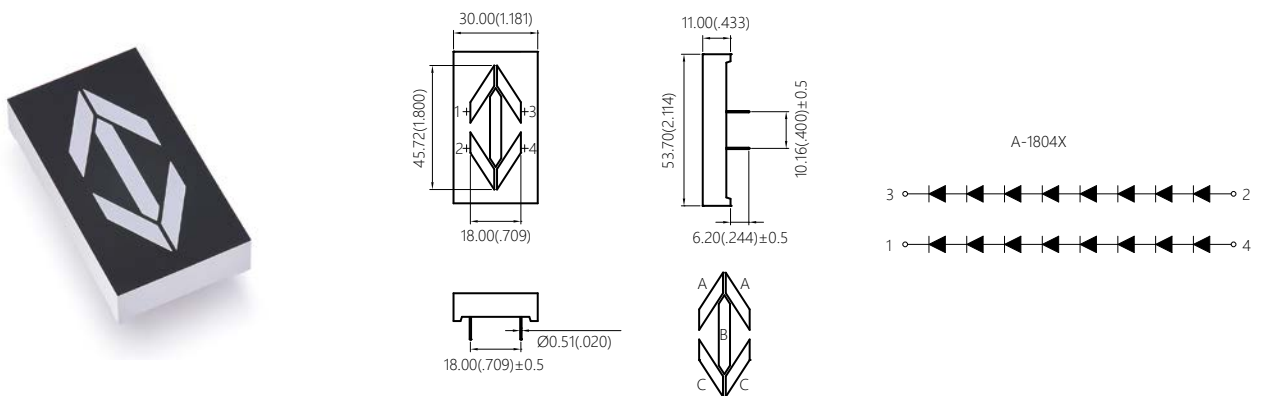
Unit : mm

Part No	Ref. PN	Emitting Color	Wavelength λ_d (nm)/CIE (x.y)	Typ. Luminous Intensity I_v (mcd)/Seg.	Forward Current I_f (mA)
B-4025G-5V	BK010G186G	Yellow Green	570	30	10
B-4025Y-5V	BK010Y185G	Yellow	587	26	10
B-4025E-5V	BK010E187G	Super Red	628	28	10
B-4025SR-5V	BK010SR184G	Hyper Red	640	60	10



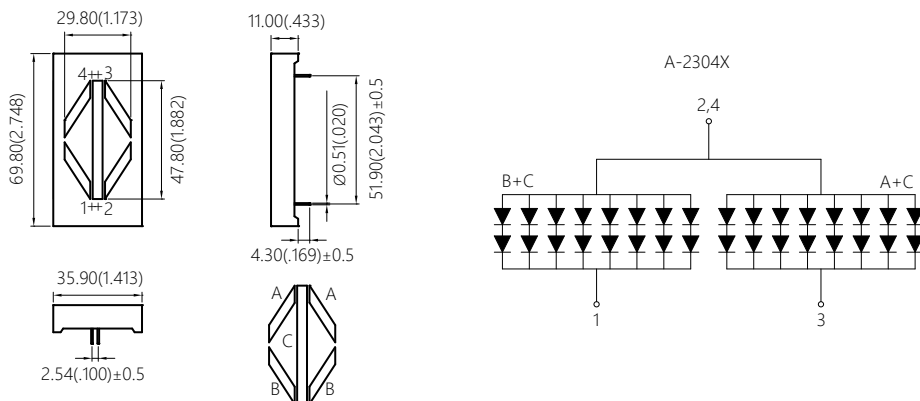
Unit : mm

Part No	Ref. PN	Emitting Color	Wavelength λ_d (nm)/CIE (x.y)	Typ. Luminous Intensity I_v (mcd)/Seg.	Forward Current I_F (mA)
R-1804G	BK010G182G	Yellow Green	570	30	10
R-1804Y	BK010Y181G	Yellow	587	26	10
R-1804E	BK010E183G	Super Red	628	28	10
R-1804SR	BK010SR180G	Hyper Red	640	60	10



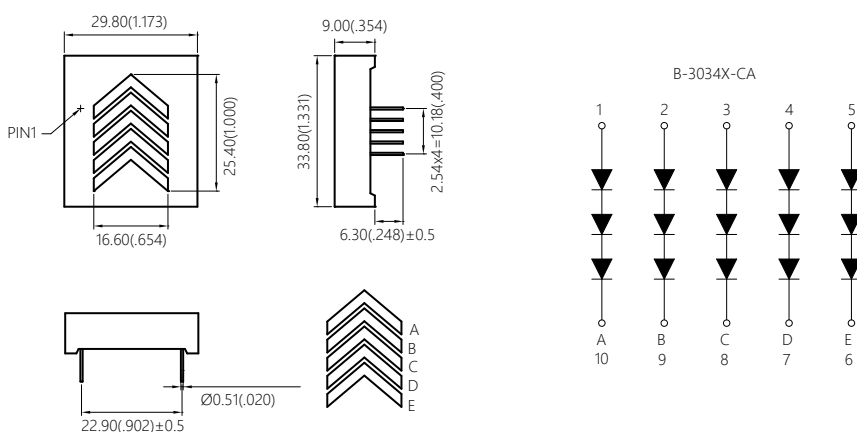
Unit : mm

Part No	Ref. PN	Emitting Color	Wavelength λ_d (nm)/CIE (x.y)	Typ. Luminous Intensity I_v (mcd)/Seg.	Forward Current I_F (mA)
A-1804G	BK010G174G	Yellow Green	570	15	10
A-1804Y	BK010Y173G	Yellow	587	13	10
A-1804E	BK010E175G	Super Red	628	14	10
A-1804SR	BK010SR172G	Hyper Red	640	28	10



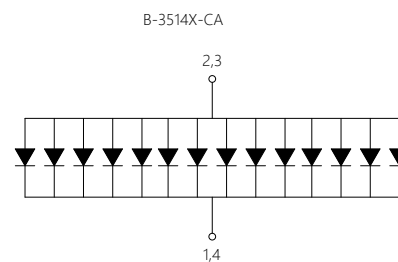
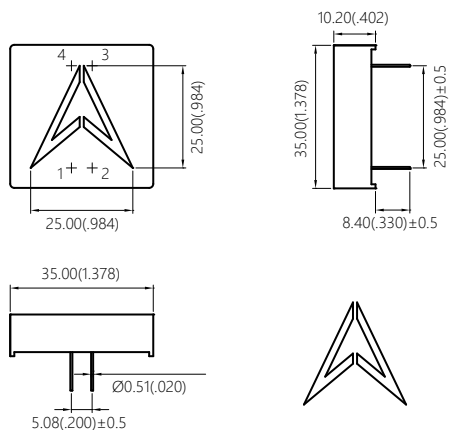
Unit : mm

Part No	Ref. PN	Emitting Color	Wavelength λ_d (nm)/CIE (x.y)	Typ. Luminous Intensity I_v (mcd)/Seg.	Forward Current I_F (mA)
A-2304G	BK020G170G	Yellow Green	570	20	10
A-2304Y	BK020Y169G	Yellow	587	18	10
A-2304E	BK020E171G	Super Red	628	19	10
A-2304SR	BK020SR168G	Hyper Red	640	40	10



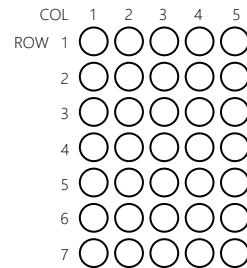
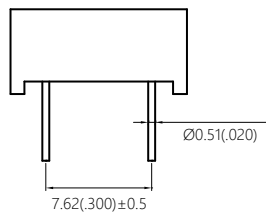
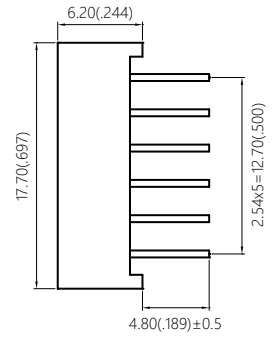
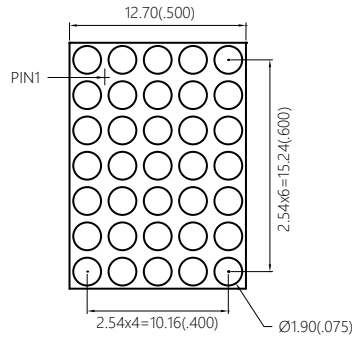
Unit : mm

Part No	Ref. PN	Emitting Color	Wavelength λ_d (nm)/CIE (x.y)	Typ. Luminous Intensity I_v (mcd)/Seg.	Forward Current I_F (mA)
B-3034G-CA	BK010G166G	Yellow Green	570	12	10
B-3034Y-CA	BK010Y165G	Yellow	587	10	10
B-3034E-CA	BK010E167G	Super Red	628	11	10
B-3034SR-CA	BK010SR164G	Hyper Red	640	30	10

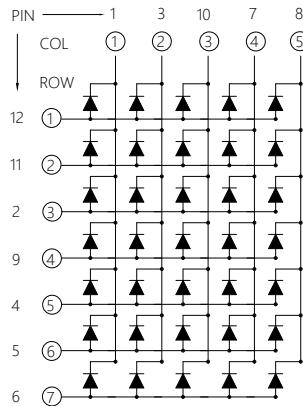


Unit : mm

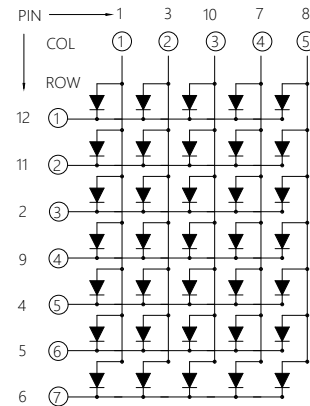
Part No	Ref. PN	Emitting Color	Wavelength λ_d (nm)/CIE (x.y)	Typ. Luminous Intensity I_v (mcd)/Seg.	Forward Current I_F (mA)
B-3514G-CA	BK010G162G	Yellow Green	570	15	10
B-3514Y-CA	BK010Y161G	Yellow	587	13	10
B-3514E-CA	BK010E163G	Super Red	628	14	10
B-3514SR-CA	BK010SR160G	Hyper Red	640	35	10



C-2570X

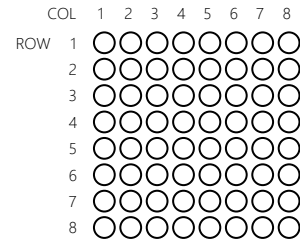
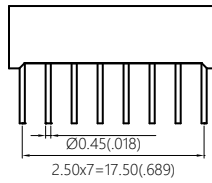
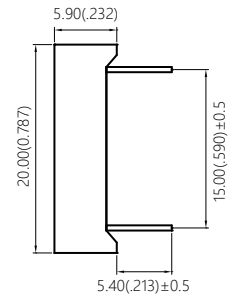
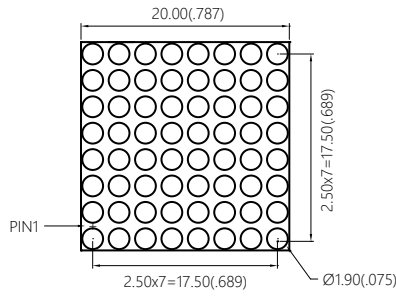
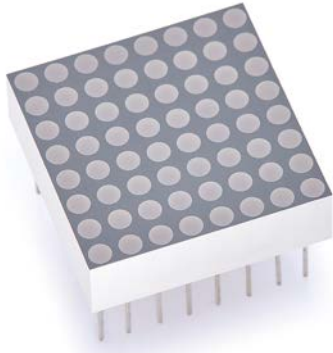


A-2570X

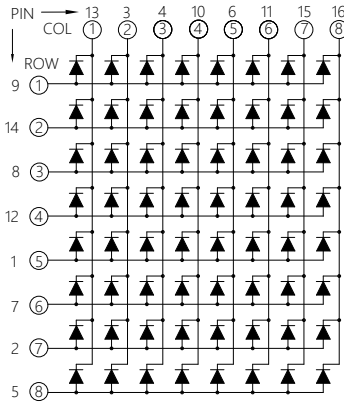


Unit : mm

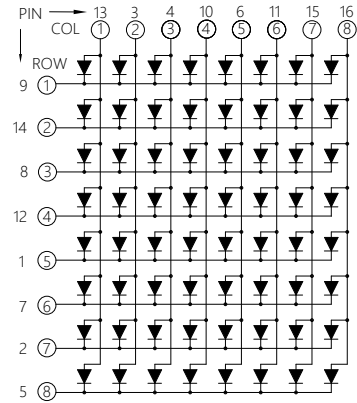
Common Cathode		Common Anode		Emitting Color	Wavelength λ_d (nm)/CIE (x,y)	Typ. Luminous Intensity I_v (mcd)/Seg.	Forward Current I_F (mA)
Part No	Ref. PN	Part No	Ref. PN				
C-2570UB	MKC20UB146G	A-2570UB	MKA20UB141G	Blue	465	8	10
C-2570G	MKC20G149G	A-2570G	MKA20G144G	Yellow Green	570	2.8	10
C-2570Y	MKC20Y148G	A-2570Y	MKA20Y143G	Yellow	587	2.4	10
C-2570E	MKC20E150G	A-2570E	MKA20E145G	Super Red	628	2.6	10
C-2570SR	MKC20SR147G	A-2570SR	MKA20SR142G	Hyper Red	640	7	10



C-2880X

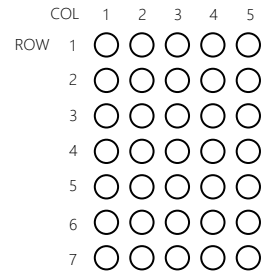
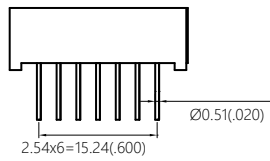
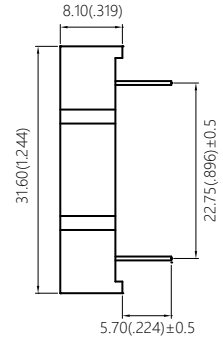
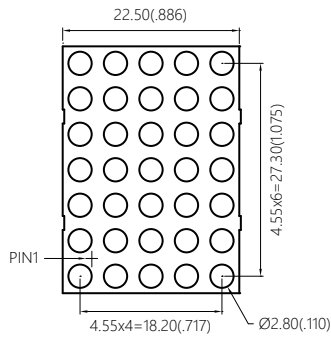


A-2880X

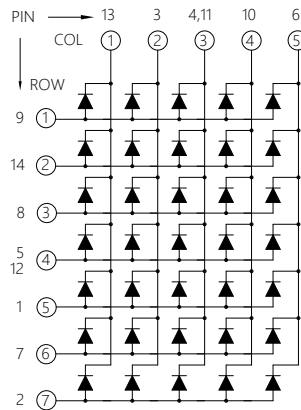


Unit : mm

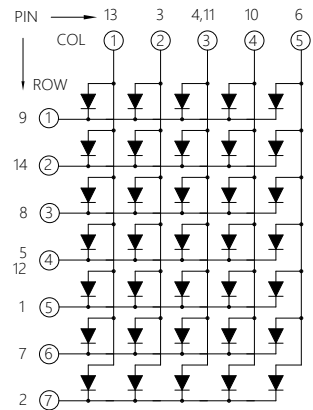
Common Cathode		Common Anode		Emitting Color	Wavelength λ_d (nm)/CIE (x.y)	Typ. Luminous Intensity I_v (mcd)/Seg.	Forward Current I_F (mA)
Part No	Ref. PN	Part No	Ref. PN				
C-2880UB	MKC20UB136G	A-2880UB	MKA20UB131G	Blue	465	8	10
C-2880G	MKC20G139G	A-2880G	MKA20G134G	Yellow Green	570	2.8	10
C-2880Y	MKC20Y138G	A-2880Y	MKA20Y133G	Yellow	587	2.4	10
C-2880E	MKC20E140G	A-2880E	MKA20E135G	Super Red	628	2.6	10
C-2880SR	MKC20SR137G	A-2880SR	MKA20SR132G	Hyper Red	640	7	10



C-3571X

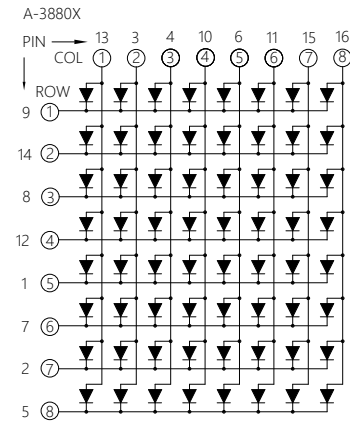
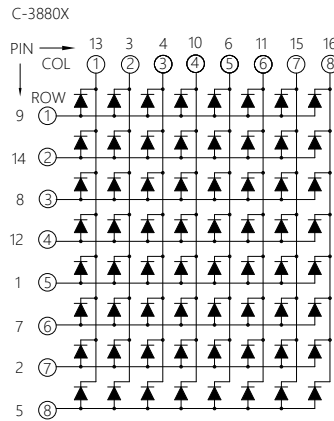
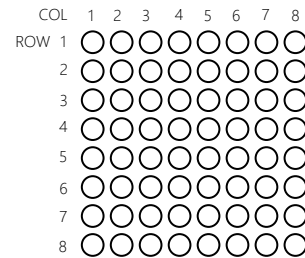
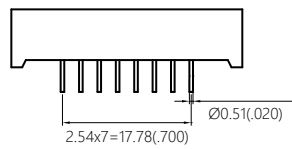
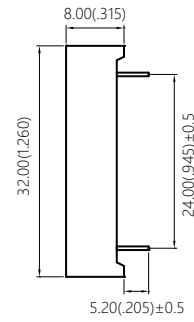
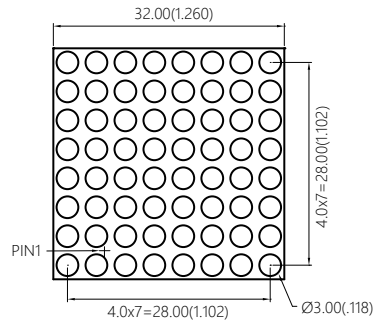


A-3571X



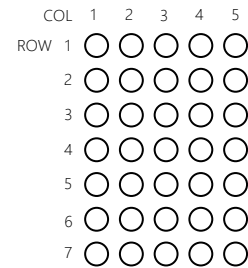
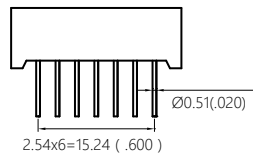
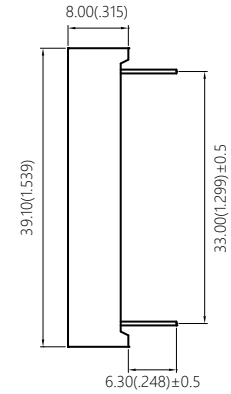
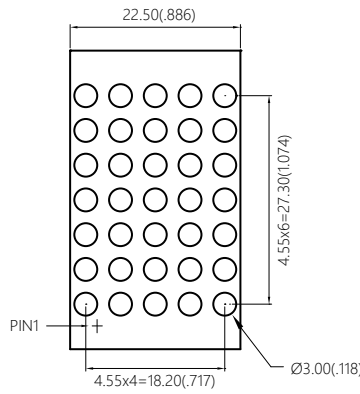
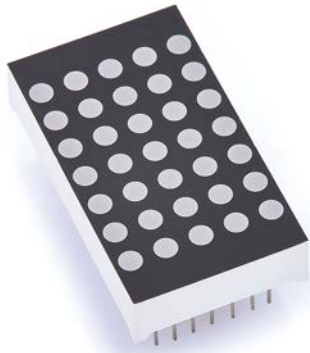
Unit : mm

Common Cathode		Common Anode		Emitting Color	Wavelength λ_d (nm)/CIE (x,y)	Typ. Luminous Intensity I_v (mcd)/Seg.	Forward Current I_F (mA)
Part No	Ref. PN	Part No	Ref. PN				
C-3571UB	MKC30UB116G	A-3571UB	MKA30UB111G	Blue	465	10	10
C-3571G	MKC30G119G	A-3571G	MKA30G114G	Yellow Green	570	2.9	10
C-3571Y	MKC30Y118G	A-3571Y	MKA30Y113G	Yellow	587	2.7	10
C-3571E	MKC30E120G	A-3571E	MKA30E115G	Super Red	628	2.8	10
C-3571SR	MKC30SR117G	A-3571SR	MKA30SR112G	Hyper Red	640	8	10

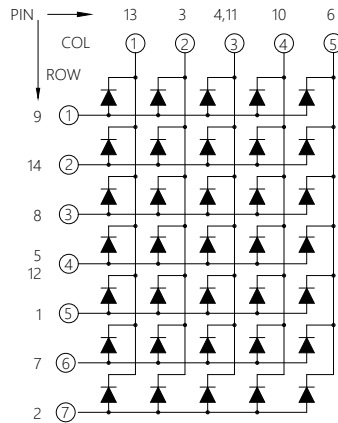


Unit : mm

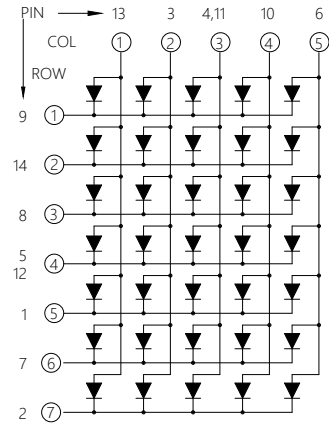
Common Cathode		Common Anode		Emitting Color	Wavelength λ_d (nm)/CIE (x.y)	Typ. Luminous Intensity I_v (mcd)/Seg.	Forward Current I_F (mA)
Part No	Ref. PN	Part No	Ref. PN				
C-3880UB	MKC30UB098G	A-3880UB	MKA30UB093G	Blue	465	12	10
C-3880G	MKC30G101G	A-3880G	MKA30G096G	Yellow Green	570	2.9	10
C-3880Y	MKC30Y100G	A-3880Y	MKA30Y095G	Yellow	587	2.7	10
C-3880E	MKC30E102G	A-3880E	MKA30E097G	Super Red	628	2.8	10
C-3880SR	MKC30SR099G	A-3880SR	MKA30SR094G	Hyper Red	640	8	10



C-3570X

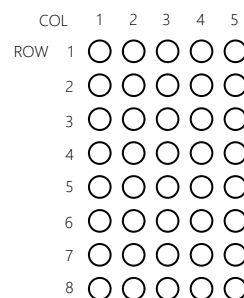
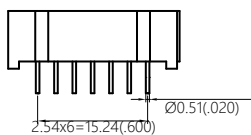
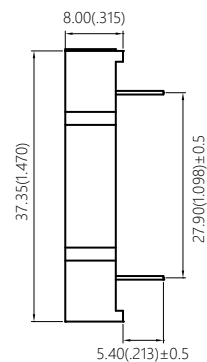
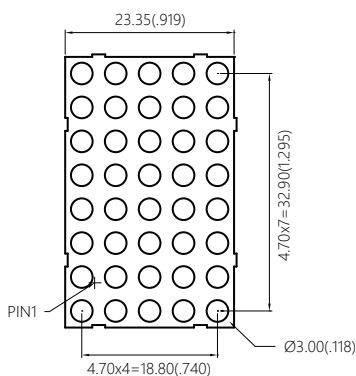


A-3570X

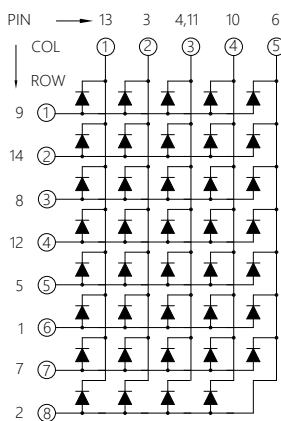


Unit : mm

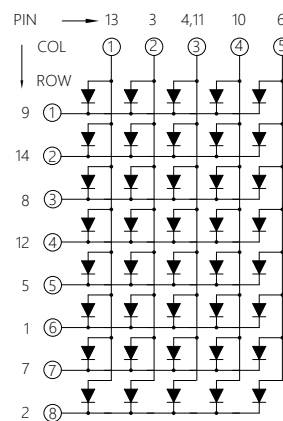
Common Cathode		Common Anode		Emitting Color	Wavelength λ_d (nm)/CIE (x,y)	Typ. Luminous Intensity I_v (mcd)/Seg.	Forward Current I_F (mA)
Part No	Ref. PN	Part No	Ref. PN				
C-3570UB	MKC30UB126G	A-3570UB	MKA30UB121G	Blue	465	10	10
C-3570G	MKC30G129G	A-3570G	MKA30G124G	Yellow Green	570	2.9	10
C-3570Y	MKC30Y128G	A-3570Y	MKA30Y123G	Yellow	587	2.7	10
C-3570E	MKC30E130G	A-3570E	MKA30E125G	Super Red	628	2.8	10
C-3570SR	MKC30SR127G	A-3570SR	MKA30SR122G	Hyper Red	640	8	10



C-3580X

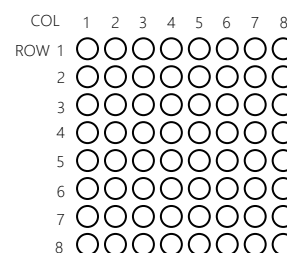
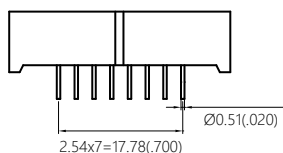
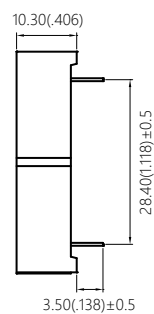
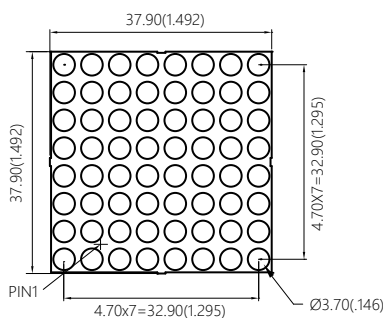


A-3580X

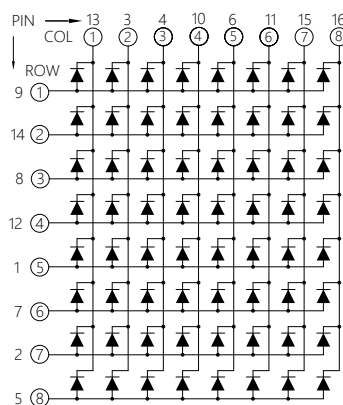


Unit : mm

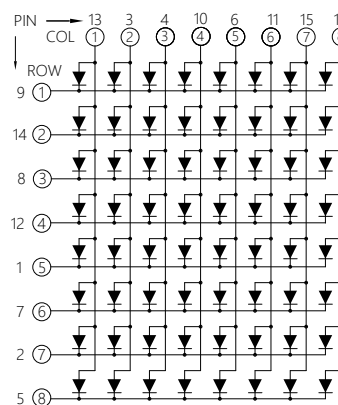
Common Cathode		Common Anode		Emitting Color	Wavelength λ _d (nm)/CIE (x,y)	Typ. Luminous Intensity I _v (mcd)/Seg.	Forward Current I _F (mA)
Part No	Ref. PN	Part No	Ref. PN				
C-3580G	MKC30G109G	A-3580G	MKA30G105G	Yellow Green	570	2.9	10
C-3580Y	MKC30Y0108G	A-3580Y	MKA30Y104G	Yellow	587	2.7	10
C-3580E	MKC30E110G	A-3580E	MKA30E106G	Super Red	628	2.8	10
C-3580SR	MKC30SR107G	A-3580SR	MKA30SR103G	Hyper Red	640	8	10



C-4880X

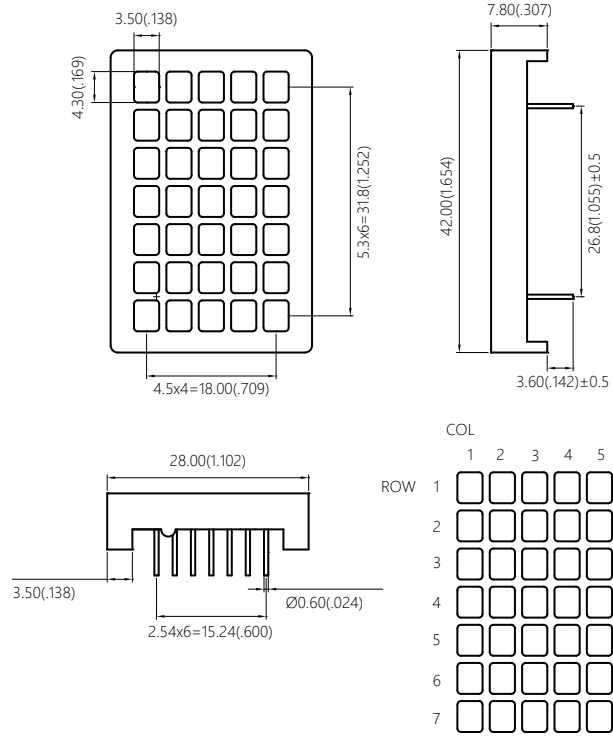


A-4880X



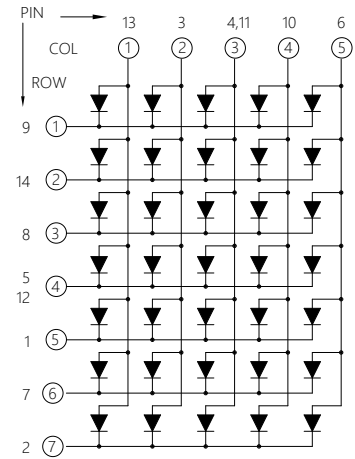
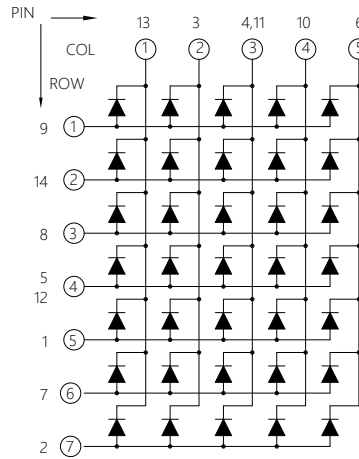
Unit : mm

Common Cathode		Common Anode		Emitting Color	Wavelength λ_d (nm)/CIE (x,y)	Typ. Luminous Intensity I_v (mcd)/Seg.	Forward Current I_F (mA)
Part No	Ref. PN	Part No	Ref. PN				
C-4880G	MKC40G091G	A-4880G	MKA40G087G	Yellow Green	570	3.6	10
C-4880Y	MKC40Y090G	A-4880Y	MKA40Y086G	Yellow	587	3.4	10
C-4880E	MKC40E092G	A-4880E	MKA40E088G	Super Red	628	3.5	10
C-4880SR	MKC40SR089G	A-4880SR	MKA40SR085G	Hyper Red	640	10	10



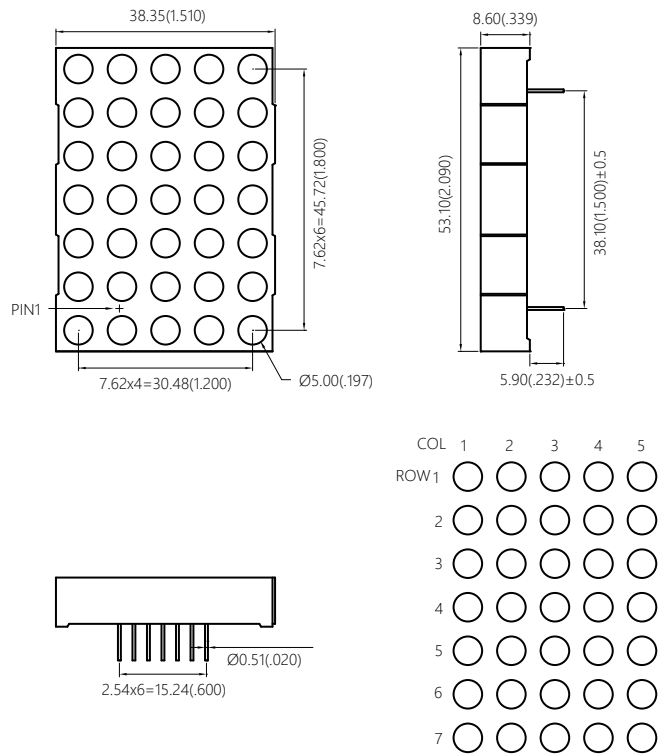
C-3573X

A-3573X

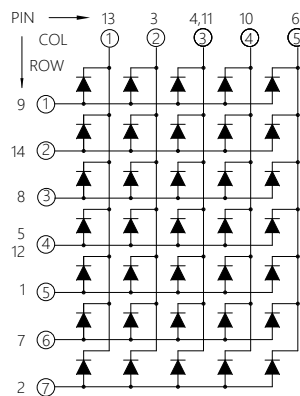


Unit : mm

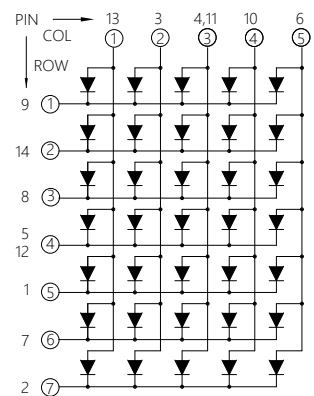
Common Cathode		Common Anode		Emitting Color	Wavelength λ_d (nm)/CIE (x.y)	Typ. Luminous Intensity I_v (mcd)/Seg.	Forward Current I_F (mA)
Part No	Ref. PN	Part No	Ref. PN				
C-3573G	MKC3BG055G	A-3573G	MKA3BG051G	Yellow Green	570	3.6	10
C-3573Y	MKC3BY054G	A-3573Y	MKA3BY050G	Yellow	587	3.4	10
C-3573E	MKC3BE056G	A-3573E	MKA3BE052G	Super Red	628	3.5	10
C-3573SR	MKC3BSR053G	A-3573SR	MKA3BSR049G	Hyper Red	640	10	10



C-5570X

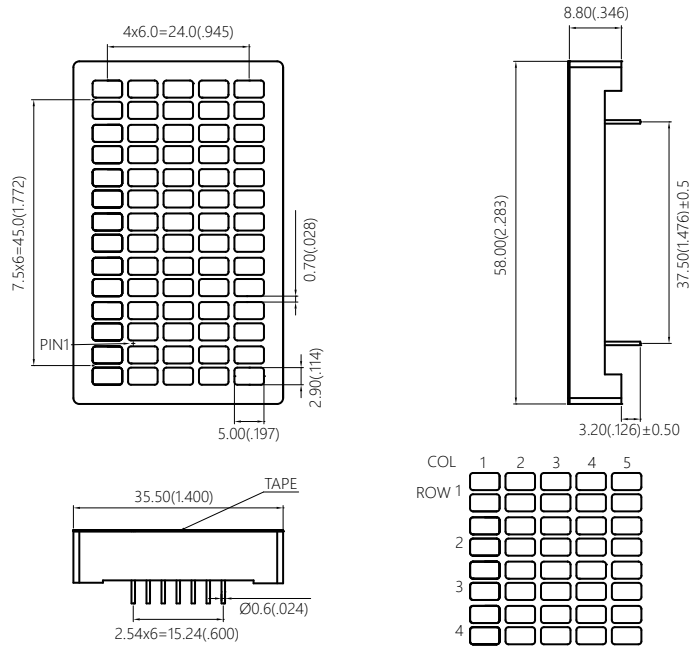


A-5570X



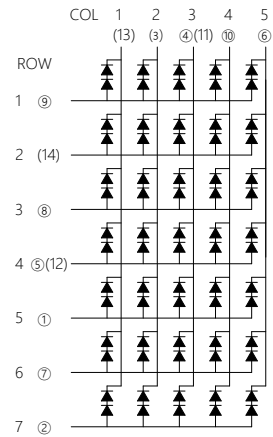
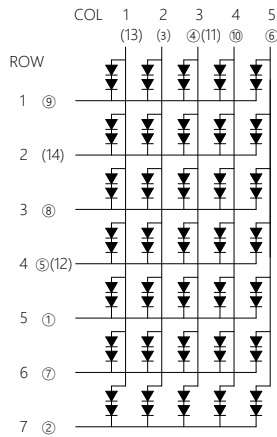
Unit : mm

Common Cathode		Common Anode		Emitting Color	Wavelength λ_d (nm)/CIE (x,y)	Typ. Luminous Intensity I_v (mcd)/Seg.	Forward Current I_F (mA)
Part No	Ref. PN	Part No	Ref. PN				
C-5570UB	MKC50UB080G	A-5570UB	MKA50UB075G	Blue	465	15	10
C-5570G	MKC50G083G	A-5570G	MKA50G078G	Yellow Green	570	3.8	10
C-5570Y	MKC50Y082G	A-5570Y	MKA50Y077G	Yellow	587	3.6	10
C-5570E	MKC50E084G	A-5570E	MKA50E079G	Super Red	628	3.7	10
C-5570SR	MKC50SR081G	A-5570SR	MKA50SR076G	Hyper Red	640	12	10



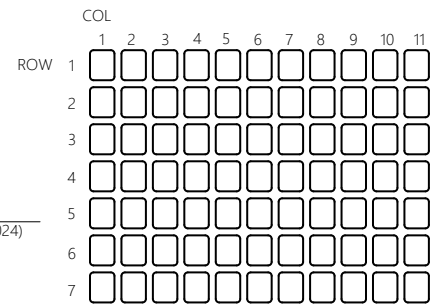
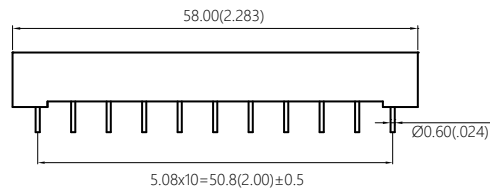
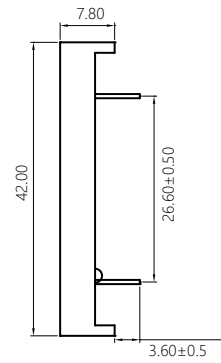
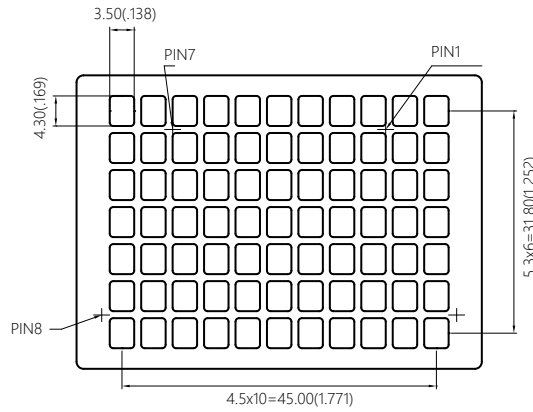
C-3514X

A-3514X

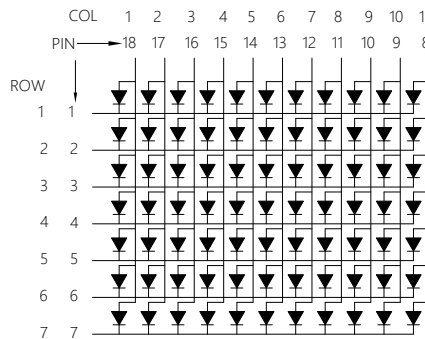


Unit : mm

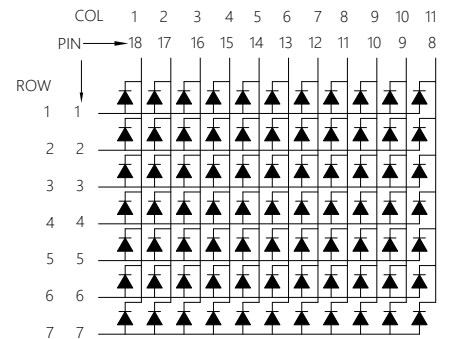
Common Cathode		Common Anode		Emitting Color	Wavelength λ_d (nm)/CIE (x.y)	Typ. Luminous Intensity I_v (mcd)/Seg.	Forward Current I_F (mA)
Part No	Ref. PN	Part No	Ref. PN				
C-3574G	MKC3BG047G	A-3574G	MKA3BG043G	Yellow Green	570	4	10
C-3574Y	MKC3BY046G	A-3574Y	MKA3BY042G	Yellow	587	3.6	10
C-3574E	MKC3BE048G	A-3574E	MKA3BE044G	Super Red	628	3.8	10
C-3574SR	MKC3BSR045G	A-3574SR	MKA3BSR041G	Hyper Red	640	12	10







A-3711X

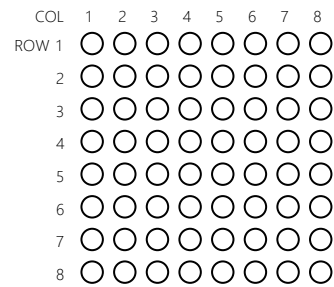
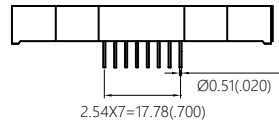
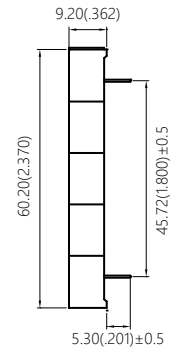
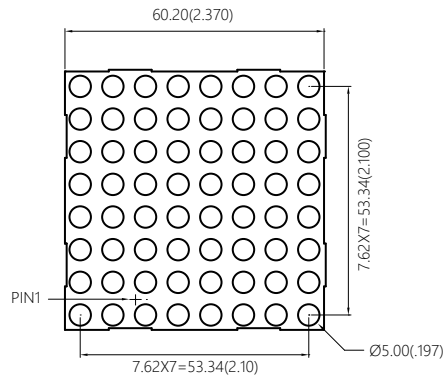


C-3711X

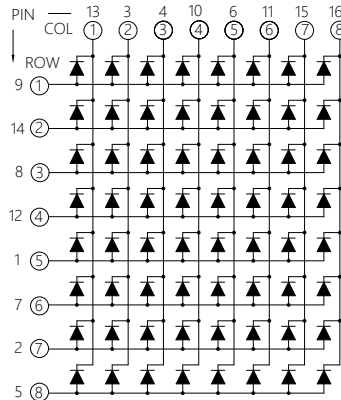


Unit : mm

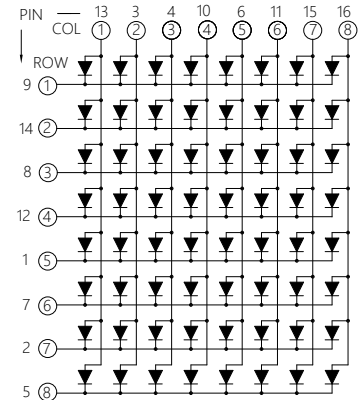
Common Cathode		Common Anode		Emitting Color	Wavelength λ_d (nm)/CIE (x,y)	Typ. Luminous Intensity I_v (mcd)/Seg.	Forward Current I_F (mA)
Part No	Ref. PN	Part No	Ref. PN				
C-3711G	MKC3BG039G	A-3711G	MKA3BG035G	 Yellow Green	570	3.6	10
C-3711Y	MKC3BY038G	A-3711Y	MKA3BY034G	 Yellow	587	3.4	10
C-3711E	MKC3BE040G	A-3711E	MKA3BE036G	 Super Red	628	3.5	10
C-3711SR	MKC3BSR037G	A-3711SR	MKA3BSR033G	 Hyper Red	640	10	10







C-5880X

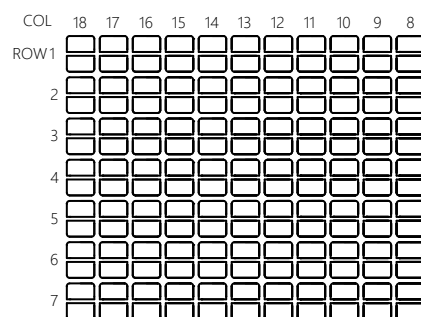
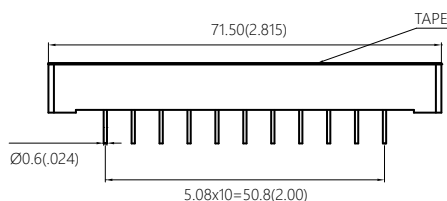
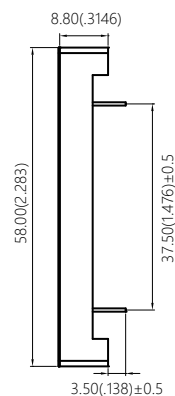
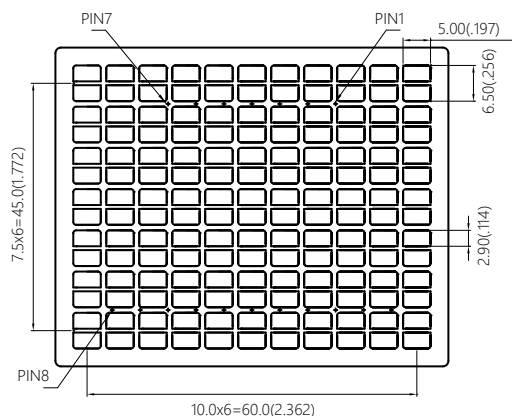
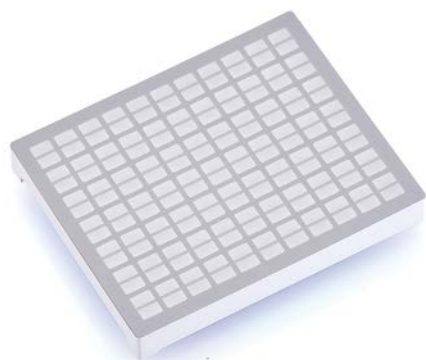


A-5880X



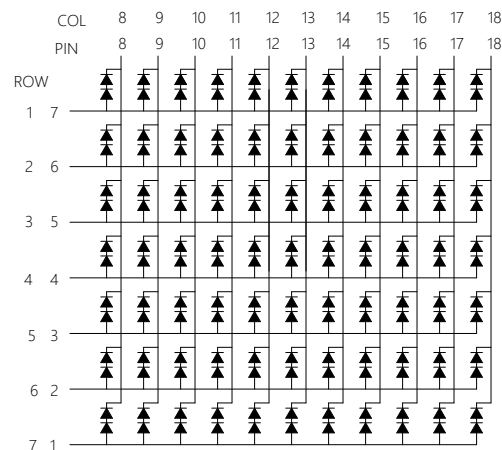
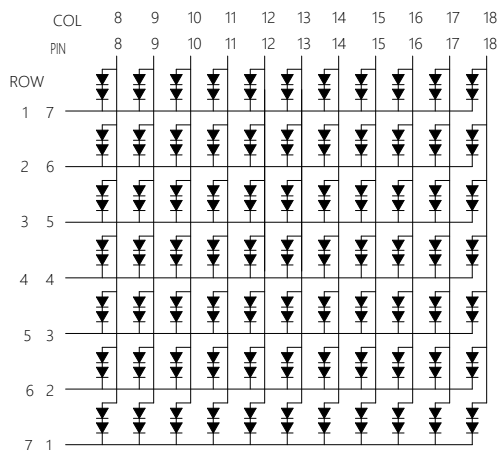
Unit : mm

Common Cathode		Common Anode		Emitting Color	Wavelength λ_d (nm)/CIE (x,y)	Typ. Luminous Intensity I_v (mcd)/Seg.	Forward Current I_F (mA)
Part No	Ref. PN	Part No	Ref. PN				
C-5880G	MKC50G073G	A-5880G	MKA50G069G	 Yellow Green	570	3.8	10
C-5880Y	MKC50Y072G	A-5880Y	MKA50Y068G	 Yellow	587	3.6	10
C-5880E	MKC50E074G	A-5880E	MKA50E070G	 Super Red	628	3.7	10
C-5880SR	MKC50SR071G	A-5880SR	MKA50SR067G	 Hyper Red	640	12	10



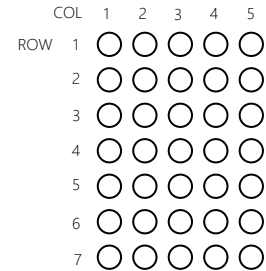
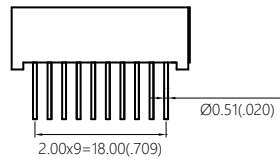
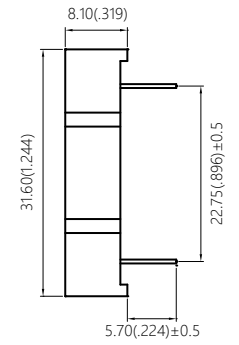
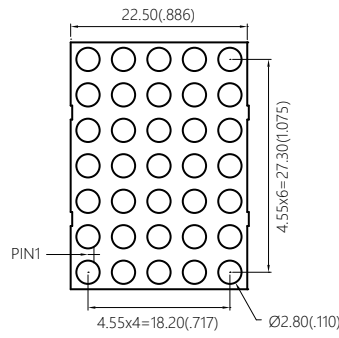
C-5711X

A-5711X

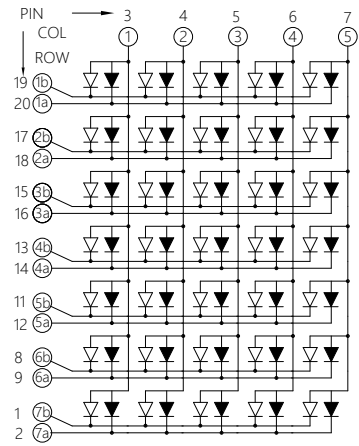


Unit : mm

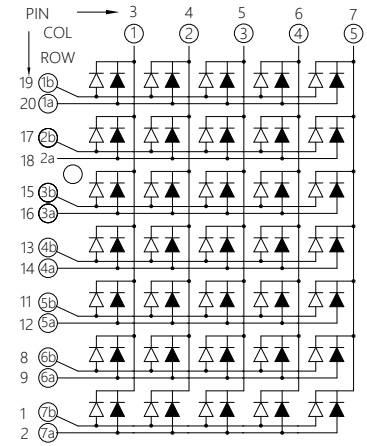
Common Cathode		Common Anode		Emitting Color	Wavelength λ _d (nm)/CIE (x.y)	Typ. Luminous Intensity I _v (mcd)/Seg.	Forward Current I _F (mA)
Part No	Ref. PN	Part No	Ref. PN				
C-5711G	MKC5BG031G	A-5711G	MKA5BG027G	Yellow Green	570	4	10
C-5711Y	MKC5BY030G	A-5711Y	MKA5BY026G	Yellow	587	3.6	10
C-5711E	MKC5BE032G	A-5711E	MKA5BE028G	Super Red	628	3.8	10
C-5711SR	MKC5BSR029G	A-5711SR	MKA5BSR025G	Hyper Red	640	12	10



C-3571EG



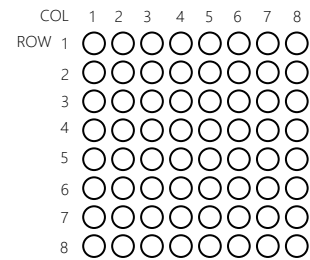
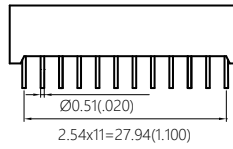
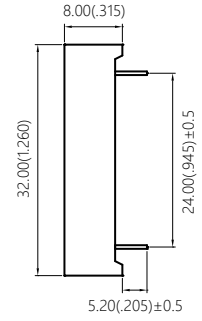
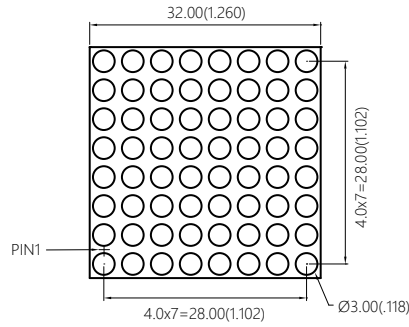
A-3571EG



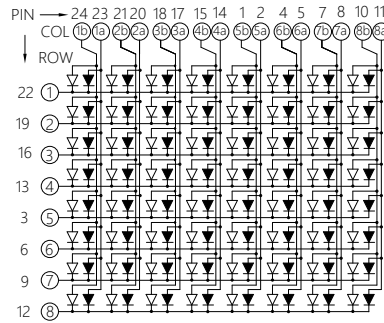
a for Hi.effi Red color chip
 b for Yellow Green color chip

Unit : mm

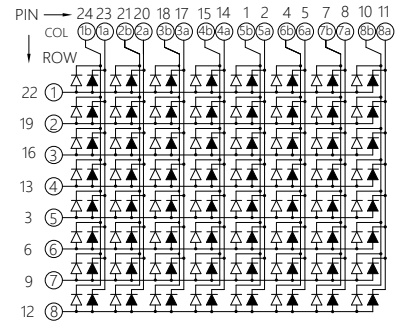
Common Cathode		Common Anode		Emitting Color	Wavelength λ _d (nm)/CIE (x.y)	Typ. Luminous Intensity I _v (mcd)/Seg.	Forward Current I _F (mA)
Part No	Ref. PN	Part No	Ref. PN				
C-3571EG	MKC30EG066G	A-3571EG	MKA30EG065G	Super Red	628	2.8	10
				Yellow Green	570	2.9	10



C-3880EG



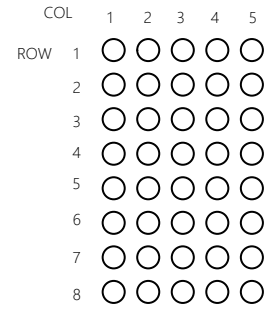
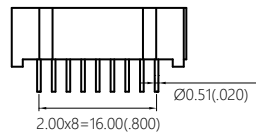
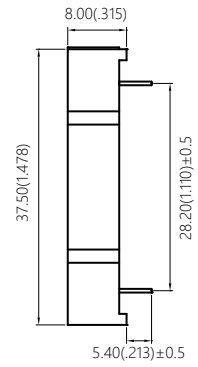
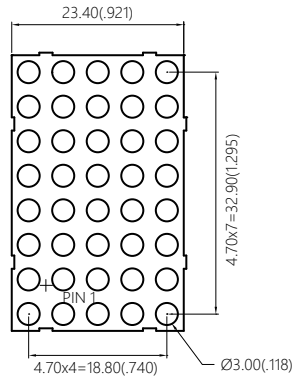
A-3880EG



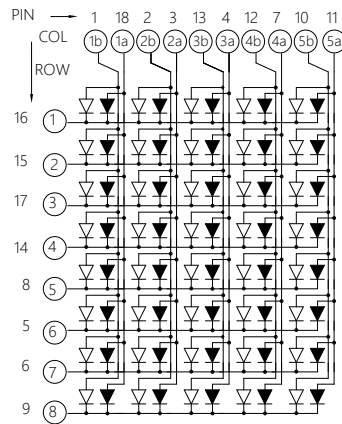
a for Hi.effi Red color chip
 b for Yellow Green color chip

Unit : mm

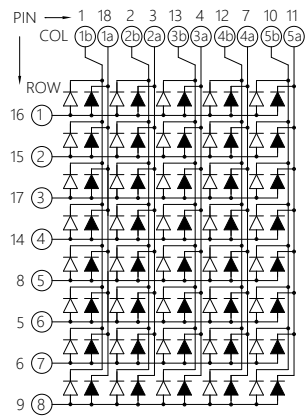
Common Cathode		Common Anode		Emitting Color	Wavelength λ_d (nm)/CIE (x.y)	Typ. Luminous Intensity I_v (mcd)/Seg.	Forward Current I_F (mA)
Part No	Ref. PN	Part No	Ref. PN				
C-3880EG	MKC30EG062G	A-3880EG	MKA30EG061G	Super Red	628	2.8	10
				Yellow Green	570	2.9	10



C-3580EG



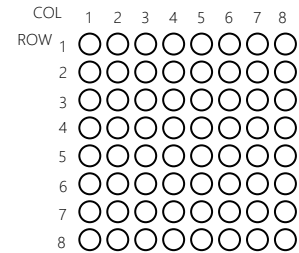
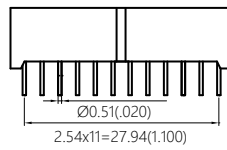
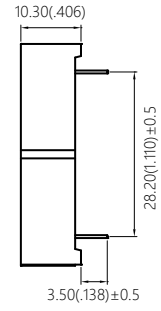
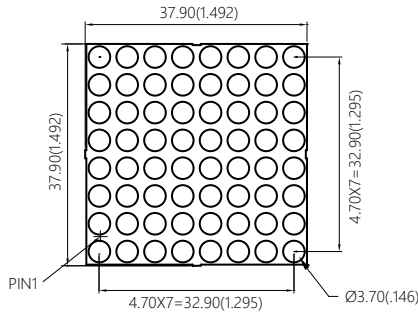
A-3580EG



a for Hi.effi Red color chip
 b for Yellow Green color chip

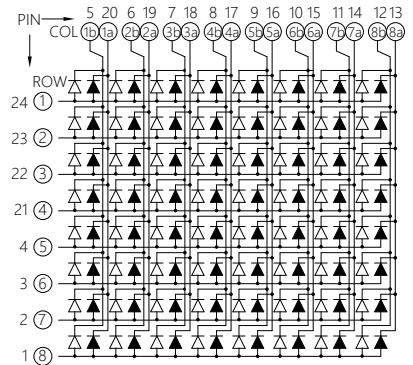
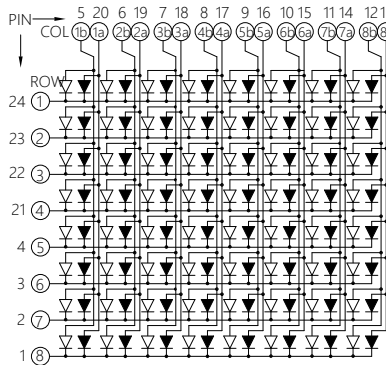
Unit : mm

Common Cathode		Common Anode		Emitting Color	Wavelength λ_d (nm)/CIE (x.y)	Typ. Luminous Intensity I_v (mcd)/Seg.	Forward Current I_F (mA)
Part No	Ref. PN	Part No	Ref. PN				
C-3580EG	MKC30EG064G	A-3580EG	MKA30EG063G	Super Red	628	2.8	10
				Yellow Green	570	2.9	10



C-4880EG

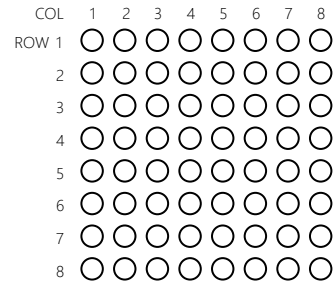
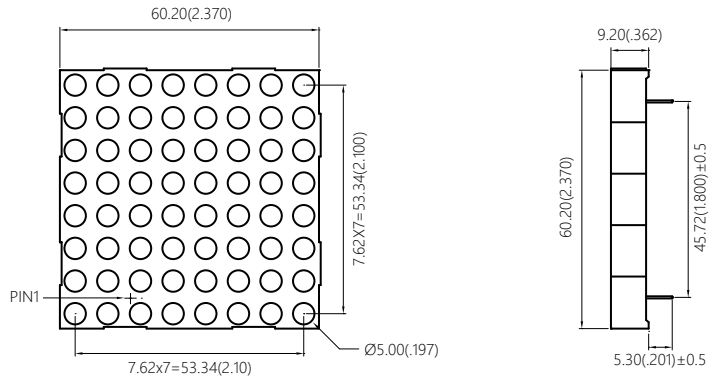
A-4880EG



a for Hi.effi Red color chip
 b for Yellow Green color chip

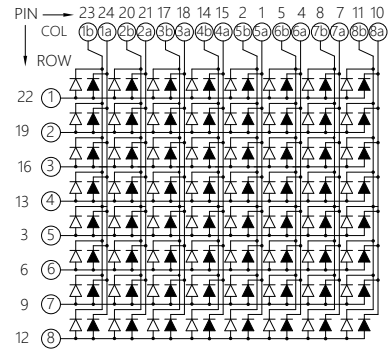
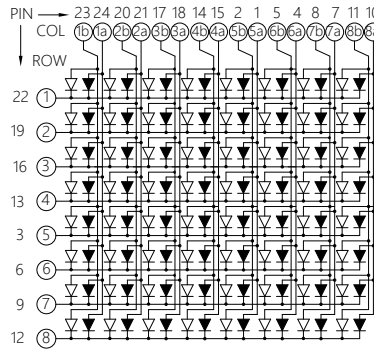
Unit : mm

Common Cathode		Common Anode		Emitting Color	Wavelength λ_d (nm)/CIE (x,y)	Typ. Luminous Intensity I_v (mcd)/Seg.	Forward Current I_F (mA)
Part No	Ref. PN	Part No	Ref. PN				
C-4880EG	MKC40EG060G	A-4880EG	MKA40EG059G	Super Red	628	3.5	10
				Yellow Green	570	3.6	10



C-5880EG

A-5880EG

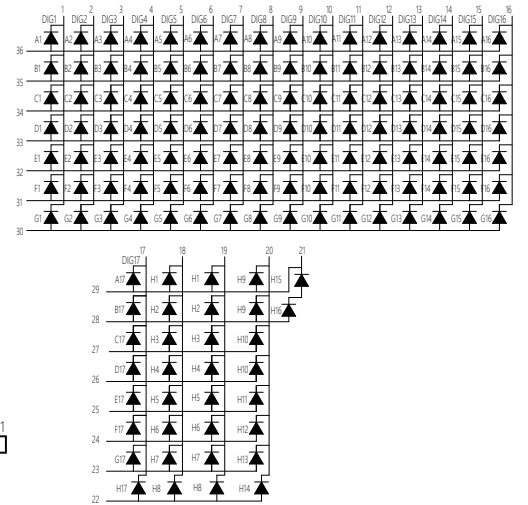
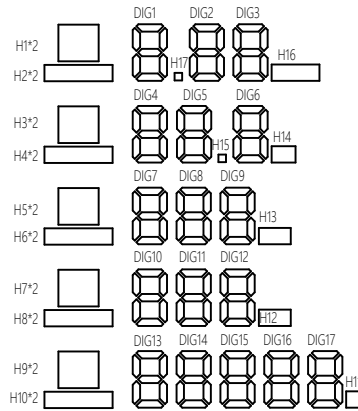
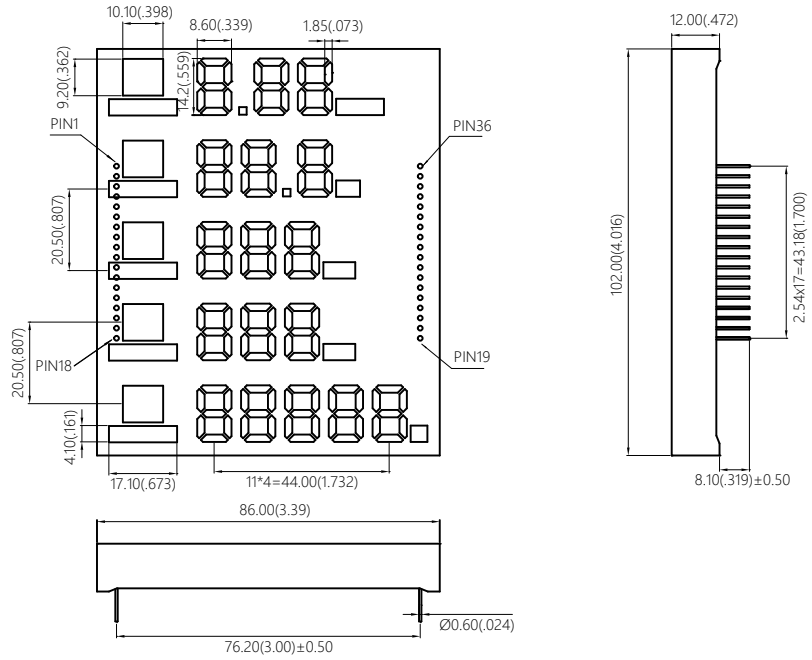
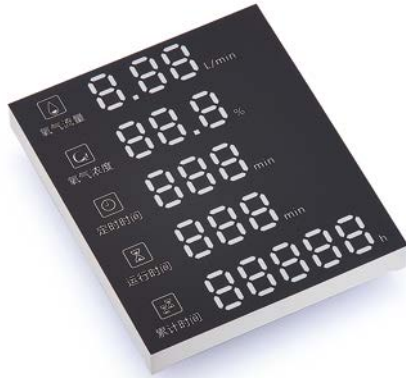


a for Hi.effi Red color chip
 b for Yellow Green color chip

Unit : mm

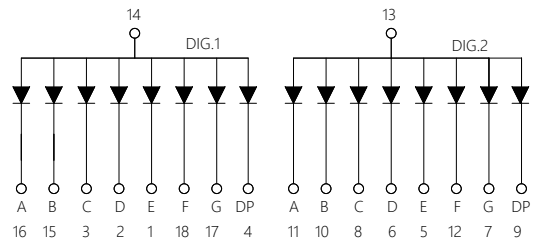
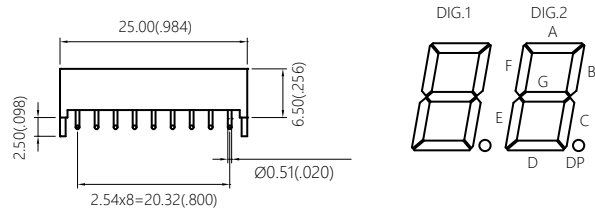
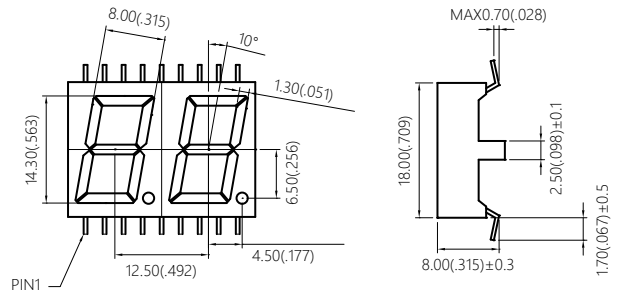
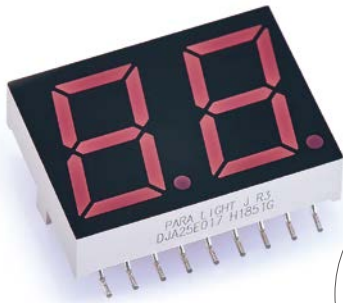
Common Cathode		Common Anode		Emitting Color	Wavelength λ_d (nm)/CIE (x.y)	Typ. Luminous Intensity I_v (mcd)/Seg.	Forward Current I_F (mA)
Part No	Ref. PN	Part No	Ref. PN				
C-5880EG	MKC50EG058G	A-5880EG	MKA50EG057G	Super Red	628	3.7	10
				Yellow Green	570	3.8	10

*Any custom-made LED Display requirement, please contact Para Light sales teams or Para Light distributors.



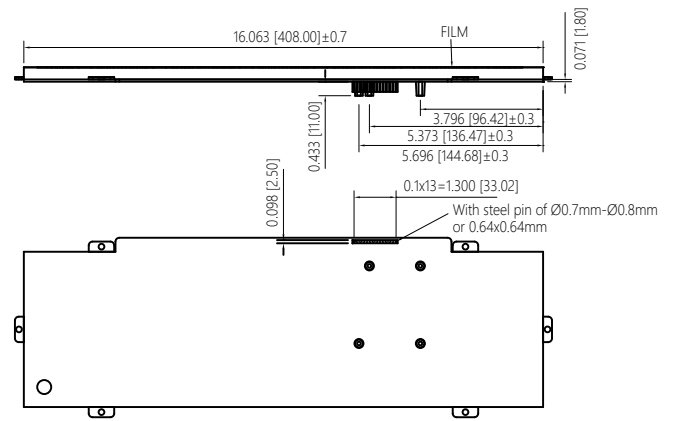
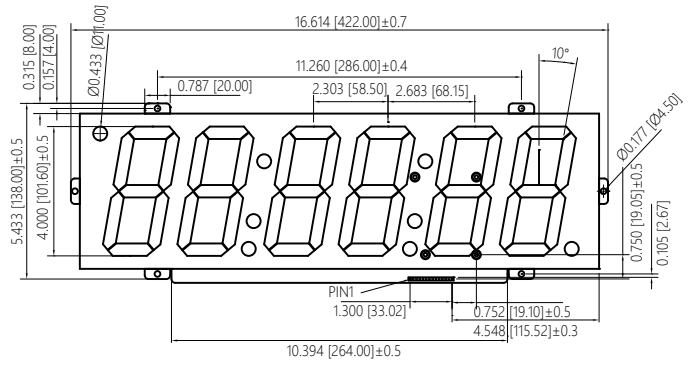
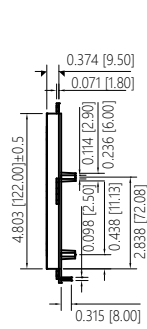
Unit : mm

*Any custom-made LED Display requirement, please contact Para Light sales teams or Para Light distributors.



Unit : mm

*Any custom-made LED Display requirement, please contact Para Light sales teams or Para Light distributors.



Unit : mm

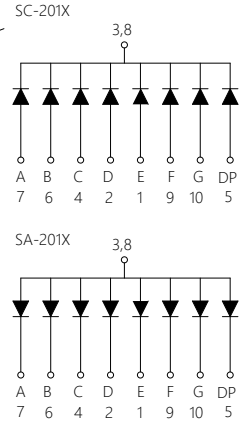
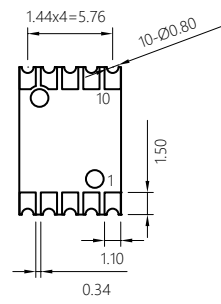
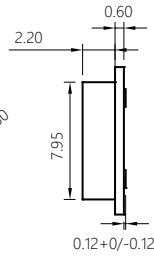
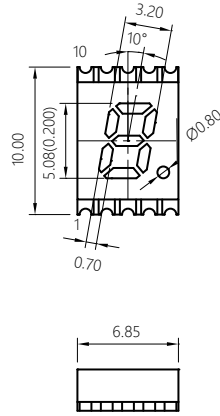
Smart Displays



0.2 inch

Single Digit

SC/A-201X



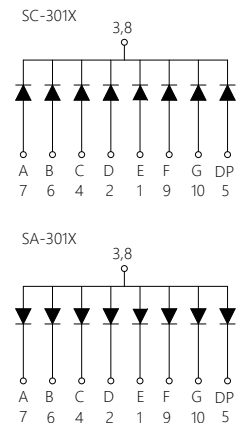
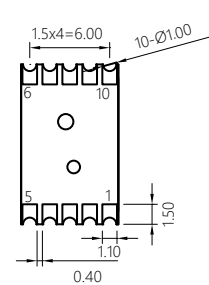
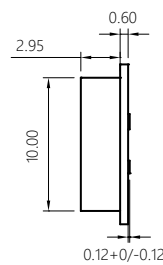
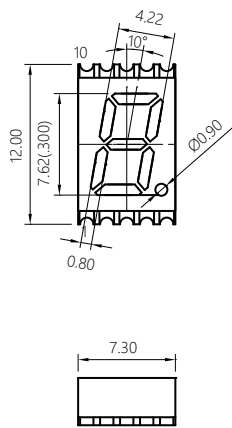
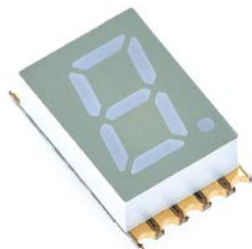
Unit : mm

Common Cathode		Common Anode		Emitting Color	Wavelength λ_d (nm)/CIE (x.y)	Typ. Luminous Intensity I_v (mcd)/Seg.	Forward Current I_f (mA)
Part No	Ref. PN	Part No	Ref. PN				
SC-201LE1	SC201LE1999	SA-201LE1	SA201LE1082	Orange Red	622	8	10
SC-201G1	SC201G1998	SA-201G1	SA201G1092	Yellow Green	570	2	10
SC-201UB	SC201UB997	SA-201UB	SA201UB102	Blue	465	10	10
SC-201UW	SC201UW996	SA-201UW	SA201UW112	White	(0.30, 0.30)	60	10

0.3 inch

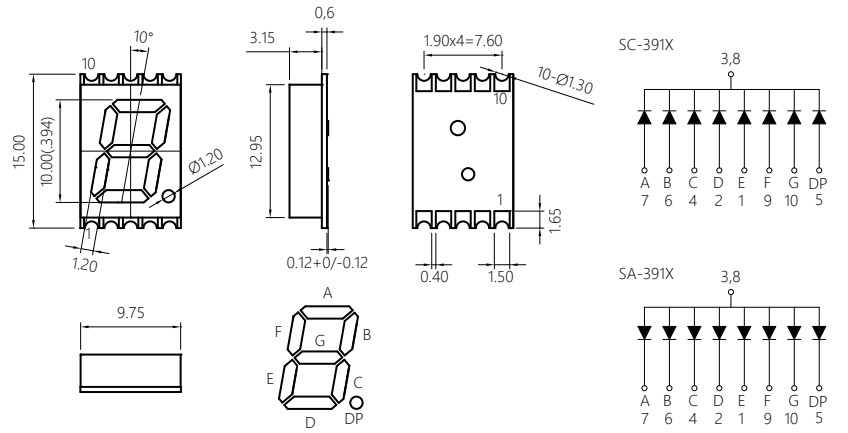
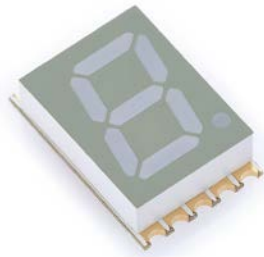
Single Digit

SC/A-301X



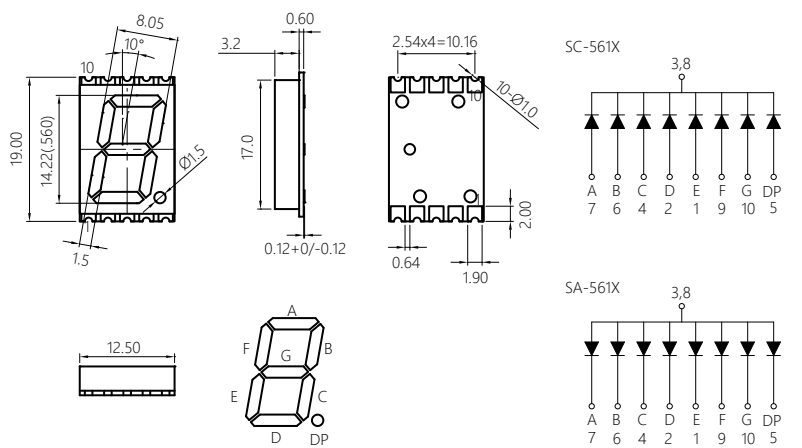
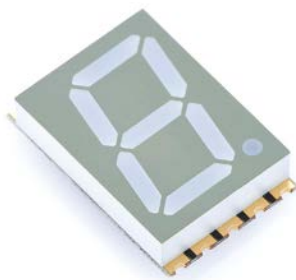
Unit : mm

Common Cathode		Common Anode		Emitting Color	Wavelength λ_d (nm)/CIE (x.y)	Typ. Luminous Intensity I_v (mcd)/Seg.	Forward Current I_f (mA)
Part No	Ref. PN	Part No	Ref. PN				
SC-301LE1	SC301LE1995	SA-301LE1	SA301LE1083	Orange Red	622	10	10
SC-301G1	SC301G1994	SA-301G1	SA301G1093	Yellow Green	570	2.5	10
SC-301UB	SC301UB993	SA-301UB	SA301UB103	Blue	465	12	10
SC-301UW	SC301UW992	SA-301UW	SA301UW113	White	(0.30, 0.30)	68	10



Unit : mm

Common Cathode		Common Anode		Emitting Color	Wavelength λ_d (nm)/CIE (x.y)	Typ. Luminous Intensity I_v (mcd)/Seg.	Forward Current I_F (mA)
Part No	Ref. PN	Part No	Ref. PN				
SC-391LR1	SC391LR1991	SA-391LR1	SA391LR1084	Super Red	631	12	10
SC-391G1	SC391G1990	SA-391G1	SA391G1094	Yellow Green	570	4	10
SC-391UB	SC391UB989	SA-391UB	SA391UB104	Blue	465	14	10
SC-391UW	SC391UW988	SA-391UW	SA391UW114	White	(0.30, 0.31)	75	10



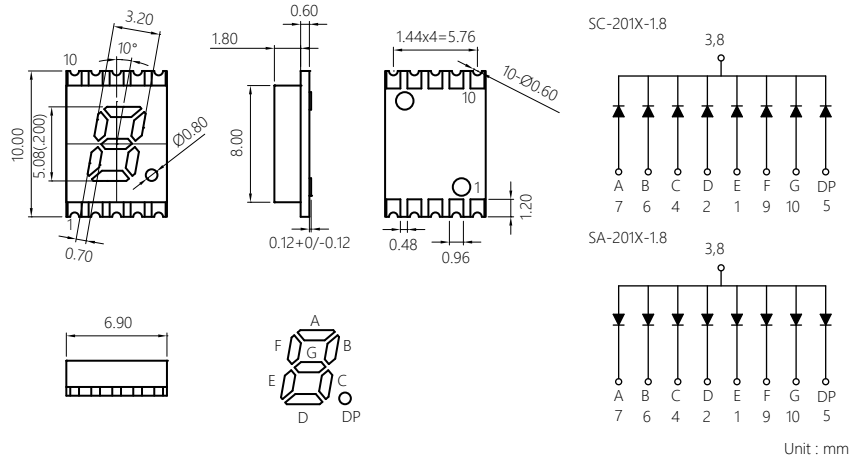
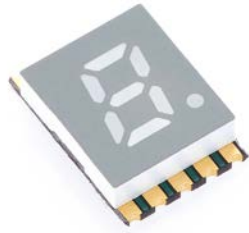
Unit : mm

Common Cathode		Common Anode		Emitting Color	Wavelength λ_d (nm)/CIE (x.y)	Typ. Luminous Intensity I_v (mcd)/Seg.	Forward Current I_F (mA)
Part No	Ref. PN	Part No	Ref. PN				
SC-561LR1	SC561LR1987	SA-561LR1	SA561LR1085	Super Red	631	16	10
SC-561G1	SC561G1986	SA-561G1	SA561G1095	Yellow Green	570	6	10
SC-561UB	SC561UB985	SA-561UB	SA561UB105	Blue	465	18	10
SC-561UW	SC561UW984	SA-561UW	SA561UW115	White	(0.30, 0.31)	80	10

0.2 inch

Single Digit

SC/A-201X-1.8 (Ultra Thin)



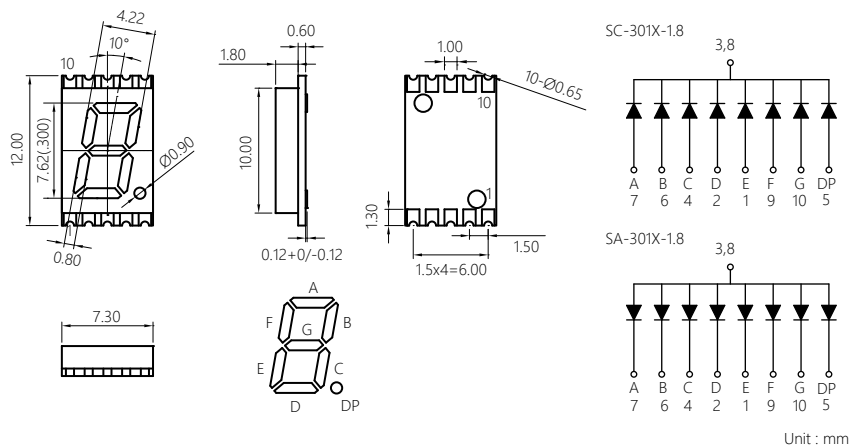
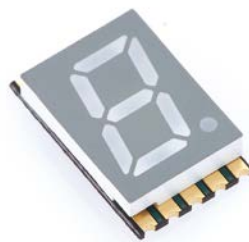
Unit : mm

Common Cathode		Common Anode		Emitting Color	Wavelength λ_d (nm)/CIE (x.y)	Typ. Luminous Intensity I_v (mcd)/Seg.	Forward Current I_f (mA)
Part No	Ref. PN	Part No	Ref. PN				
SC-201LE1-1.8	SC201LE1963	SA-201LE1-1.8	SA201LE1122	Orange Red	622	15	10
SC-201G1-1.8	SC201G1962	SA-201G1-1.8	SA201G1123	Yellow Green	570	3.5	10
SC-201UB-1.8	SC201UB961	SA-201UB-1.8	SA201UB124	Blue	465	19	10
SC-201UW-1.8	SC201UW960	SA-201UW-1.8	SA201UW125	White	(0.30, 0.30)	80	10

0.3 inch

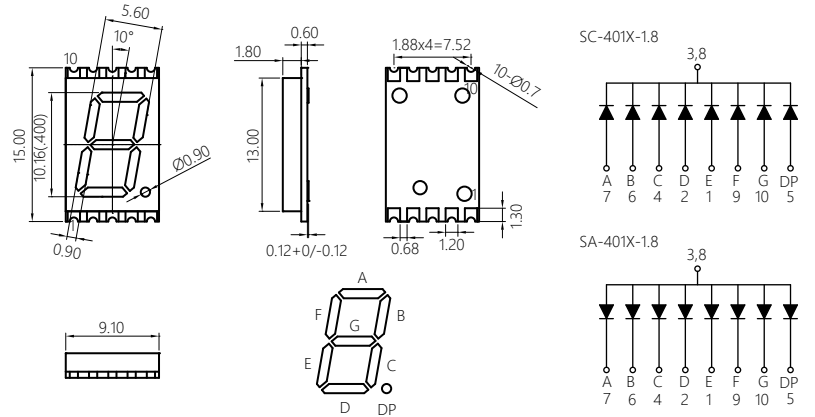
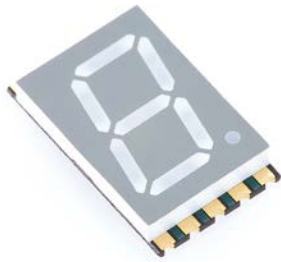
Single Digit





SC/A-301X-1.8 (Ultra Thin)



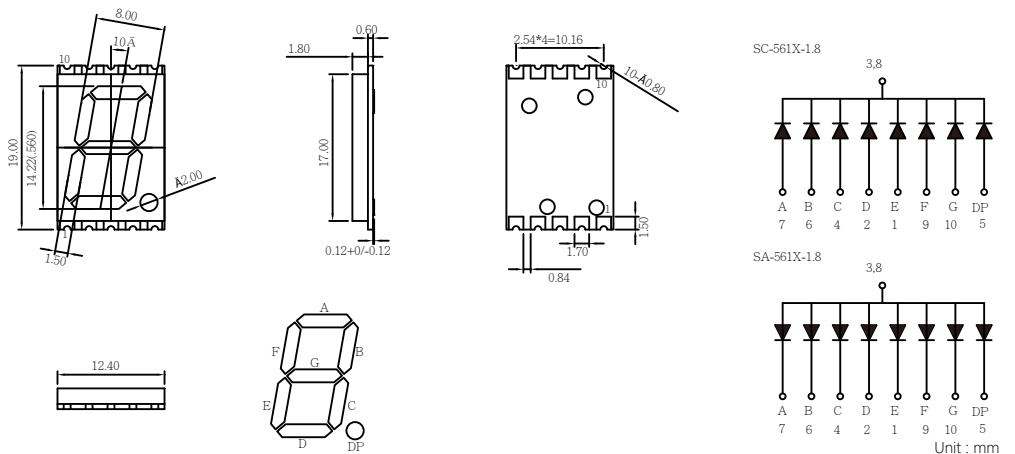
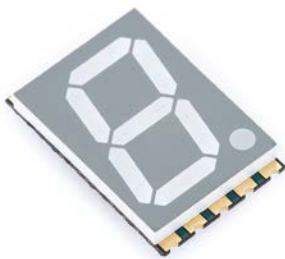
Unit : mm





Common Cathode		Common Anode		Emitting Color	Wavelength λ_d (nm)/CIE (x.y)	Typ. Luminous Intensity I_v (mcd)/Seg.	Forward Current I_f (mA)
Part No	Ref. PN	Part No	Ref. PN				
SC-301LR1-1.8	SC301LR1959	SA-301LR1-1.8	SA301LR1126	Super Red	631	18	10
SC-301G1-1.8	SC301G1958	SA-301G1-1.8	SA301G1127	Yellow Green	570	5	10
SC-301UB-1.8	SC301UB957	SA-301UB-1.8	SA301UB128	Blue	465	21	10
SC-301UW-1.8	SC301UW956	SA-301UW-1.8	SA301UW129	White	(0.30, 0.31)	100	10



Common Cathode		Common Anode		Emitting Color	Wavelength λ_d (nm)/CIE (x,y)	Typ. Luminous Intensity I_v (mcd)/Seg.	Forward Current I_F (mA)
Part No	Ref. PN	Part No	Ref. PN				
SC-401LR1-1.8	SC401LR1955	SA-401LR1-1.8	SA401LR1130	 Super Red	631	22	10
SC-401G1-1.8	SC401G1954	SA-401G1-1.8	SA401G1131	 Yellow Green	570	8.5	10
SC-401UB-1.8	SC401UB953	SA-401UB-1.8	SA401UB132	 Blue	465	30	10
SC-401UW-1.8	SC401UW952	SA-401UW-1.8	SA401UW133	 White	(0.30, 0.31)	120	10

Unit : mm



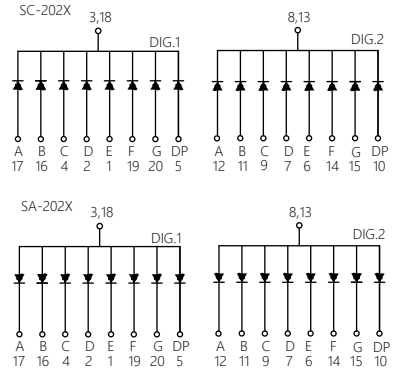
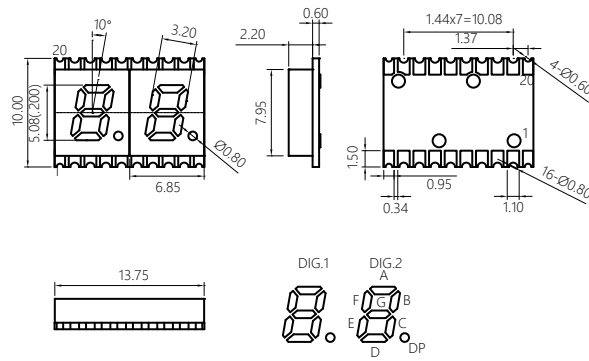
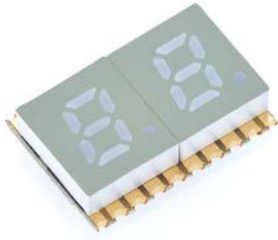
Common Cathode		Common Anode		Emitting Color	Wavelength λ_d (nm)/CIE (x,y)	Typ. Luminous Intensity I_v (mcd)/Seg.	Forward Current I_F (mA)
Part No	Ref. PN	Part No	Ref. PN				
SC-561LR1-1.8	SC561LR1951	SA-561LR1-1.8	SA561LR1134	 Super Red	631	25	10
SC-561G1-1.8	SC561G1950	SA-561G1-1.8	SA561G1135	 Yellow Green	570	10	10
SC-561UB-1.8	SC561UB949	SA-561UB-1.8	SA561UB136	 Blue	465	45	10
SC-561UW-1.8	SC561UW948	SA-561UW-1.8	SA561UW137	 White	(0.30, 0.31)	180	10

Unit : mm

0.2 inch

Dual Digit

SC/A-202X



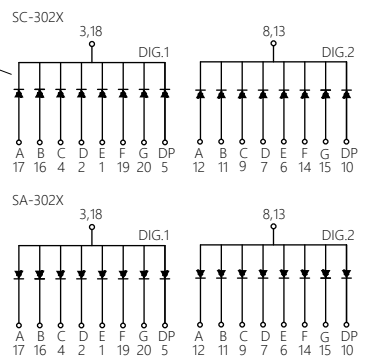
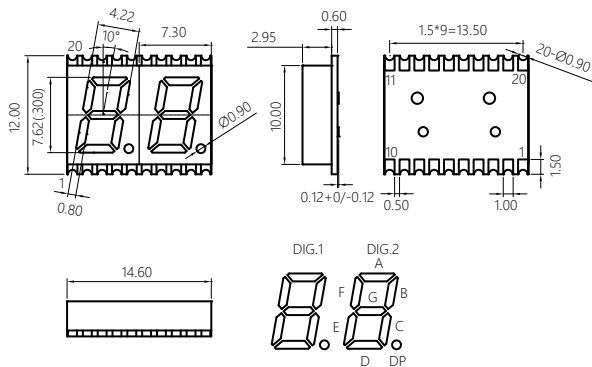
Unit : mm

Common Cathode		Common Anode		Emitting Color	Wavelength λ_d (nm)/CIE (x.y)	Typ. Luminous Intensity I_v (mcd)/Seg.	Forward Current I_f (mA)
Part No	Ref. PN	Part No	Ref. PN				
SC-202LE1	SC202LE1983	SA-202LE1	SA202LE1086	Orange Red	622	8	10
SC-202G1	SC202G1982	SA-202G1	SA202G1096	Yellow Green	570	2	10
SC-202UB	SC202UB981	SA-202UB	SA202UB106	Blue	465	10	10
SC-202UW	SC202UW980	SA-202UW	SA202UW116	White	(0.30, 0.30)	60	10

0.3 inch

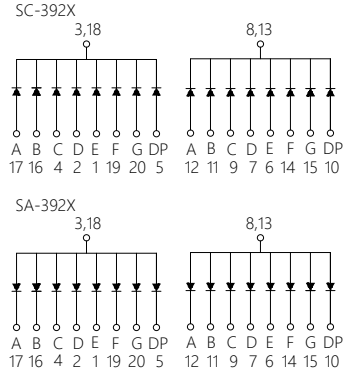
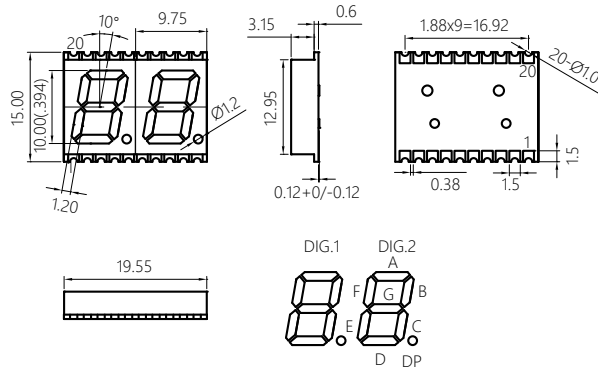
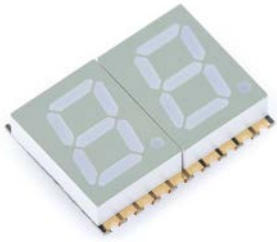
Dual Digit

SC/A-302X



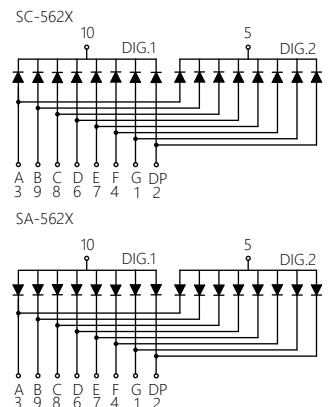
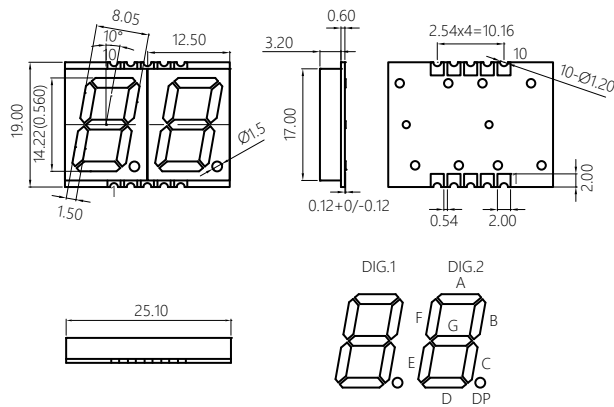
Unit : mm

Common Cathode		Common Anode		Emitting Color	Wavelength λ_d (nm)/CIE (x.y)	Typ. Luminous Intensity I_v (mcd)/Seg.	Forward Current I_f (mA)
Part No	Ref. PN	Part No	Ref. PN				
SC-302LE1	SC302LE1979	SA-302LE1	SA302LE1087	Orange Red	622	10	10
SC-302G1	SC302G1978	SA-302G1	SA302G1097	Yellow Green	570	2.5	10
SC-302UB	SC302UB977	SA-302UB	SA302UB107	Blue	465	12	10
SC-302UW	SC302UW976	SA-302UW	SA302UW117	White	(0.30, 0.30)	68	10



Unit : mm

Common Cathode		Common Anode		Emitting Color	Wavelength λ_d (nm)/CIE (x.y)	Typ. Luminous Intensity I_v (mcd)/Seg.	Forward Current I_F (mA)
Part No	Ref. PN	Part No	Ref. PN				
SC-392LR1	SC392LR1975	SA-392LR1	SA392LR1088	Super Red	631	12	10
SC-392G1	SC392G1974	SA-392G1	SA392G1098	Yellow Green	570	4	10
SC-392UB	SC392UB973	SA-392UB	SA392UB108	Blue	465	14	10
SC-392UW	SC392UW972	SA-392UW	SA392UW118	White	(0.30, 0.31)	75	10



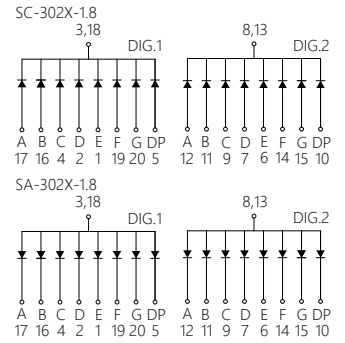
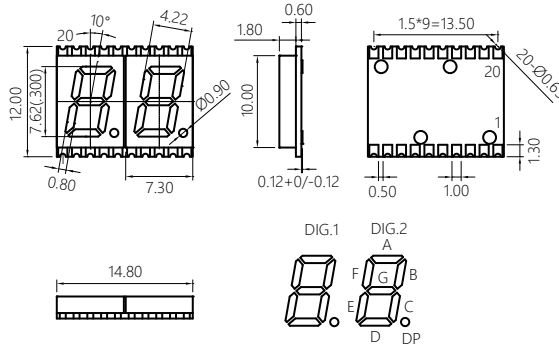
Unit : mm

Common Cathode		Common Anode		Emitting Color	Wavelength λ_d (nm)/CIE (x.y)	Typ. Luminous Intensity I_v (mcd)/Seg.	Forward Current I_F (mA)
Part No	Ref. PN	Part No	Ref. PN				
SC-562LR1	SC562LR1971	SA-562LR1	SA562LR1089	Super Red	631	16	10
SC-562G1	SC562G1970	SA-562G1	SA562G1099	Yellow Green	570	6	10
SC-562UB	SC562UB969	SA-562UB	SA562UB109	Blue	465	18	10
SC-562UW	SC562UW968	SA-562UW	SA562UW119	White	(0.30, 0.31)	80	10

0.3 inch

Dual Digit

SC/A-302X-1.8 (Ultra Thin)



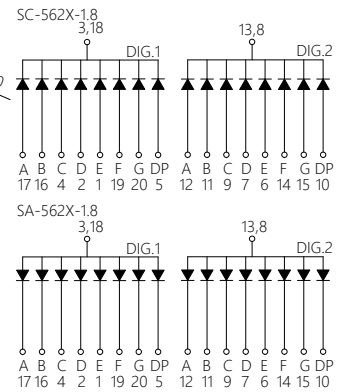
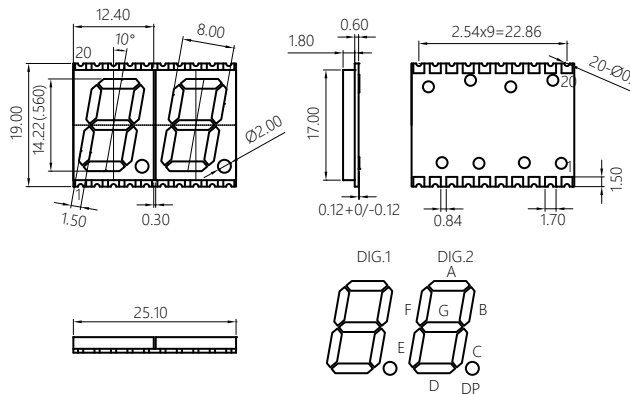
Unit : mm

Common Cathode		Common Anode		Emitting Color	Wavelength λ_d (nm)/CIE (x,y)	Typ. Luminous Intensity I_v (mcd)/Seg.	Forward Current I_f (mA)
Part No	Ref. PN	Part No	Ref. PN				
SC-3021LR1-1.8	SC302LR1947	SA-302LR1-1.8	SA302LR1138	Super Red	631	18	10
SC-302G1-1.8	SC302G1946	SA-302G1-1.8	SA302G1139	Yellow Green	570	5	10
SC-302UB-1.8	SC302UB945	SA-302UB-1.8	SA302UB140	Blue	465	21	10
SC-302UW-1.8	SC302UW944	SA-302UW-1.8	SA302UW141	White	(0.30, 0.31)	100	10

0.56 inch

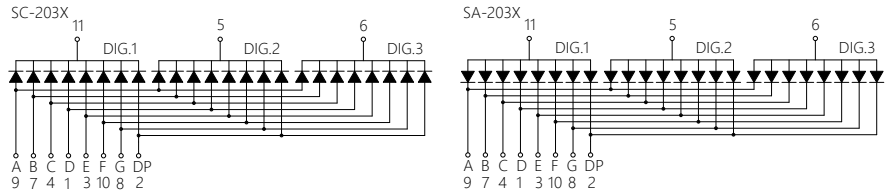
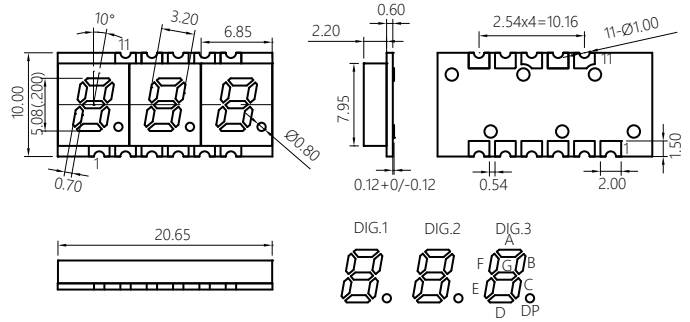
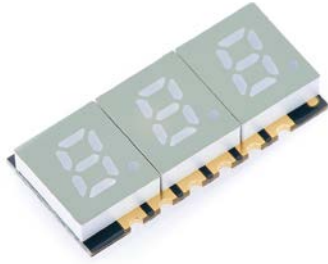
Dual Digit

SC/A-562X-1.8 (Ultra Thin)



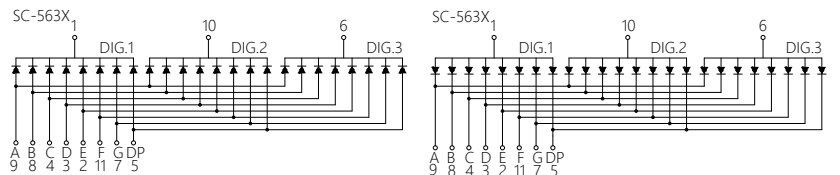
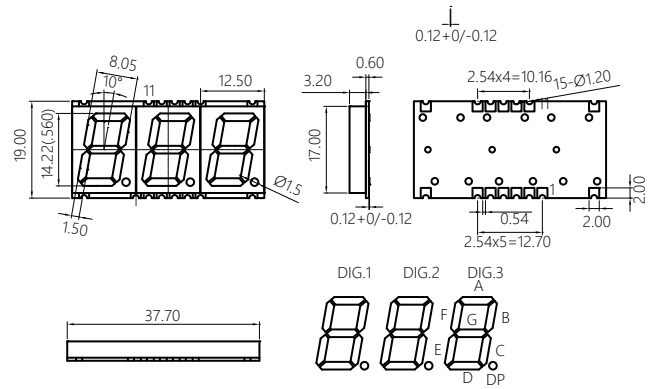
Unit : mm

Common Cathode		Common Anode		Emitting Color	Wavelength λ_d (nm)/CIE (x,y)	Typ. Luminous Intensity I_v (mcd)/Seg.	Forward Current I_f (mA)
Part No	Ref. PN	Part No	Ref. PN				
SC-5621LR1-1.8	SC562LR1943	SA-562LR1-1.8	SA562LR1142	Super Red	631	25	10
SC-562G1-1.8	SC562G1942	SA-562G1-1.8	SA562G1143	Yellow Green	570	10	10
SC-562UB-1.8	SC562UB941	SA-562UB-1.8	SA562UB144	Blue	465	45	10
SC-562UW-1.8	SC562UW940	SA-562UW-1.8	SA562UW145	White	(0.30, 0.31)	180	10



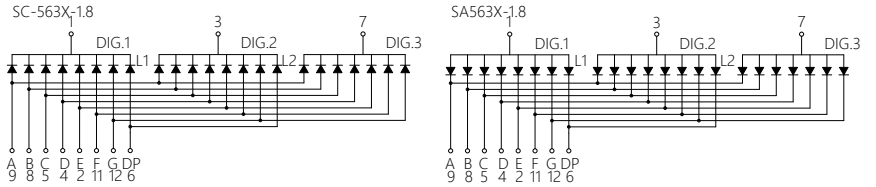
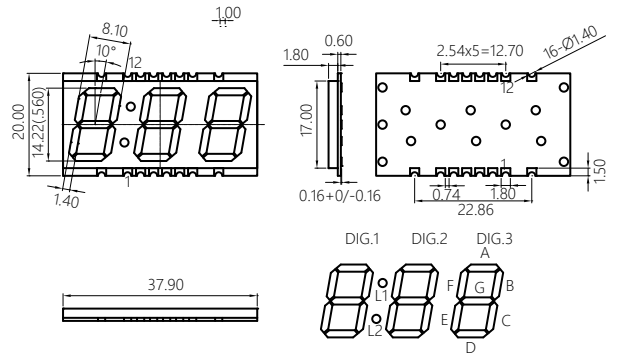
Unit : mm

Common Cathode		Common Anode		Emitting Color	Wavelength λ_d (nm)/CIE (x,y)	Typ. Luminous Intensity I_v (mcd)/Seg.	Forward Current I_F (mA)
Part No	Ref. PN	Part No	Ref. PN				
SC-203LE1	SC203LE1935	SA-203LE1	SA203LE1090		622	8	10
SC-203G1	SC203G1934	SA-203G1	SA203G1100		570	2	10
SC-203UB	SC203UB933	SA-203UB	SA203UB110		465	10	10
SC-203UW	SC203UW932	SA-203UW	SA203UW120		(0.30, 0.30)	60	10



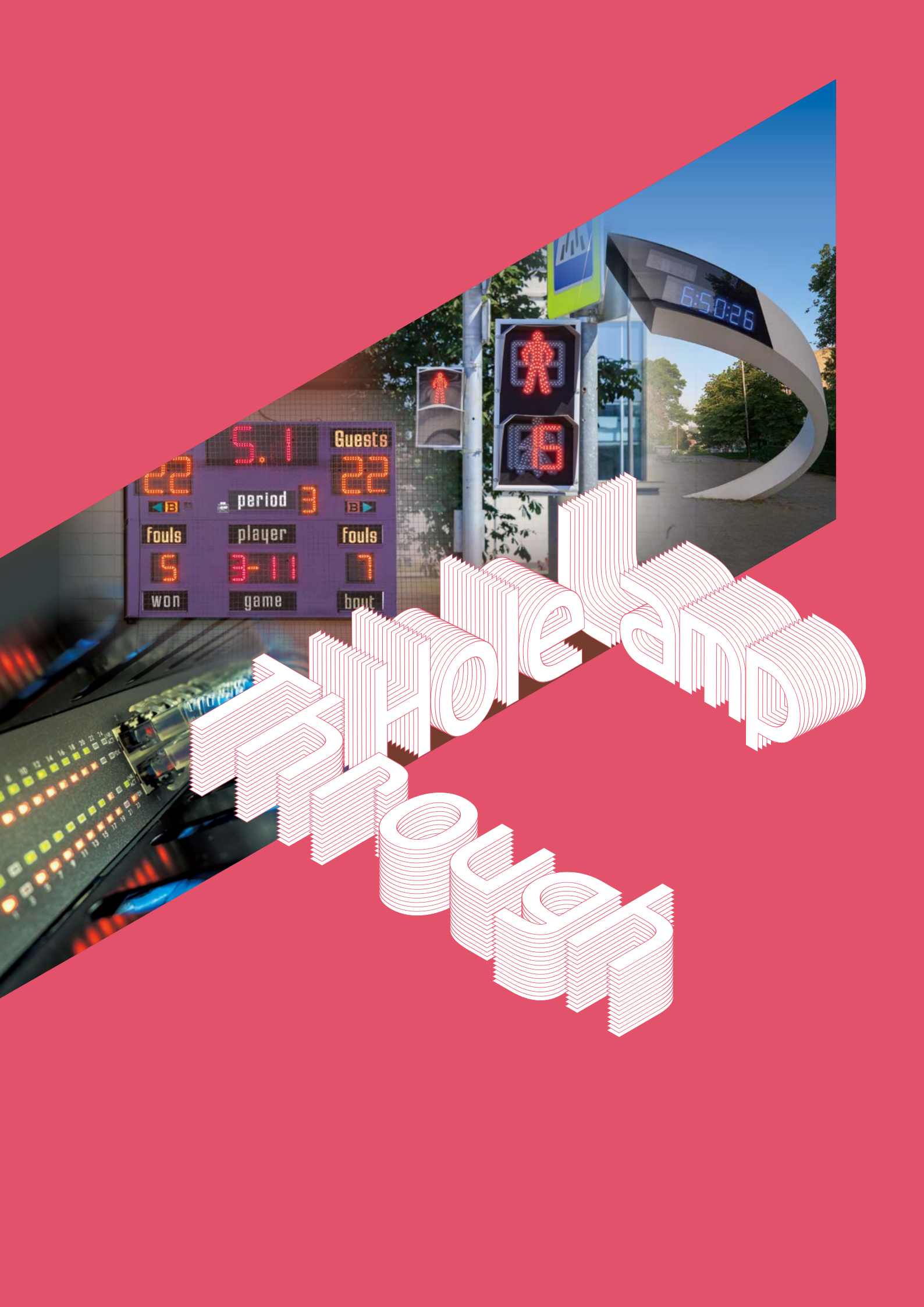
Unit : mm

Common Cathode		Common Anode		Emitting Color	Wavelength λ_d (nm)/CIE (x,y)	Typ. Luminous Intensity I_v (mcd)/Seg.	Forward Current I_F (mA)
Part No	Ref. PN	Part No	Ref. PN				
SC-563LR1	SC563LR1967	SA-563LR1	SA563LR1091		631	16	10
SC-563G1	SC563G1966	SA-563G1	SA563G1101		570	6	10
SC-563UB	SC563UB965	SA-563UB	SA563UB111		465	18	10
SC-563UW	SC563UW964	SA-563UW	SA563UW121		(0.30, 0.31)	80	10



Unit : mm

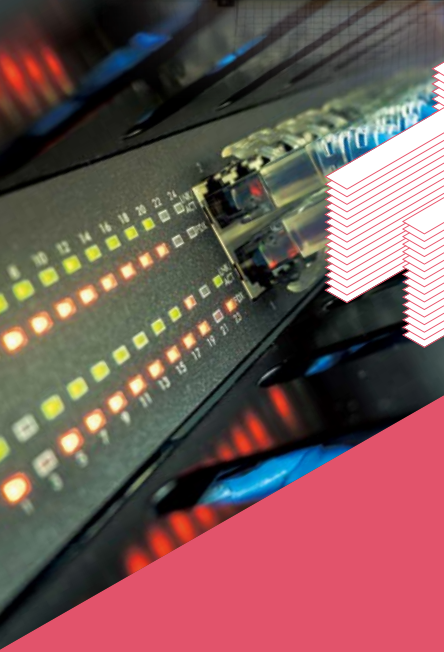
Common Cathode		Common Anode		Emitting Color	Wavelength λ_d (nm)/CIE (x.y)	Typ. Luminous Intensity I_v (mcd)/Seg.	Forward Current I_f (mA)
Part No	Ref. PN	Part No	Ref. PN				
SC-5631LR1-1.8	SC563LR1939	SA-563LR1-1.8	SA563LR1146	Super Red	631	25	10
SC-563G1-1.8	SC563G1938	SA-563G1-1.8	SA563G1147	Yellow Green	570	10	10
SC-563UB-1.8	SC563UB937	SA-563UB-1.8	SA563UB148	Blue	465	45	10
SC-563UW-1.8	SC563UW936	SA-563UW-1.8	SA563UW149	White	(0.30, 0.31)	180	10



22	5:11	Guests	22
← B	period	3	B →
fouls	player	fouls	7
won	game	bout	



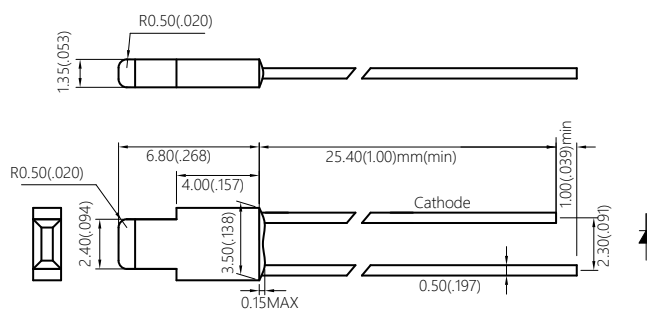
HOLE AMP
FOULS



1.35 mm

Tower

L-CD41 Series



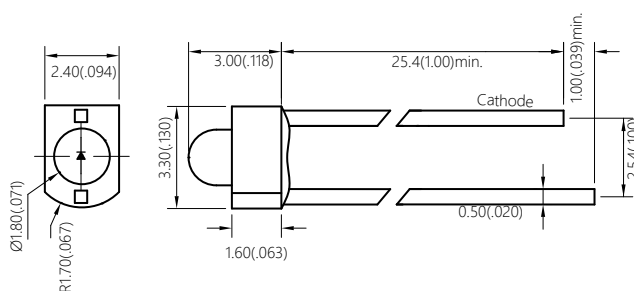
Unit : mm

Part No.	Ref. PN	Emitting Color	Wavelength λ_d (nm)/ CIE (x.y)	Resin Type	Typ. Luminous Intensity I_v (mcd)	Viewing Angle (deg.)	Typ. Forward Voltage V_F (V)	Forward Current I_F (mA)
L-CD41GD	LJS2GD777	Yellow Green	570	Green Diffused	5	140	1.9	20
L-CD41YD	LJS2YD776	Yellow	587	Yellow Diffused	6	140	2.1	20
L-CD41AD	LJS2AD775	Orange	605	Orange Diffused	6	140	2.1	20
L-CD41EW	LJS2EW774	Super Red	628	White Diffused	12	140	1.9	20

1.8 mm

Tower

L-204 Series



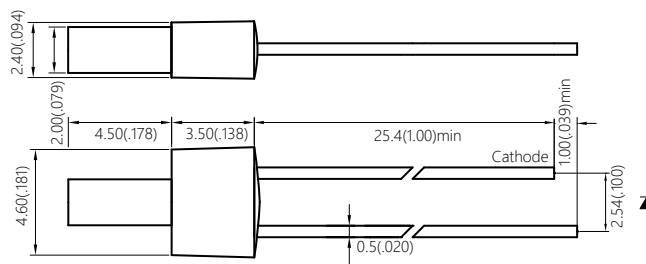
Unit : mm

Part No.	Ref. PN	Emitting Color	Wavelength λ_d (nm)/ CIE (x.y)	Resin Type	Typ. Luminous Intensity I_v (mcd)	Viewing Angle (deg.)	Typ. Forward Voltage V_F (V)	Forward Current I_F (mA)
L-204GD	LJR2GD998	Yellow Green	570	Green Diffused	15	60	1.9	20
L-204YD	LJR2YD997	Yellow	587	Yellow Diffused	12	60	2.1	20
L-204AD	LJR2AD999	Orange	605	Orange Diffused	18	60	2.1	20
L-204ED	LJR2ED996	Super Red	628	Red Diffused	25	60	1.9	20
L-204SRD	LJR2SRD995	Hyper Red	640	Red Diffused	100	60	1.9	20

2 mm

Tower

L-214 Series



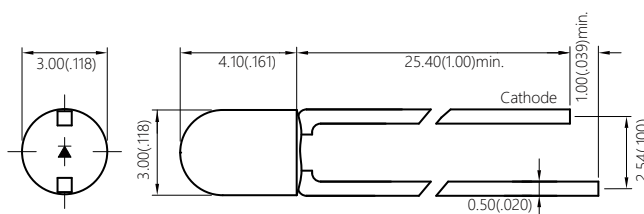
Unit : mm

Part No.	Ref. PN	Emitting Color	Wavelength λ_d (nm)/ CIE (x,y)	Resin Type	Typ. Luminous Intensity I_v (mcd)	Viewing Angle (deg.)	Typ. Forward Voltage V_F (V)	Forward Current I_F (mA)
L-214GD	LJR2GD993	Yellow Green	570	Green Diffused	10	90	1.9	20
L-214YD	LJR2YD992	Yellow	587	Yellow Diffused	10	90	2.1	20
L-214AD	LJR2AD994	Orange	605	Orange Diffused	15	90	2.1	20
L-214ED	LJR2ED991	Super Red	628	Red Diffused	20	90	1.9	20
L-214SRD	LJR2SRD990	Hyper Red	640	Red Diffused	50	90	1.9	20

3 mm

Round

L-304 Series



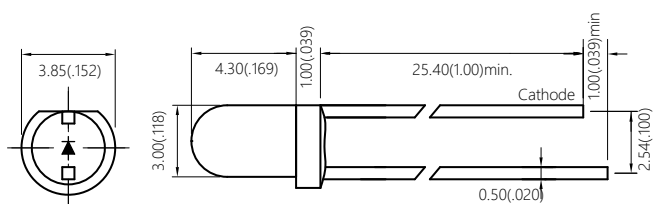
Unit : mm

Part No.	Ref. PN	Emitting Color	Wavelength λ_d (nm)/ CIE (x,y)	Resin Type	Typ. Luminous Intensity I_v (mcd)	Viewing Angle (deg.)	Typ. Forward Voltage V_F (V)	Forward Current I_F (mA)
L-304GD	LJR3GD987	Yellow Green	570	Green Diffused	12	60	1.9	20
L-304YD	LJR3YD986	Yellow	587	Yellow Diffused	25	60	2.1	20
L-304AD	LJR3AD989	Orange	605	Orange Diffused	12	60	2.1	20
L-304ED	LJR3ED985	Super Red	628	Red Diffused	20	60	1.9	20
L-304SRD	LJR3SRD984	Hyper Red	640	Red Diffused	45	60	1.9	20

3 mm

Round

L-314 Series



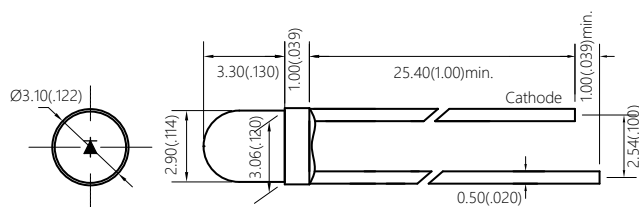
Unit : mm

Part No.	Ref. PN	Emitting Color	Wavelength λ_d (nm)/ CIE (x.y)	Resin Type	Typ. Luminous Intensity I_v (mcd)	Viewing Angle (deg.)	Typ. Forward Voltage V_F (V)	Forward Current I_F (mA)
L-314UB5D	LJR3UB5D978	Blue	465	Blue Diffused	300	60	3	20
L-314LPG6D	LJR3LPG6D983	Green	525	Green Diffused	500	60	3	20
L-314GD	LJR3GD982	Yellow Green	570	Green Diffused	20	60	1.9	20
L-314YD	LJR3YD981	Yellow	587	Yellow Diffused	15	60	2.1	20
L-314AD	LJR3AD979	Orange	605	Orange Diffused	40	60	2.1	20
L-314ED	LJR3ED980	Super Red	628	Red Diffused	50	60	1.9	20
L-314SRD	LJR3SRD977	Hyper Red	640	Red Diffused	80	60	1.9	20

3 mm

Round

L-354 Series



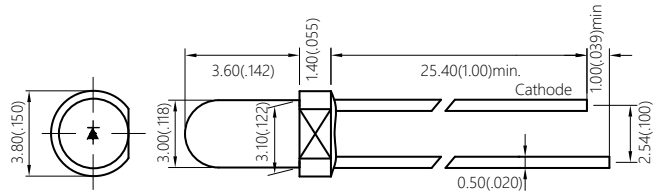
Unit : mm

Part No.	Ref. PN	Emitting Color	Wavelength λ_d (nm)/ CIE (x.y)	Resin Type	Typ. Luminous Intensity I_v (mcd)	Viewing Angle (deg.)	Typ. Forward Voltage V_F (V)	Forward Current I_F (mA)
L-354GD	LJR3GD971	Yellow Green	570	Green Diffused	20	60	1.9	20
L-354YD	LJR3YD972	Yellow	587	Yellow Diffused	15	60	2.1	20
L-354AD	LJR3AD970	Orange	605	Orange Diffused	14	60	2.1	20
L-354ED	LJR3ED969	Super Red	628	Red Diffused	40	60	1.9	20
L-354SRD	LJR3SRD968	Hyper Red	640	Red Diffused	40	60	1.9	20

3 mm

Round

L-3U4 Series



Unit : mm

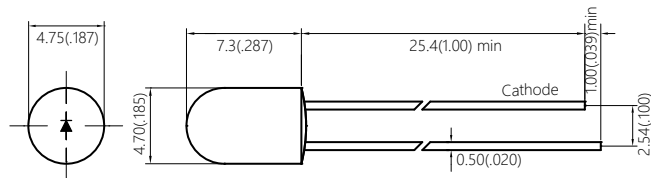
Part No.	Ref. PN	Emitting Color	Wavelength λ_d (nm)/ CIE (x,y)	Resin Type	Typ. Luminous Intensity I_v (mcd)	Viewing Angle (deg.)	Typ. Forward Voltage V_F (V)	Forward Current I_F (mA)
L-3U4UB5C	LJR3UB5C956	Blue	465	Water Clear	2500	25	3	20
L-3U4LPG6C	LJR3LPG6C961	Green	525	Water Clear	2000	25	3	20
L-3U4GD	LJR3GD960	Yellow Green	570	Green Diffused	20	60	1.9	20
L-3U4VG3C	LJR3VG3C957	Yellow Green	570	Water Clear	300	25	1.9	20
L-3U4YD	LJR3YD959	Yellow	587	Yellow Diffused	15	60	2.1	20
L-3U4AD	LJR3AD957	Orange	605	Orange Diffused	25	60	2.1	20
L-3U4ED	LJR3ED958	Super Red	628	Red Diffused	25	60	1.9	20
L-3U4SRD	LJR3SRD956	Hyper Red	640	Red Diffused	100	60	1.9	20

Through Hole Lamp

5 mm

Round

L-503 Series



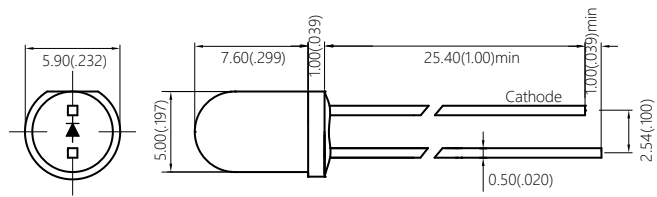
Unit : mm

Part No.	Ref. PN	Emitting Color	Wavelength λ_d (nm)/ CIE (x,y)	Resin Type	Typ. Luminous Intensity I_v (mcd)	Viewing Angle (deg.)	Typ. Forward Voltage V_F (V)	Forward Current I_F (mA)
L-503GD	LJR5GD914	Yellow Green	570	Green Diffused	20	60	2	20
L-503YD	LJR5YD913	Yellow	587	Yellow Diffused	15	60	2.1	20
L-503AD	LJR5AD915	Orange	605	Orange Diffused	12	60	2.1	20
L-503ED	LJR5ED912	Super Red	628	Red Diffused	20	60	1.9	20
L-503SRD	LJR5SRD911	Hyper Red	640	Red Diffused	40	60	1.9	20

5 mm

Round

L-513 Series



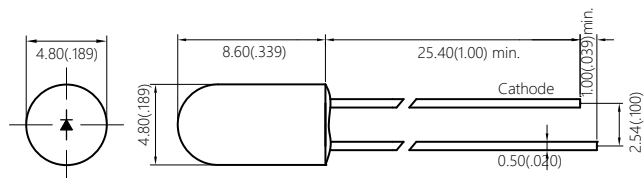
Unit : mm

Part No.	Ref. PN	Emitting Color	Wavelength λ_d (nm)/ CIE (x.y)	Resin Type	Typ. Luminous Intensity I_v (mcd)	Viewing Angle (deg.)	Typ. Forward Voltage V_F (V)	Forward Current I_F (mA)
L-513LPG6C	LJR5LPG6C906	Green	525	Water Clear	2800	15	3	20
L-513GD	LJR5GD731	Yellow Green	570	Green Diffused	13	60	1.9	20
L-513VG3C	LJR5VG3C909	Yellow Green	570	Water Clear	600	15	1.9	20
L-513YD	LJR5YD730	Yellow	587	Yellow Diffused	15	60	2.1	20
L-513VY5C	LJR5VY5C908	Yellow	587	Water Clear	3500	15	1.9	20
L-513AD	LJR5AD732	Orange	605	Orange Diffused	15	60	2.1	20
L-513ED	LJR5ED729	Super Red	628	Red Diffused	30	60	1.9	20
L-513VE2C	LJR5VE2C910	Super Red	628	Water Clear	4500	15	1.9	20
L-513SRD	LJR5SRD728	Hyper Red	640	Red Diffused	50	60	1.9	20

5 mm

Round

L-523 Series



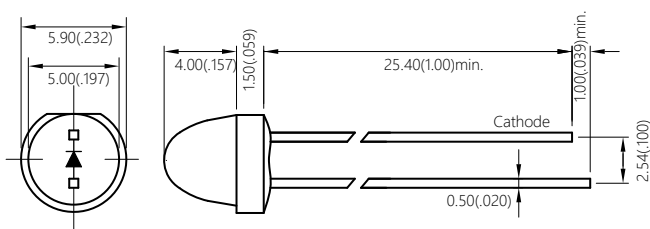
Unit : mm

Part No.	Ref. PN	Emitting Color	Wavelength λ_d (nm)/ CIE (x.y)	Resin Type	Typ. Luminous Intensity I_v (mcd)	Viewing Angle (deg.)	Typ. Forward Voltage V_F (V)	Forward Current I_F (mA)
L-523GD	LJR5GD903	Yellow Green	570	Green Diffused	14	60	1.9	20
L-523YD	LJR5YD902	Yellow	587	Yellow Diffused	15	60	2.1	20
L-523AD	LJR5AD904	Orange	605	Orange Diffused	15	60	2.1	20
L-523ED	LJR5ED901	Super Red	628	Red Diffused	30	60	1.9	20
L-523SRD	LJR5SRD900	Hyper Red	640	Red Diffused	40	60	1.9	20

5 mm

Round

L-593 Series



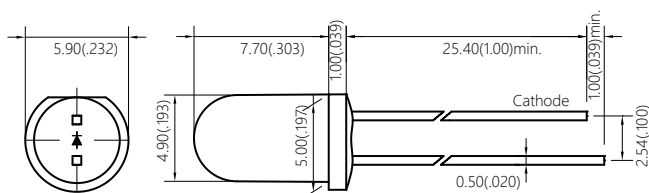
Unit : mm

Part No.	Ref. PN	Emitting Color	Wavelength λ_d (nm)/ CIE (x,y)	Resin Type	Typ. Luminous Intensity I_v (mcd)	Viewing Angle (deg.)	Typ. Forward Voltage V_F (V)	Forward Current I_F (mA)
L-5947UB5D	LJR5UB5D883	Blue	465	Blue Diffused	200	80	3	20
L-593GD	LJR5GD887	Yellow Green	570	Green Diffused	20	80	1.9	20
L-593YD	LJR5YD886	Yellow	587	Yellow Diffused	15	80	2.1	20
L-593AD	LJR5AD888	Orange	605	Orange Diffused	18	80	2.1	20
L-593ED	LJR5ED885	Super Red	628	Red Diffused	25	80	1.9	20
L-593SRD	LJR5SRD884	Hyper Red	640	Red Diffused	40	80	1.9	20

5 mm

Round

L-5T47 Series



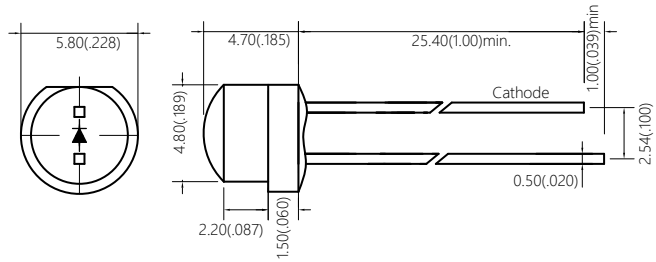
Unit : mm

Part No.	Ref. PN	Emitting Color	Wavelength λ_d (nm)/ CIE (x,y)	Resin Type	Typ. Luminous Intensity I_v (mcd)	Viewing Angle (deg.)	Typ. Forward Voltage V_F (V)	Forward Current I_F (mA)
L-5T47UW5C-C	LJR5UW5C774	White	(0.2,0.26)	Water Clear	5000	40	3	20
L-5T47UW5C-N	LOR5UW5C038G	White	(0.29,0.3)	Water Clear	3000	40	3	20
L-5T47UW5C-W	LPR5UW5C159G	White	(0.58,0.41)	Water Clear	7200	40	3	20

5 mm

Round

L-5P47 Series



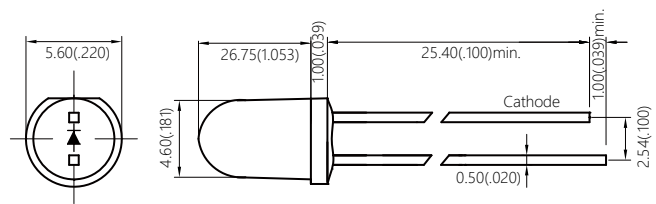
Unit : mm

Part No.	Ref. PN	Emitting Color	Wavelength λ_d (nm)/ CIE (x,y)	Resin Type	Typ. Luminous Intensity I_v (mcd)	Viewing Angle (deg.)	Typ. Forward Voltage V_F (V)	Forward Current I_F (mA)
L-5P47UW5C-BL	LJR5UW5C766	White	(0.20, 0.26)	Water Clear	1500	3.8	3.1	90
L-5P47QWC	LJR5QWC768	White	(0.21, 0.34)	Water Clear	1200	3.8	3.1	90
L-5P47UW5C	LJR5UW5C769	White	(0.26, 0.27)	Water Clear	1500	3.8	3.1	90
L-5P47UW5C-E	LJR5UW5C767	White	(0.44, 0.41)	Water Clear	1500	3.8	3.1	90

5 mm

Round

L-5347 Series



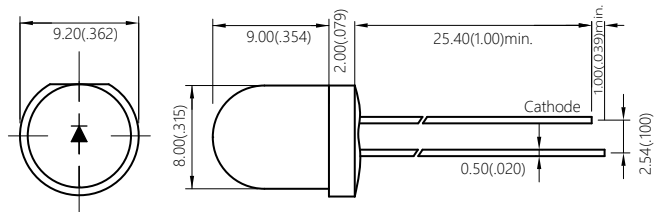
Unit : mm

Part No.	Ref. PN	Emitting Color	Wavelength λ_d (nm)/ CIE (x,y)	Resin Type	Typ. Luminous Intensity I_v (mcd)	Viewing Angle (deg.)	Typ. Forward Voltage V_F (V)	Forward Current I_F (mA)
L-5347UW5C-C	LJR5UW5C770	White	(0.2,0.26)	Water Clear	5500	20	3	20
L-5347UW5C	LJR5UW5C773	White	(0.3,0.29)	Water Clear	5000	20	3	20
L-5347UW5C-E	LJR5UW5C771	White	(0.44,0.41)	Water Clear	5500	20	3	20

8 mm

Round

L-813 Series



Unit : mm

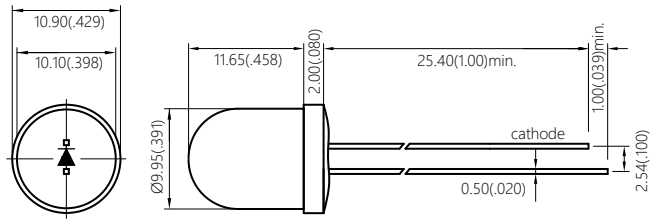
Part No.	Ref. PN	Emitting Color	Wavelength λ_d (nm)/ CIE (x,y)	Resin Type	Typ. Luminous Intensity I_v (mcd)	Viewing Angle (deg.)	Typ. Forward Voltage V_F (V)	Forward Current I_F (mA)
L-813GD	LJR8GD806	Yellow Green	570	Green Diffused	5	150	1.9	20
L-813YD	LJR8YD805	Yellow	587	Yellow Diffused	3	150	2.1	20
L-813ED	LJR8ED804	Super Red	628	Red Diffused	10	150	1.9	20
L-813SRD	LJR8SRD803	Hyper Red	640	Red Diffused	30	150	1.9	20

10 mm

Round

L-833 Series

115



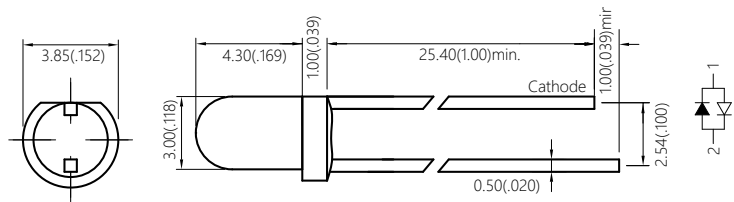
Unit : mm

Part No.	Ref. PN	Emitting Color	Wavelength λ_d (nm)/ CIE (x,y)	Resin Type	Typ. Luminous Intensity I_v (mcd)	Viewing Angle (deg.)	Typ. Forward Voltage V_F (V)	Forward Current I_F (mA)
L-833GD	LJRAGD801	Yellow Green	570	Green Diffused	5	150	1.9	20
L-833YD	LJRAYD800	Yellow	587	Yellow Diffused	3	150	2.1	20
L-833ED	LJRAED799	Super Red	628	Red Diffused	10	150	1.9	20
L-833SRD	LJRASRD798	Hyper Red	640	Red Diffused	15	150	1.9	20

3 mm

Round Dual Color

L-314 Series



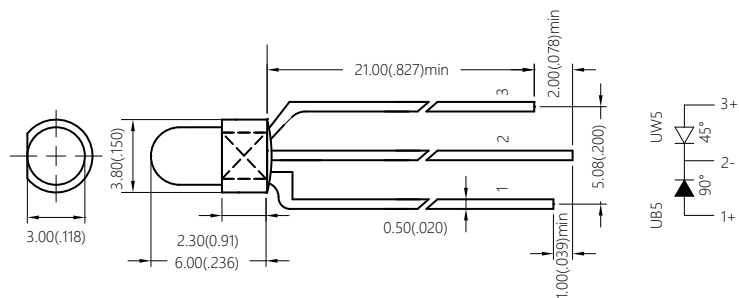
Unit : mm

Part No.	Ref. PN	Emitting Color	Wavelength λ_d (nm)/ CIE (x,y)	Resin Type	Typ. Luminous Intensity I_v (mcd)	Viewing Angle (deg.)	Typ. Forward Voltage V_F (V)	Forward Current I_F (mA)
L314UB5UW5W LOR3UB5UW5W153G		Blue	465	White Diffused	150	80	3	20
		White	(0.29,0.3)	White Diffused	300	80	3	20

3 mm

Round Dual Color

L-3T9 Series



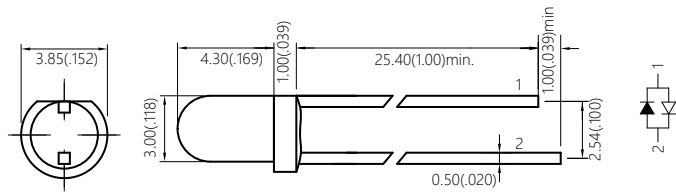
Unit : mm

Part No.	Ref. PN	Emitting Color	Wavelength λ_d (nm)/ CIE (x,y)	Resin Type	Typ. Luminous Intensity I_v (mcd)	Viewing Angle (deg.)	Typ. Forward Voltage V_F (V)	Forward Current I_F (mA)
L3T9UB5UW5W LRR3UB5UW5W210G		Blue	465	White Diffused	154	120	3	20
		White	(0.285,0.28)	White Diffused	448	120	3	20

3 mm

Round Dual Color

L-317 Series



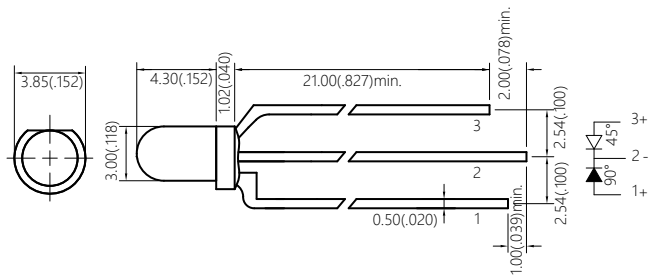
Unit : mm

Part No.	Ref. PN	Emitting Color	Wavelength λ_d (nm)/ CIE (x,y)	Resin Type	Typ. Luminous Intensity I_v (mcd)	Viewing Angle (deg.)	Typ. Forward Voltage V_F (V)	Forward Current I_F (mA)
L-317SRVG3W	LJR3SRVG3W763	Hyper Red	640	White Diffused	12	50	1.9	20
		Yellow Green	570	White Diffused	20	50	1.9	20
L-317EGW	LJR3EGW764	Super Red	628	White Diffused	20	50	1.9	20
		Yellow Green	570	White Diffused	18	50	1.9	20
L-317GYW	LJR3GYW765	Yellow	587	White Diffused	10	50	1.9	20
		Yellow Green	570	White Diffused	18	50	1.9	20

3 mm

Round Dual Color

L-319 Series



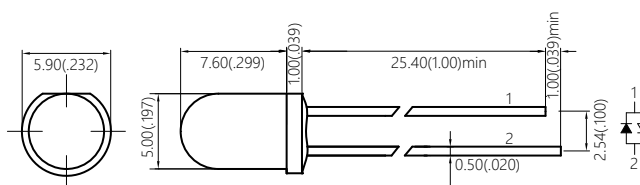
Unit : mm

Part No.	Ref. PN	Emitting Color	Wavelength λ_d (nm)/ CIE (x,y)	Resin Type	Typ. Luminous Intensity I_v (mcd)	Viewing Angle (deg.)	Typ. Forward Voltage V_F (V)	Forward Current I_F (mA)
L-319EGW	LJR3EGW756	Super Red	628	White Diffused	30	60	1.9	20
		Yellow Green	570	White Diffused	18	60	1.9	20
L-319GYW	LJR3GYW757	Yellow	587	White Diffused	15	60	2.1	20
		Yellow Green	570	White Diffused	18	60	1.9	20







5 mm

Round Dual Color

L-517 Series



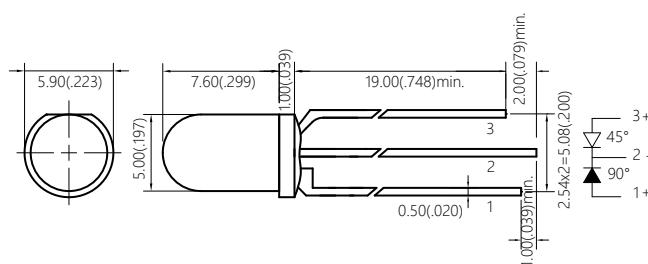
Unit : mm

Part No.	Ref. PN	Emitting Color	Wavelength λ_d (nm)/ CIE (x.y)	Resin Type	Typ. Luminous Intensity I_v (mcd)	Viewing Angle (deg.)	Typ. Forward Voltage V_F (V)	Forward Current I_F (mA)
L-517EGW	LJR5EGW759	 Super Red	628	White Diffused	10	120	1.9	20
		 Yellow Green	570	White Diffused	7	120	1.9	20
L-517UB5LY5W	LJR5UB5LY5W758	 Yellow	587	White Diffused	300	120	1.9	20
		 Blue	465	White Diffused	400	120	3	20
L-517GYW	LJR5GYW760	 Yellow	587	White Diffused	5	120	2.1	20
		 Yellow Green	570	White Diffused	10	120	1.9	20









5 mm

Round Dual Color

L-519 Series



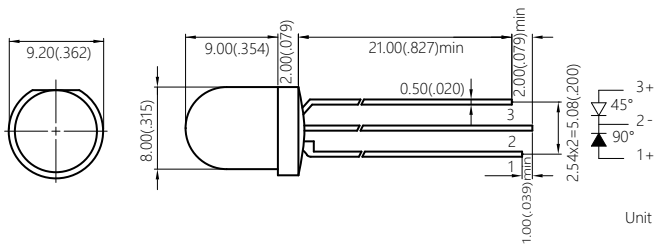
Unit : mm

Part No.	Ref. PN	Emitting Color	Wavelength λ_d (nm)/ CIE (x.y)	Resin Type	Typ. Luminous Intensity I_v (mcd)	Viewing Angle (deg.)	Typ. Forward Voltage V_F (V)	Forward Current I_F (mA)
L-519EYW	LJR5EYW748	 Super Red	628	White Diffused	25	120	1.9	20
		 Yellow	587	White Diffused	12	120	2.1	20
L-519EGW	LJR5EGW749	 Super Red	628	White Diffused	20	120	1.9	20
		 Yellow Green	570	White Diffused	10	120	2	20
L-519GYW	LJR5GYW750	 Yellow	587	White Diffused	5	120	2.1	20
		 Yellow Green	570	White Diffused	10	120	2	20
L519VEALPG6W	LTR5VEALPG6W171G	 Super Red	628	White Diffused	290	120	1.9	20
		 Green	525	White Diffused	920	120	3	20

8 mm

Round Dual Color

L-819 Series



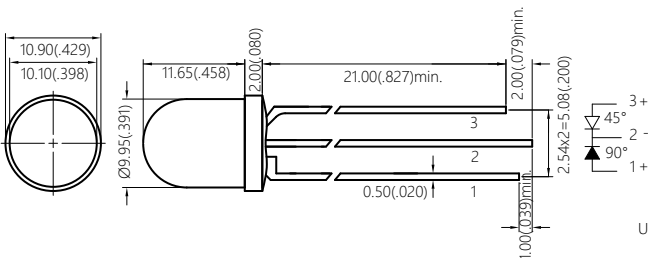
Unit : mm

Part No.	Ref. PN	Emitting Color	Wavelength λ_d (nm)/ CIE (x.y)	Resin Type	Typ. Luminous Intensity I_v (mcd)	Viewing Angle (deg.)	Typ. Forward Voltage V_F (V)	Forward Current I_F (mA)
L-819EGW	LJR8EGW746	Super Red	628	White Diffused	25	140	1.9	20
		Yellow Green	570	White Diffused	20	140	1.9	20
L-819GYW	LJR8GYW747	Yellow	587	White Diffused	15	140	2.1	20
		Yellow Green	570	White Diffused	20	140	2	20

10 mm

Round Dual Color

L-839 Series



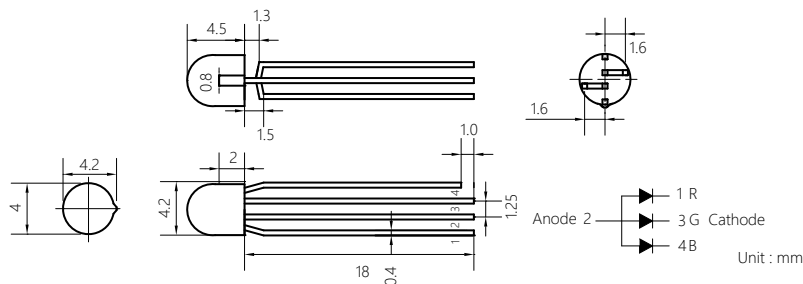
Unit : mm

Part No.	Ref. PN	Emitting Color	Wavelength λ_d (nm)/ CIE (x.y)	Resin Type	Typ. Luminous Intensity I_v (mcd)	Viewing Angle (deg.)	Typ. Forward Voltage V_F (V)	Forward Current I_F (mA)
L-839EYW	LJR8EYW743	Super Red	628	White Diffused	20	120	1.9	20
		Yellow	587	White Diffused	8	120	2.1	20
L-839EGW	LJR8EGW744	Super Red	628	White Diffused	20	120	1.9	20
		Yellow Green	570	White Diffused	12	120	1.9	20
L-839GYW	LJR8GYW745	Yellow	587	White Diffused	7	120	2.1	20
		Yellow Green	570	White Diffused	10	120	1.9	20

4 mm

Round RGB

L-4X9 Series



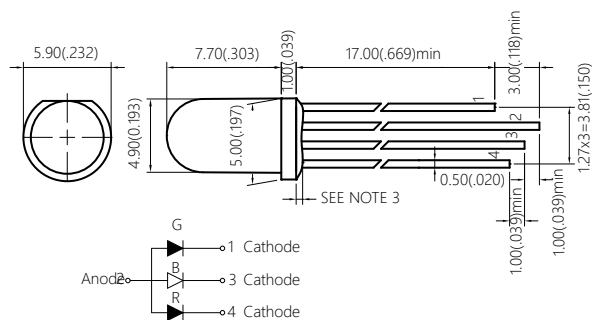
Unit : mm

Part No.	Ref. PN	Emitting Color	Wavelength λ_d (nm)/ CIE (x.y)	Resin Type	Typ. Luminous Intensity I_v (mcd)	Viewing Angle (deg.)	Typ. Forward Voltage V_F (V)	Forward Current I_F (mA)
L4X9RGBW	LOR4RGBW341G	Super Red	628	White Diffused	80	20	1.9	20
		Green	525	White Diffused	250	20	3	20
		Blue	465	White Diffused	45	20	3	20

5 mm

Round RGB

L-5TB Series



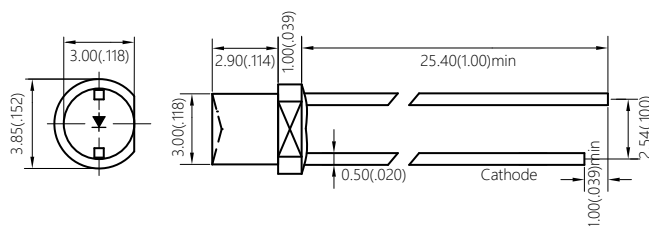
Unit : mm

Part No.	Ref. PN	Emitting Color	Wavelength λ_d (nm)/ CIE (x.y)	Resin Type	Typ. Luminous Intensity I_v (mcd)	Viewing Angle (deg.)	Typ. Forward Voltage V_f (V)	Forward Current I_f (mA)
L5T8RGBC	LQR5RGBC001G	Super Red	628	Water Clear	3600	30	1.9	20
		Green	525	Water Clear	5600	30	3	20
		Blue	465	Water Clear	1300	30	3	20

3 mm

Cylindrical

L-334 Series



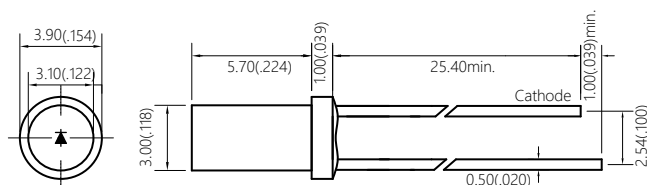
Unit : mm

Part No.	Ref. PN	Emitting Color	Wavelength λ_d (nm)/ CIE (x.y)	Resin Type	Typ. Luminous Intensity I_v (mcd)	Viewing Angle (deg.)	Typ. Forward Voltage V_f (V)	Forward Current I_f (mA)
L-334GD	LJR3GD976	Yellow Green	570	Green Diffused	2	150	1.9	20
L-334YD	LJR3YD975	Yellow	587	Yellow Diffused	0.8	150	2.1	20
L-334AD	LJR3AD977	Orange	605	Orange Diffused	4	150	2.1	20
L-334ED	LJR3ED974	Super Red	628	Red Diffused	15	150	1.9	20
L-334SRD	LJR3SRD973	Hyper Red	640	Red Diffused	20	150	1.9	20

3 mm

Cylindrical

L-3N4 Series



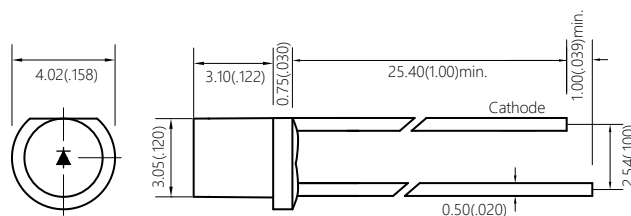
Unit : mm

Part No.	Ref. PN	Emitting Color	Wavelength λ_d (nm)/ CIE (x.y)	Resin Type	Typ. Luminous Intensity I_v (mcd)	Viewing Angle (deg.)	Typ. Forward Voltage V_F (V)	Forward Current I_F (mA)
L-3N4GD	LJR3GD965	Yellow Green	570	Green Diffused	6	150	1.9	20
L-3N4YD	LJR3YD964	Yellow	587	Yellow Diffused	4	150	2.1	20
L-3N4ED	LJR3ED963	Super Red	628	Red Diffused	10	150	1.9	20
L-3N4SRD	LJR3SRD962	Hyper Red	640	Red Diffused	20	150	1.9	20

3 mm

Cylindrical

L-6V4 Series



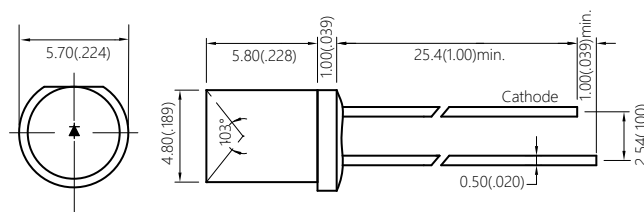
Unit : mm

Part No.	Ref. PN	Emitting Color	Wavelength λ_d (nm)/ CIE (x.y)	Resin Type	Typ. Luminous Intensity I_v (mcd)	Viewing Angle (deg.)	Typ. Forward Voltage V_F (V)	Forward Current I_F (mA)
L-6V4GD	LJR3GD845	Yellow Green	570	Green Diffused	12	110	1.9	20
L-6V4YD	LJR3YD844	Yellow	587	Yellow Diffused	10	110	2.1	20
L-6V4AD	LJS3AD846	Orange	605	Orange Diffused	10	110	2.1	20
L-6V4ED	LJR3ED843	Super Red	628	Red Diffused	15	110	1.9	20

5 mm

Cylindrical

L-553 Series



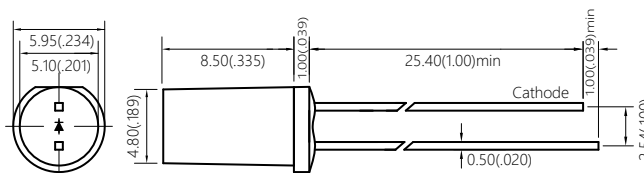
Unit : mm

Part No.	Ref. PN	Emitting Color	Wavelength λ_d (nm)/ CIE (x,y)	Resin Type	Typ. Luminous Intensity I_v (mcd)	Viewing Angle (deg.)	Typ. Forward Voltage V_f (V)	Forward Current I_f (mA)
L-5547UB5C	LJR5UB5C894	Blue	465	Water Clear	120	120	3.0	20
L-553GD	LJR5GD898	Yellow Green	570	Green Diffused	12	150	1.9	20
L-553YD	LJR5YD897	Yellow	587	Yellow Diffused	0.8	150	2.1	20
L-553AD	LJR5AD899	Orange	605	Orange Diffused	3	150	2.1	20
L-553ED	LJR5ED896	Super Red	628	Red Diffused	3	150	1.9	20
L-553SRD	LJR5SRD895	Hyper Red	640	Red Diffused	4	150	1.9	20

5 mm

Cylindrical

L-573 Series



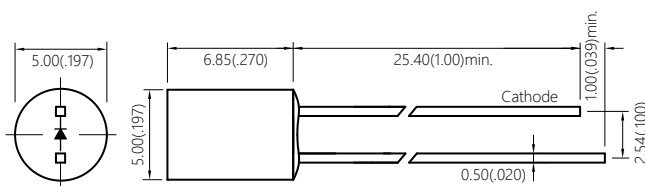
Unit : mm

Part No.	Ref. PN	Emitting Color	Wavelength λ_d (nm)/ CIE (x,y)	Resin Type	Typ. Luminous Intensity I_v (mcd)	Viewing Angle (deg.)	Typ. Forward Voltage V_f (V)	Forward Current I_f (mA)
L-573GD	LJR5GD892	Yellow Green	570	Green Diffused	5	150	1.9	20
L-573YD	LJR5YD891	Yellow	587	Yellow Diffused	4	150	2.1	20
L-573EAD	LJR5AD893	Orange	605	Orange Diffused	10	150	2.1	20
L-573ED	LJR5ED890	Super Red	628	Red Diffused	10	150	1.9	20
L-573SRD	LJR5SRD889	Hyper Red	640	Red Diffused	15	150	1.9	20

5 mm

Cylindrical

L-5C3 Series



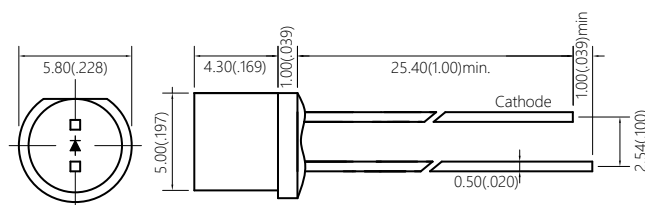
Unit : mm

Part No.	Ref. PN	Emitting Color	Wavelength λ_d (nm)/ CIE (x.y)	Resin Type	Typ. Luminous Intensity I_v (mcd)	Viewing Angle (deg.)	Typ. Forward Voltage V_F (V)	Forward Current I_F (mA)
L-5C3GD	LJR5GD881	Yellow Green	570	Green Diffused	5	150	1.9	20
L-5C3YD	LJR5YD880	Yellow	587	Yellow Diffused	4	150	2.1	20
L-5C3ED	LJR5ED879	Super Red	628	Red Diffused	10	150	1.9	20
L-5C3SRD	LJR5SRD878	Hyper Red	640	Red Diffused	15	150	1.9	20

5 mm

Cylindrical

L-5N3 Series



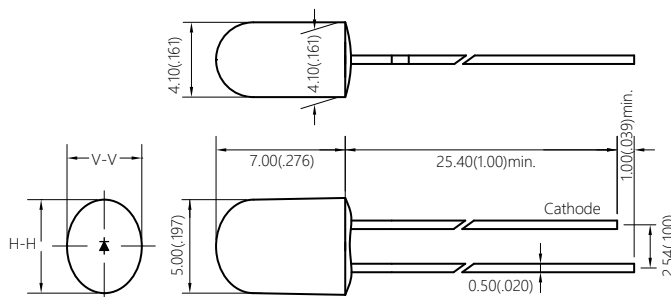
Unit : mm

Part No.	Ref. PN	Emitting Color	Wavelength λ_d (nm)/ CIE (x.y)	Resin Type	Typ. Luminous Intensity I_v (mcd)	Viewing Angle (deg.)	Typ. Forward Voltage V_F (V)	Forward Current I_F (mA)
L-5N47UB5C	LJR5UB5C869	Blue	465	Water Clear	500	100	3	20
L-5N47LPG6C	LJR5LPG6C870	Green	525	Water Clear	1500	100	3	20
L-5N3GD	LJR5GD874	Yellow Green	570	Green Diffused	6	150	1.9	20
L-5N3YD	LJR5YD873	Yellow	587	Yellow Diffused	4	150	2.1	20
L-5N3ED	LJR5ED872	Super Red	628	Red Diffused	12	150	1.9	20
L-5N3SRD	LJR5SR5D871	Hyper Red	640	Red Diffused	10	150	1.9	20

5 x 4 mm

Oval

L-7Q3 Series



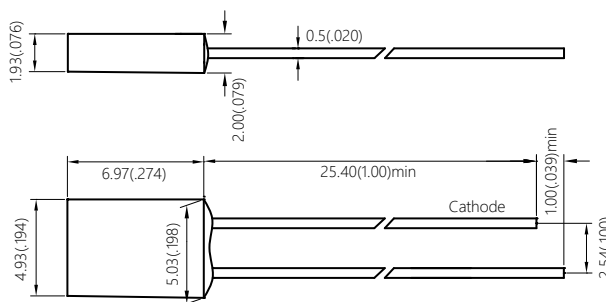
Unit : mm

Part No.	Ref. PN	Emitting Color	Wavelength λ_d (nm)/ CIE (x,y)	Resin Type	Typ. Luminous Intensity I_v (mcd)	Viewing Angle (deg.)	Typ. Forward Voltage V_F (V)	Forward Current I_F (mA)
L-7Q3UB5C	LJE5UB5C824	Blue	465	Water Clear	1700	45/25	3	20
L-7Q3VG3C	LJE5VG3C825	Yellow Green	570	Water Clear	800	45/25	1.9	20
L-7Q3VYAC	LJE5VYAC826	Yellow	587	Water Clear	2500	45/25	1.9	20
L-7Q3VEAC	LJE5VEAC827	Super Red	628	Water Clear	2500	45/25	1.9	20

2 x 5 x 7 mm

Rectangular

L-403 Series



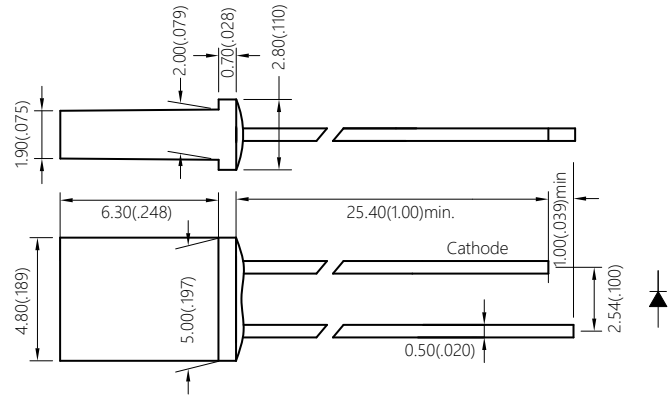
Unit : mm

Part No.	Ref. PN	Emitting Color	Wavelength λ_d (nm)/ CIE (x,y)	Resin Type	Typ. Luminous Intensity I_v (mcd)	Viewing Angle (deg.)	Typ. Forward Voltage V_F (V)	Forward Current I_F (mA)
L-403GD	LJS5GD954	Yellow Green	570	Green Diffused	10	120	1.9	20
L-403YD	LJS5YD953	Yellow	587	Yellow Diffused	5	120	2.1	20
L-403AD	LJS5AD955	Orange	605	Orange Diffused	6	120	2.1	20
L-403ED	LJS5ED952	Super Red	628	Red Diffused	12	120	1.9	20
L-403SRD	LJS5SRD951	Hyper Red	640	Red Diffused	40	120	1.9	20

2 x 5 x 7 mm

Rectangular

L-413 Series



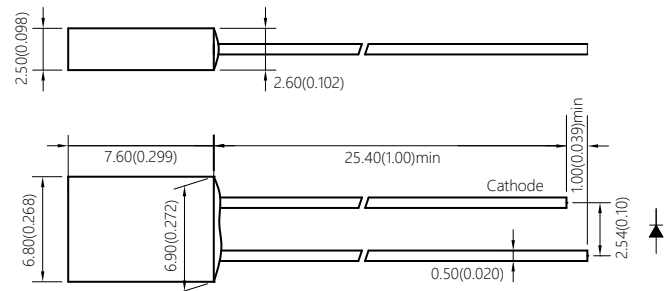
Unit : mm

Part No.	Ref. PN	Emitting Color	Wavelength λ_c (nm)/ CIE (x,y)	Resin Type	Typ. Luminous Intensity I_v (mcd)	Viewing Angle (deg.)	Typ. Forward Voltage V_F (V)	Forward Current I_F (mA)
L-413GD	LJS5GD945	Yellow Green	570	Green Diffused	12	120	1.9	20
L-413YD	LJS5YD948	Yellow	587	Yellow Diffused	2.5	120	2.1	20
L-413AD	LJS5AD9949	Orange	605	Orange Diffused	8	120	2.1	20
L-413ED	LJS5ED947	Super Red	628	Red Diffused	8	120	1.9	20
L-413SRD	LJS5SRD946	Hyper Red	640	Red Diffused	15	120	1.9	20

2.5 x 7.0 x 7.5 mm

Rectangular

L-423 Series



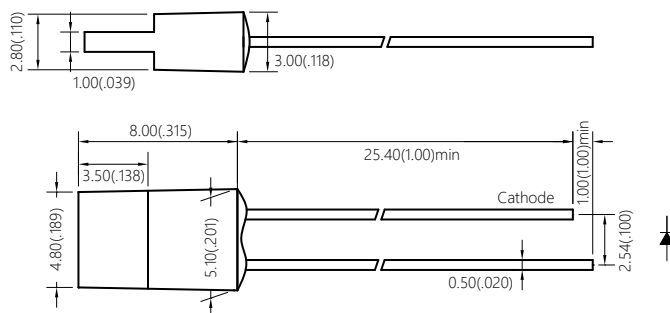
Unit : mm

Part No.	Ref. PN	Emitting Color	Wavelength λ_c (nm)/ CIE (x,y)	Resin Type	Typ. Luminous Intensity I_v (mcd)	Viewing Angle (deg.)	Typ. Forward Voltage V_F (V)	Forward Current I_F (mA)
L-423GD	LJS7GD943	Yellow Green	570	Green Diffused	6	110	1.9	20
L-423YD	LJS7YD942	Yellow	587	Yellow Diffused	5	110	2.1	20
L-423AD	LJS7AD944	Orange	605	Orange Diffused	5	110	2.1	20
L-423ED	LJS7ED941	Super Red	628	Red Diffused	6	110	1.9	20
L-423SRD	LJS7SRD940	Hyper Red	640	Red Diffused	15	110	1.9	20

1 x 5 x 8 mm

Rectangular

L-443 Series



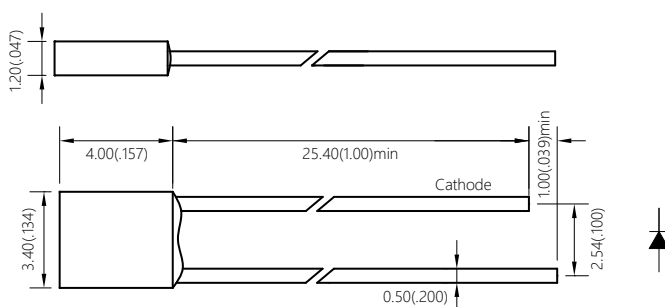
Unit : mm

Part No.	Ref. PN	Emitting Color	Wavelength λ_d (nm)/ CIE (x,y)	Resin Type	Typ. Luminous Intensity I_v (mcd)	Viewing Angle (deg.)	Typ. Forward Voltage V_F (V)	Forward Current I_F (mA)
L-443GD	LJS4GD938	Yellow Green	570	Green Diffused	5	120	2	20
L-443YD	LJS4YD937	Yellow	587	Yellow Diffused	2	120	2.1	20
L-443AD	LJS4AD939	Orange	605	Orange Diffused	8	120	2.1	20
L-443ED	LJS4ED936	Super Red	628	Red Diffused	8	120	1.9	20
L-443SRD	LJS4SRD935	Hyper Red	640	Red Diffused	15	120	1.9	20

1.2 x 3.4 x 4.0 mm

Rectangular

L-454 Series



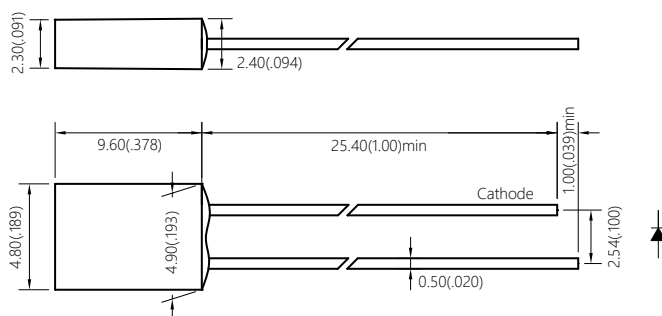
Unit : mm

Part No.	Ref. PN	Emitting Color	Wavelength λ_d (nm)/ CIE (x,y)	Resin Type	Typ. Luminous Intensity I_v (mcd)	Viewing Angle (deg.)	Typ. Forward Voltage V_F (V)	Forward Current I_F (mA)
L-454GD	LJS3GD933	Yellow Green	570	Green Diffused	8	150	1.9	20
L-454YD	LJS3YD932	Yellow	587	Yellow Diffused	6	150	2.1	20
L-454AD	LJS3AD934	Orange	605	Orange Diffused	5	150	2.1	20
L-454ED	LJS3ED931	Super Red	628	Red Diffused	3	150	1.9	20
L-454SRD	LJS3SRD930	Hyper Red	640	Red Diffused	20	150	1.9	20

2.0 x 4.8 x 9.6 mm

Rectangular

L-463 Series



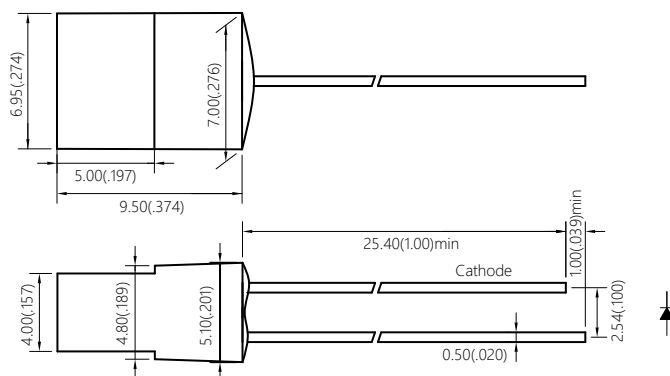
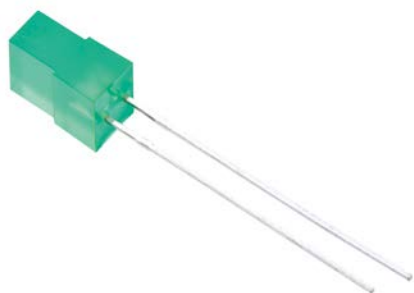
Unit : mm

Part No.	Ref. PN	Emitting Color	Wavelength λ_d (nm)/ CIE (x.y)	Resin Type	Typ. Luminous Intensity I_v (mcd)	Viewing Angle (deg.)	Typ. Forward Voltage V_F (V)	Forward Current I_F (mA)
L-463GD	LJS5GD928	Yellow Green	570	Green Diffused	10	120	1.9	20
L-463YD	LJS5YD927	Yellow	587	Yellow Diffused	5	120	2.1	20
L-463AD	LJS5AD929	Orange	605	Orange Diffused	8	120	2.1	20
L-463ED	LJS5ED926	Super Red	628	Red Diffused	20	120	1.9	20
L-463SRD	LJS5SRD925	Hyper Red	640	Red Diffused	40	120	1.9	20

4.0 x 7.0 x 9.5 mm

Rectangular

L-473 Series



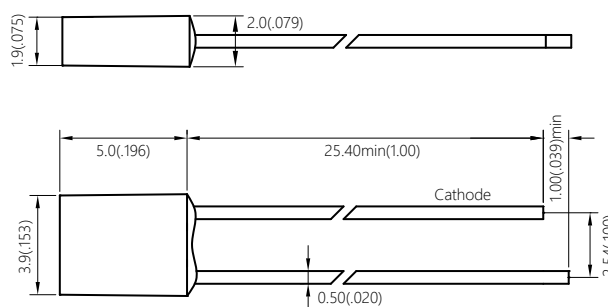
Unit : mm

Part No.	Ref. PN	Emitting Color	Wavelength λ_d (nm)/ CIE (x.y)	Resin Type	Typ. Luminous Intensity I_v (mcd)	Viewing Angle (deg.)	Typ. Forward Voltage V_F (V)	Forward Current I_F (mA)
L-473GD	LJS4GD925	Yellow Green	570	Green Diffused	5	150	1.9	20
L-473YD	LJS4YD924	Yellow	587	Yellow Diffused	4	150	2.1	20
L-473AD	LJS4AD926	Orange	605	Orange Diffused	5	150	2.1	20
L-473ED	LJS4ED923	Super Red	628	Red Diffused	20	150	1.9	20
L-473SRD	LJS4SRD922	Hyper Red	640	Red Diffused	50	150	1.9	20

2 x 4 x 5 mm

Rectangular

L-4L3 Series



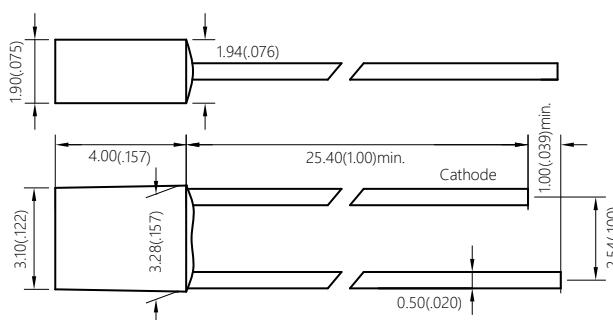
Unit : mm

Part No.	Ref. PN	Emitting Color	Wavelength λ_d (nm)/ CIE (x,y)	Resin Type	Typ. Luminous Intensity I_v (mcd)	Viewing Angle (deg.)	Typ. Forward Voltage V_F (V)	Forward Current I_F (mA)
L-4L3GD	LJS7GD920	Yellow Green	570	Green Diffused	3	120	1.9	20
L-4L3YD	LJS7YD919	Yellow	587	Yellow Diffused	5	120	2.1	20
L-4L3AD	LJS7AD921	Orange	605	Orange Diffused	5	120	2.1	20
L-4L3ED	LJS7ED918	Super Red	628	Red Diffused	7	120	1.9	20
L-4L3SRD	LJS7SRD917	Hyper Red	640	Red Diffused	30	120	1.9	20

1.9 x 3.1 x 4.0 mm

Rectangular

L-604 Series



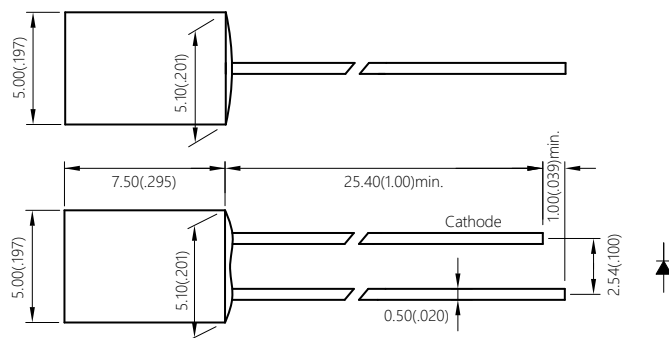
Unit : mm

Part No.	Ref. PN	Emitting Color	Wavelength λ_d (nm)/ CIE (x,y)	Resin Type	Typ. Luminous Intensity I_v (mcd)	Viewing Angle (deg.)	Typ. Forward Voltage V_F (V)	Forward Current I_F (mA)
L-604GD	LJS3GD867	Yellow Green	570	Green Diffused	6	150	1.9	20
L-604YD	LJS3YD866	Yellow	587	Yellow Diffused	5	150	2.1	20
L-604AD	LJS3AD868	Orange	605	Orange Diffused	10	150	2.1	20
L-604ED	LJS3ED865	Super Red	628	Red Diffused	18	150	1.9	20
L-604SRD	LJS3SRD864	Hyper Red	640	Red Diffused	10	150	1.9	20

5 x 5 x 7 mm

Rectangular

L-663 Series



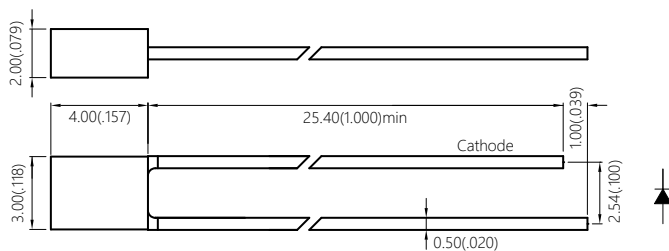
Unit : mm

Part No.	Ref. PN	Emitting Color	Wavelength λ_d (nm)/ CIE (x.y)	Resin Type	Typ. Luminous Intensity I_v (mcd)	Viewing Angle (deg.)	Typ. Forward Voltage V_F (V)	Forward Current I_F (mA)
L-663GD	LJS4GD856	Yellow Green	570	Green Diffused	13	150	1.9	20
L-663YD	LJS4YD855	Yellow	587	Yellow Diffused	4	150	2.1	20
L-663ED	LJS4ED854	Super Red	628	Red Diffused	6	150	1.9	20
L-663SRD	LJS4SRD853	Hyper Red	640	Red Diffused	10	150	1.9	20

2 x 3 x 4 mm

Rectangular

L-6U4 Series



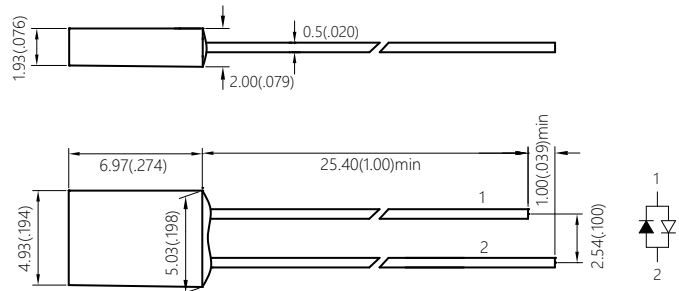
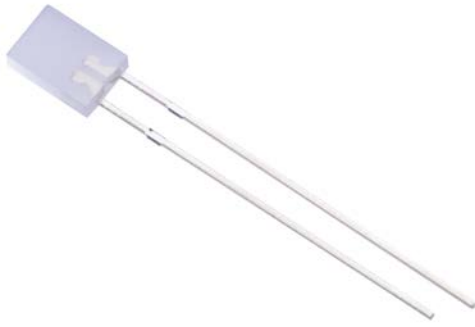
Unit : mm

Part No.	Ref. PN	Emitting Color	Wavelength λ_d (nm)/ CIE (x.y)	Resin Type	Typ. Luminous Intensity I_v (mcd)	Viewing Angle (deg.)	Typ. Forward Voltage V_F (V)	Forward Current I_F (mA)
L-6U4GD	LJS3GD851	Yellow Green	570	Green Diffused	6	150	1.9	20
L-6U4YD	LJS3YD850	Yellow	587	Yellow Diffused	4	150	2.1	20
L-6U4AD	LJS3AD852	Orange	605	Orange Diffused	10	150	2.1	20
L-6U4ED	LJS3ED849	Super Red	628	Red Diffused	10	150	1.9	20
L-6U4SRD	LJS3SRD848	Hyper Red	640	Red Diffused	24	150	1.9	20

2 x 5 x 7 mm

Rectangular Dual Color

L-407 Series



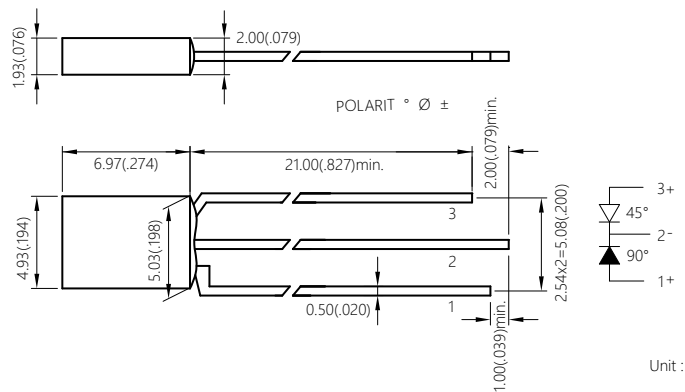
Unit : mm

Part No.	Ref. PN	Emitting Color	Wavelength λ_d (nm)/ CIE (x.y)	Resin Type	Typ. Luminous Intensity I_v (mcd)	Viewing Angle (deg.)	Typ. Forward Voltage V_f (V)	Forward Current I_f (mA)
L-407EGW	LJS5EGW761	Super Red	628	White Diffused	3.5	120	1.9	20
		Yellow Green	570	White Diffused	2.5	120	1.9	20
L-407GYW	LJS5GYW762	Yellow	587	White Diffused	1.5	120	2.1	20
		Yellow Green	570	White Diffused	2.5	120	2	20

2 x 5 x 7 mm

Rectangular Dual Color

L-409 Series



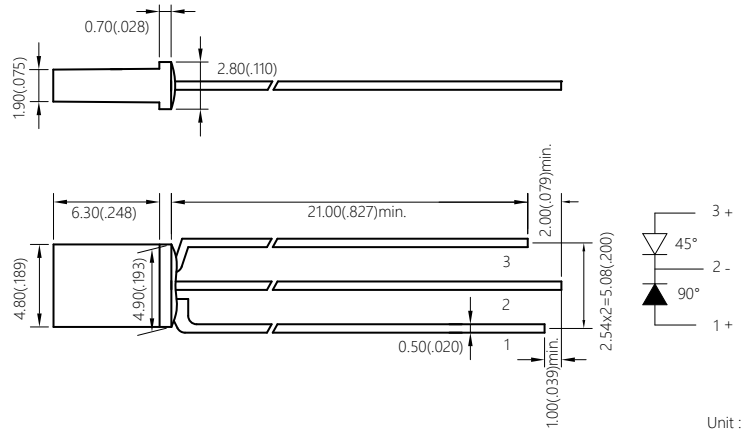
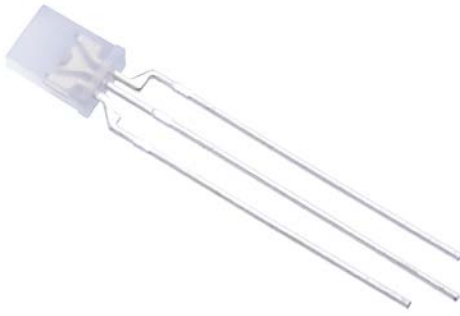
Unit : mm







Part No.	Ref. PN	Emitting Color	Wavelength λ_d (nm)/ CIE (x.y)	Resin Type	Typ. Luminous Intensity I_v (mcd)	Viewing Angle (deg.)	Typ. Forward Voltage V_f (V)	Forward Current I_f (mA)
L-409EGW	LJS5EGW754	Super Red	628	White Diffused	20	120	1.9	20
		Yellow Green	570	White Diffused	10	120	1.9	20
L-409GYW	LJS5GYW755	Yellow	587	White Diffused	5	120	2.1	20
		Yellow Green	570	White Diffused	10	120	1.9	20
L-409GYW-CA1	LJS5GYW756	Yellow	587	White Diffused	3	120	2.1	20
		Yellow Green	570	White Diffused	2	120	1.9	20

2 x 5 x 7 mm

Rectangular Dual Color

L-419 Series

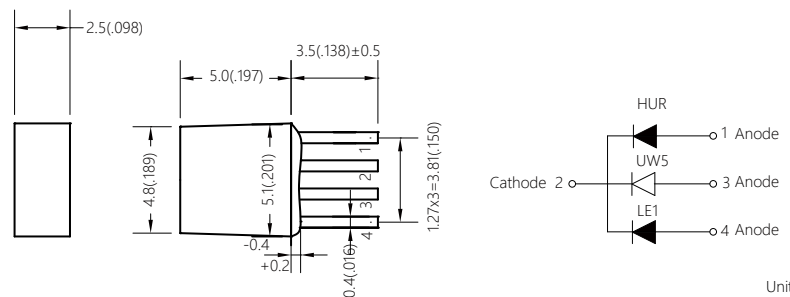





Part No.	Ref. PN	Emitting Color	Wavelength λ_d (nm)/ CIE (x.y)	Resin Type	Typ. Luminous Intensity I_v (mcd)	Viewing Angle (deg.)	Typ. Forward Voltage V_F (V)	Forward Current I_F (mA)
L-419EGW	LJS5EGW751	 Super Red	628	White Diffused	8	120	1.9	20
		 Yellow Green	570	White Diffused	6	120	1.9	20
L-419GYW	LJS5GYW752	 Yellow	587	White Diffused	5	120	2.1	20
		 Yellow Green	570	White Diffused	6	120	1.9	20
L-419GYW-CA1	LJS5GYW753	 Yellow	587	White Diffused	10	120	2.1	20
		 Yellow Green	570	White Diffused	15	120	1.9	20

2 x 5 x 7 mm

Rectangular RGB

L-4V9 Series

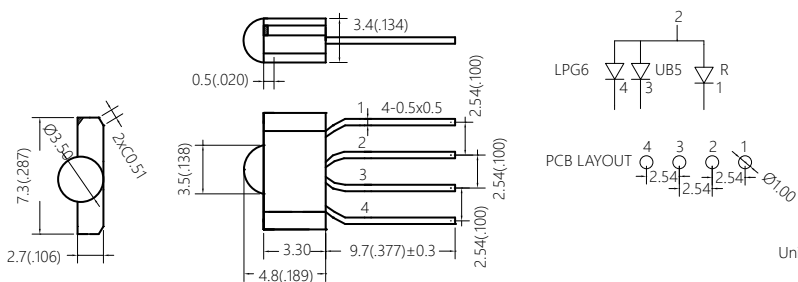


Part No.	Ref. PN	Emitting Color	Wavelength λ_d (nm)/ CIE (x.y)	Resin Type	Typ. Luminous Intensity I_v (mcd)	Viewing Angle (deg.)	Typ. Forward Voltage V_F (V)	Forward Current I_F (mA)
L4V9RGB	LRS4HURLE1UW5C307G	 Super Red	628	Water Clear	80	100	1.9	20
		 Orange	605	Water Clear	100	100	1.9	20
		 White	(0.26,0.24)	Water Clear	760	100	3	20

3.5 x 4.8 x 7.3 mm

Rectangular RGB

L-889 Series



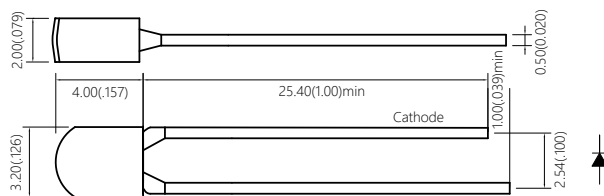
Unit : mm

Part No.	Ref. PN	Emitting Color	Wavelength λ_d (nm)/ CIE (x,y)	Resin Type	Typ. Luminous Intensity I_v (mcd)	Viewing Angle (deg.)	Typ. Forward Voltage V_f (V)	Forward Current I_f (mA)
L889RGBW	LQS8RGBW538G	Super Red	628	White Diffused	40	40	1.8	5
		Green	530	White Diffused	250	40	2.7	5
		Blue	470	White Diffused	40	40	2.7	5

2.0 x 3.2 x 4.0 mm

Tombstone

L-6X4 Series



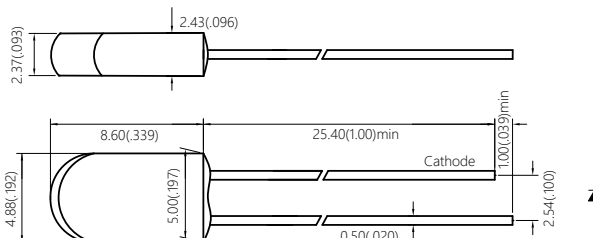
Unit : mm

Part No.	Ref. PN	Emitting Color	Wavelength λ_d (nm)/ CIE (x,y)	Resin Type	Typ. Luminous Intensity I_v (mcd)	Viewing Angle (deg.)	Typ. Forward Voltage V_f (V)	Forward Current I_f (mA)
L-6X4GD	LJS4GD840	Yellow Green	570	Green Diffused	15	150	1.9	20
L-6X4YD	LJS4YD839	Yellow	587	Yellow Diffused	10	150	2.1	20
L-6X4AD	LJS4AD841	Orange	605	Orange Diffused	12	150	2.1	20
L-6X4ED	LJS4ED838	Super Red	628	Red Diffused	18	150	1.9	20
L-6X4SRD	LJS4SRD837	Hyper Red	640	Red Diffused	36	150	1.9	20

2.4 x 4.9 x 8.6 mm

Tombstone

L-614 Series



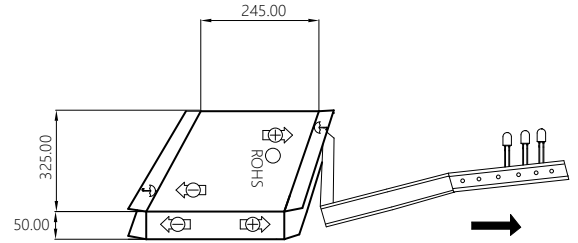
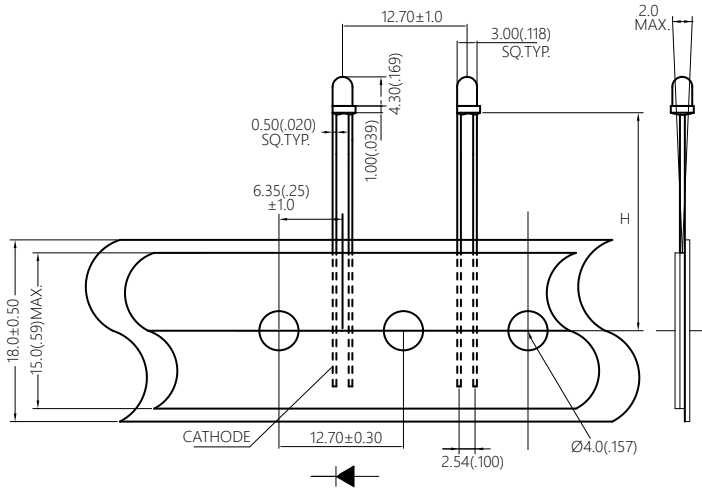
Unit : mm

Part No.	Ref. PN	Emitting Color	Wavelength λ_d (nm)/ CIE (x,y)	Resin Type	Typ. Luminous Intensity I_v (mcd)	Viewing Angle (deg.)	Typ. Forward Voltage V_f (V)	Forward Current I_f (mA)
L-614GD	LJS5GD862	Yellow Green	570	Green Diffused	3	170	1.9	20
L-614YD	LJS5YD861	Yellow	587	Yellow Diffused	2	170	2.1	20
L-614AD	LJS5AD863	Orange	605	Orange Diffused	5	170	2.1	20
L-614ED	LJS5ED860	Super Red	628	Red Diffused	4	170	1.9	20
L-614SRD	LJS5SRD859	Hyper Red	640	Red Diffused	20	170	1.9	20

3 mm

Taping Lamp

L-314-TBSH Series



Unit : mm

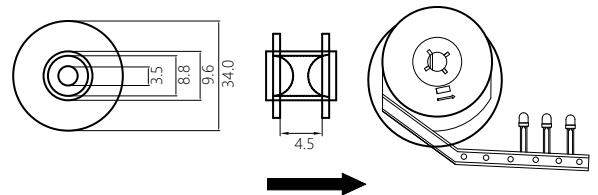
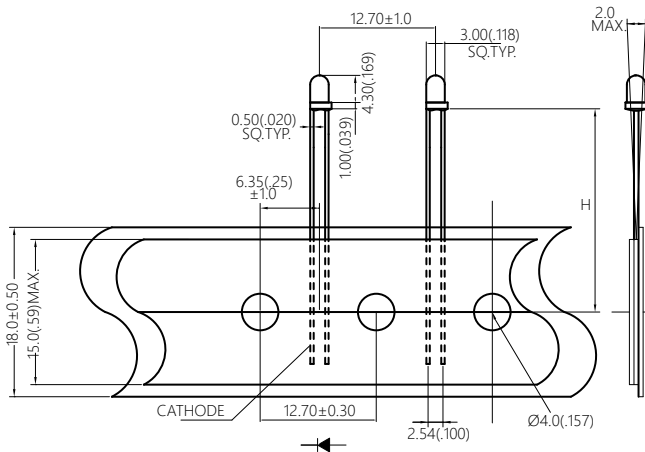
Part NO	H
L-314XX-TBS 180	18.0mm
L-314XX-TBS 190	19.0mm
L-314XX-TBS 200	20.0mm
L-314XX-TBS 220	22.0mm
L-314XX-TBS 240	24.0mm

Part No.	Ref. PN	Emitting Color	Wavelength λ_d (nm)/ CIE (x,y)	Resin Type	Typ. Luminous Intensity I_v (mcd)	Viewing Angle (deg.)	Typ. Forward Voltage V_F (V)	Forward Current I_F (mA)
L-314UB5C-TBSH	LJR3UB5C738	Blue	465	Water Clear	2000	20	3	20
L-314LPG6C-TBSH	LJR3LPG6C983	Green	525	Water Clear	5000	20	3	20
L-314GD-TBSH	LJR3GD742	Yellow Green	570	Green Diffused	30	60	1.9	20
L-314YD-TBSH	LJR3YD741	Yellow	587	Yellow Diffused	20	60	2.1	20
L-314ED-TBSH	LJR3ED740	Super Red	628	Red Diffused	30	60	1.9	20

3 mm

Taping Lamp

L-314-TRSH Series



Unit : mm

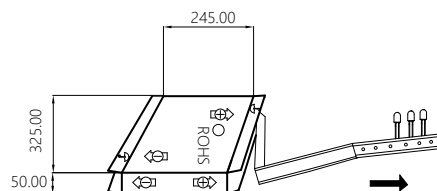
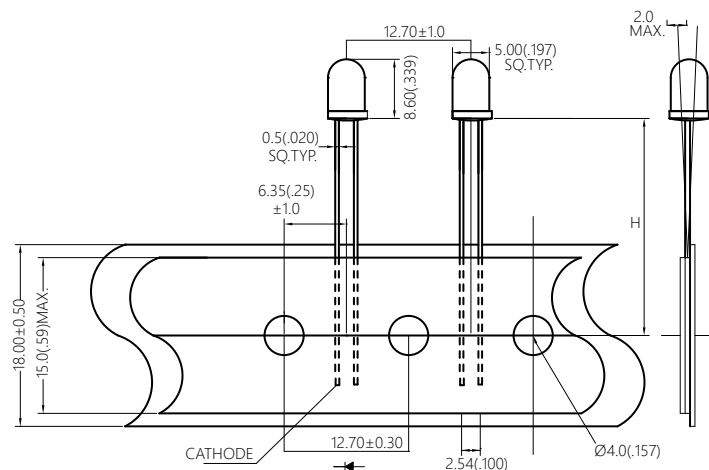
Part NO	H
L-314XX-TRS 180	18.0mm
L-314XX-TRS 190	19.0mm
L-314XX-TRS 200	20.0mm
L-314XX-TRS 220	22.0mm
L-314XX-TRS 240	24.0mm

Part No.	Ref. PN	Emitting Color	Wavelength λ_d (nm)/ CIE (x,y)	Resin Type	Typ. Luminous Intensity I_v (mcd)	Viewing Angle (deg.)	Typ. Forward Voltage V_F (V)	Forward Current I_F (mA)
L-314UB5C-TRSH	LJR3UB5C733	Blue	465	Water Clear	2000	20	3	20
L-314LPG6C-TRSH	LJR3LPG6C738	Green	525	Water Clear	5000	20	3	20
L-314GD-TRSH	LJR3GD737	Yellow Green	570	Green Diffused	30	60	1.9	20
L-314YD-TRSH	LJR3YD736	Yellow	587	Yellow Diffused	20	60	2.1	20
L-314ED-TRSH	LJR3ED735	Super Red	628	Red Diffused	30	60	1.9	20

5 mm

Taping Lamp

L-513-TBSH Series



Unit : mm

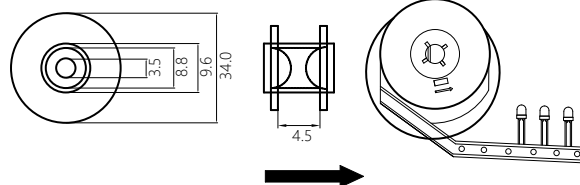
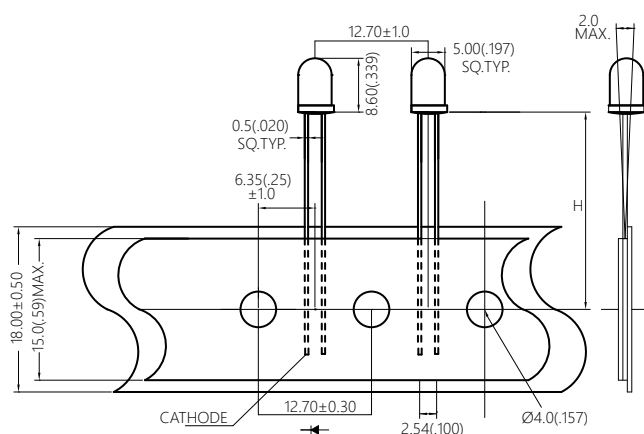
Part NO	H
L-513XX-TBS 180	18.0mm
L-513XX-TBS 190	19.0mm
L-513XX-TBS 200	20.0mm
L-513XX-TBS 220	22.0mm
L-513XX-TBS 240	24.0mm

Part No.	Ref. PN	Emitting Color	Wavelength λ_d (nm)/ CIE (x.y)	Resin Type	Typ. Luminous Intensity I_v (mcd)	Viewing Angle (deg.)	Typ. Forward Voltage V_F (V)	Forward Current I_F (mA)
L-513GD-TBSH	LJR5GD731	Yellow Green	570	Green Diffused	20	110	2	20
L-513YD-TBSH	LJR5YD730	Yellow	587	Yellow Diffused	15	110	2.1	20
L-513ED-E610-TBSH	LJR5AD732	Orange	605	Orange Diffused	20	110	2.1	20
L-513ED-TBSH	LJR5ED729	Super Red	628	Red Diffused	20	110	2.1	20
L-513SRD-TBSH	LJR5SRD728	Hyper Red	640	Red Diffused	40	110	1.8	20

5 mm

Taping Lamp

L-513-TRSH Series



Unit : mm

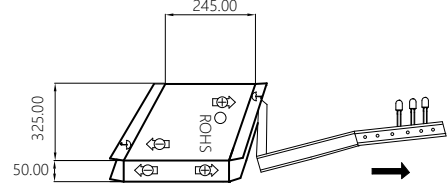
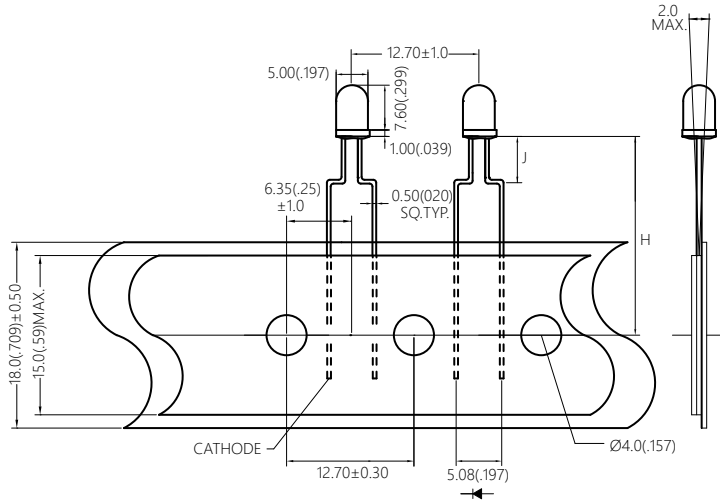
Part NO	H
L-513XX-TRS 180	18.0mm
L-513XX-TRS 190	19.0mm
L-513XX-TRS 200	20.0mm
L-513XX-TRS 220	22.0mm
L-513XX-TRS 240	24.0mm

Part No.	Ref. PN	Emitting Color	Wavelength λ_d (nm)/ CIE (x.y)	Resin Type	Typ. Luminous Intensity I_v (mcd)	Viewing Angle (deg.)	Typ. Forward Voltage V_F (V)	Forward Current I_F (mA)
L-513GD-TRSH	LJR5GD726	Yellow Green	570	Green Diffused	28	60	1.9	20
L-513YD-TRSH	LJR5YD725	Yellow	587	Yellow Diffused	35	60	2.1	20
L-513AD-TRSH	LJR5AD727	Orange	605	Orange Diffused	15	60	2.1	20
L-513ED-TRSH	LJR5ED724	Super Red	628	Red Diffused	30	60	1.9	20
L-513SRD-TRSH	LJR5SRD723	Hyper Red	640	Red Diffused	40	60	1.9	20

5 mm

Taping Lamp

L-513-TBFHJ Series



Unit : mm

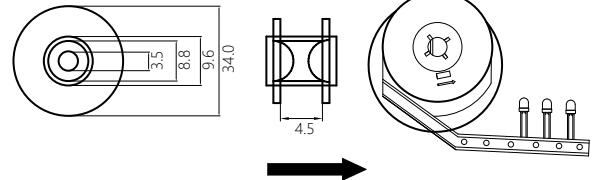
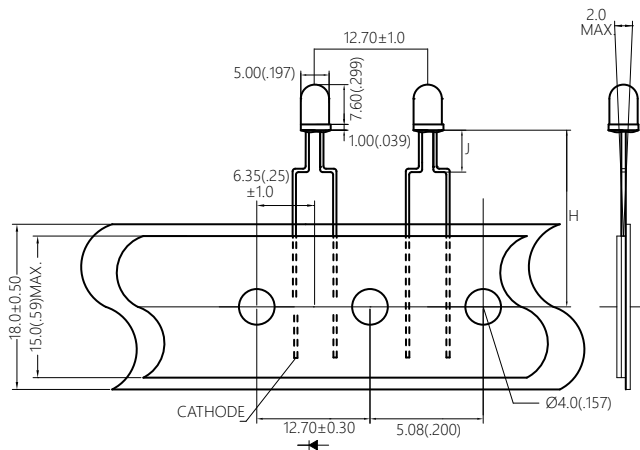
Part NO	H	J
L-513XX-TBF 180A	18.0mm	3.0mm
L-513XX-TBF 190B	19.0mm	4.0mm
L-513XX-TBF 200C	20.0mm	5.0mm
L-513XX-TBF 220D	22.0mm	6.0mm
L-513XX-TBF 240E	24.0mm	7.0mm

Part No.	Ref. PN	Emitting Color	Wavelength λ_d (nm)/ CIE (x,y)	Resin Type	Typ. Luminous Intensity I_v (mcd)	Viewing Angle (deg.)	Typ. Forward Voltage V_F (V)	Forward Current I_F (mA)
L-513GD-TBFHJ	LJR5GD721	Yellow Green	570	Green Diffused	28	60	1.9	20
L-513YD-TBFHJ	LJR5YD720	Yellow	587	Yellow Diffused	35	60	2.1	20
L-513AD-TBFHJ	LJR5AD722	Orange	605	Orange Diffused	15	60	2.1	20
L-513ED-TBFHJ	LJR5ED719	Super Red	628	Red Diffused	30	60	1.9	20
L-513SRD-TBFHJ	LJR5SRD718	Hyper Red	640	Red Diffused	40	60	1.8	20

5 mm

Taping Lamp

L-513-TRFHJ Series



Unit : mm

Part NO	H	J
L-513XX-TRF 180A	18.0mm	3.0mm
L-513XX-TRF 190B	19.0mm	4.0mm
L-513XX-TRF 200C	20.0mm	5.0mm
L-513XX-TRF 220D	22.0mm	6.0mm
L-513XX-TRF 240E	24.0mm	7.0mm

Part No.	Ref. PN	Emitting Color	Wavelength λ_d (nm)/ CIE (x,y)	Resin Type	Typ. Luminous Intensity I_v (mcd)	Viewing Angle (deg.)	Typ. Forward Voltage V_F (V)	Forward Current I_F (mA)
L-513GD-TRFHJ	LJR5GD716	Yellow Green	570	Green Diffused	28	60	2	20
L-513YD-TRFHJ	LJR5YD715	Yellow	587	Yellow Diffused	35	60	2.1	20
L-513AD-TRFHJ	LJR5AD717	Orange	605	Orange Diffused	15	60	2.1	20
L-513ED-TRFHJ	LJR5ED714	Super Red	628	Red Diffused	30	60	1.9	20
L-513SRD-TRFHJ	LJR5SRD713	Hyper Red	640	Red Diffused	40	60	1.9	20

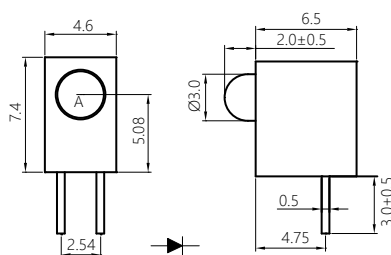
INQUIRY BOARD AND OPERATION



3 mm Lamp

Single Level

Holder LH31 Series



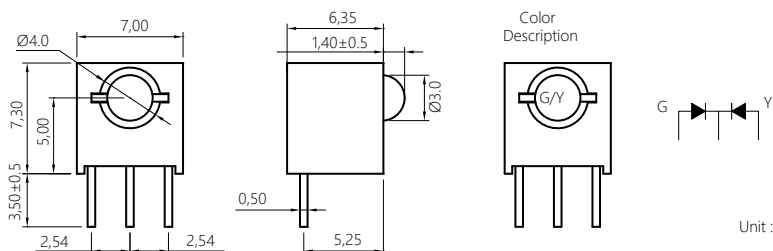
Unit : mm

Part No.	LED Lamp	Emitting Color	Wavelength λ_d (nm)/ CIE (x.y)	Resin Type	Typ. Luminous Intensity I_v (mcd)	Viewing Angle (deg.)	Typ. Forward Voltage V_F (V)	Forward Current I_F (mA)
L-H311005B	A=L-3524GD	Yellow Green	570	Green Diffused	18	60	2	20
L-H311006B	A=L-3524YD	Yellow	587	Yellow Diffused	15	60	2.1	20
L-H311007B	A=L-3524ED	Super Red	628	Red Diffused	18	60	1.9	20
L-H311008B	A=L-3524SRD	Hyper Red	640	Red Diffused	40	60	1.9	20

3 mm Lamp

Single Level

Holder LH31F Series



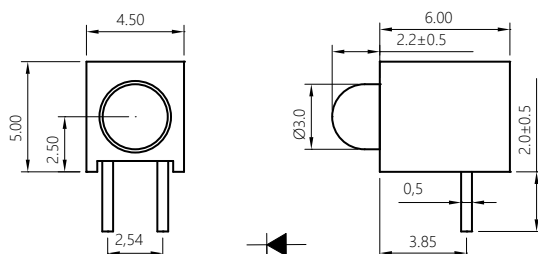
Unit : mm

Part No.	LED Lamp	Emitting Color	Wave Length λ_d (nm)/ CIE (x.y)	Resin Type	Typ. Luminous Intensity I_v (mcd)	Viewing Angle (deg.)	Typ. Forward Voltage V_F (V)	Forward Current I_F (mA)
L-H31F103E	A=L359GYW-AH-SS	Yellow	587	White Diffused	10	80	2.1	20
		Yellow Green	570		12		2	
L-H31F104E-HT2S	A=L359EGW-AH-HT2S	Super Red	628	White Diffused	12	80	1.9	20
		Yellow Green	570		12		2	

3 mm Lamp

Single Level

Holder LH31C Series



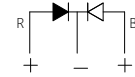
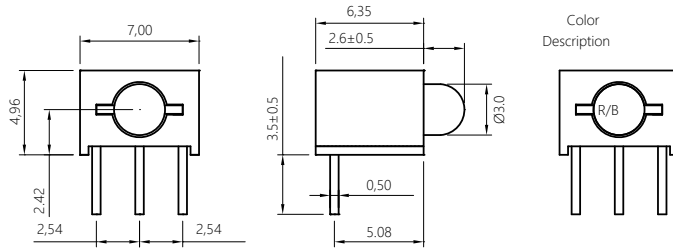
Unit : mm

Part No.	LED Lamp	Emitting Color	Wavelength λ_d (nm)/ CIE (x.y)	Resin Type	Typ. Luminous Intensity I_v (mcd)	Viewing Angle (deg.)	Typ. Forward Voltage V_F (V)	Forward Current I_F (mA)
LH31C015P	A=L-354UB5D	Blue	465	Blue Diffused	200	60	3	20
LH31C016P	A=L-304UP5D	Purple	(0.19,0.06)	Purple Diffused	450	60	3	20
LH31C017P	A=L-357EGW	Super Red	628	White Diffused	12	120	1.9	20
		Yellow Green	570	White Diffused	12		2	

3 mm Lamp

Single Level

Holder LH31R Series



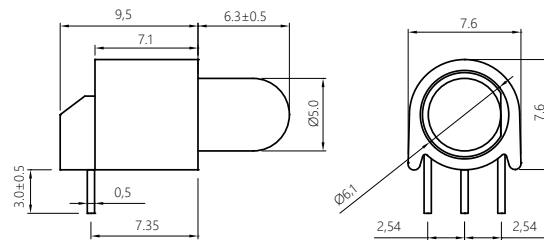
Unit : mm

Part No.	LED Lamp	Emitting Color	Wave Length λ_d (nm)/ CIE (x,y)	Resin Type	Typ. Luminous Intensity I_v (mcd)	Viewing Angle (deg.)	Typ. Forward Voltage V_f (V)	Forward Current I_f (mA)
LH31R120P	A=L-359VEUB5W	Super Red	628	White Diffused	170	120	1.9	20
		Blue	465		110		3	

5 mm Lamp

Single Level

Holder LH511 Series



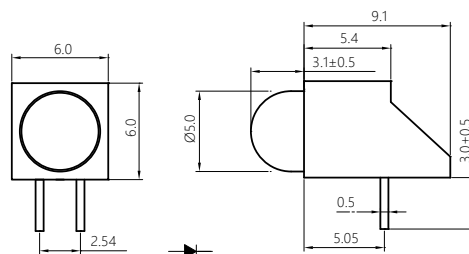
Unit : mm

Part No.	LED Lamp	Emitting Color	Wavelength λ_d (nm)/ CIE (x,y)	Resin Type	Typ. Luminous Intensity I_v (mcd)	Viewing Angle (deg.)	Typ. Forward Voltage V_f (V)	Forward Current I_f (mA)
L-H511007B	A=L-519SRGW	Hyper Red	640	White Diffused	40	60	1.9	20
		Yellow Green	570		20		2	20
L-H511006B	A=L-519EGW	Super Red	628	White Diffused	20	60	1.9	20
		Yellow Green	570		20		2	20
L-H511005B	A=L-519GYW	Yellow	587	White Diffused	15	60	2.1	20
		Yellow Green	570		20		2	20

5 mm Lamp

Single Level

Holder LH512 Series



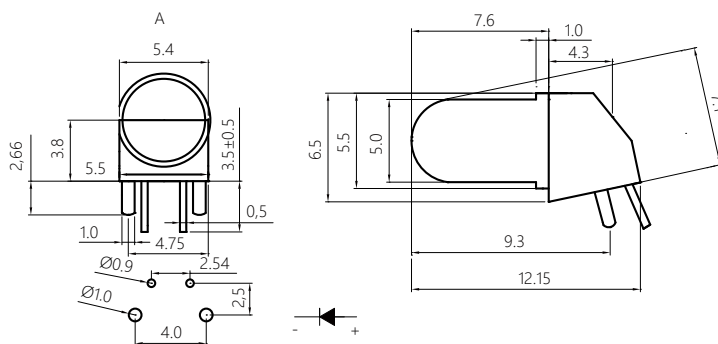
Unit : mm

Part No.	LED Lamp	Emitting Color	Wavelength λ_d (nm)/ CIE (x,y)	Resin Type	Typ. Luminous Intensity I_v (mcd)	Viewing Angle (deg.)	Typ. Forward Voltage V_f (V)	Forward Current I_f (mA)
L-H512005B	A=L-5023GD	Yellow Green	570	Green Diffused	25	60	2	20
L-H512006B	A=L-5023YD	Yellow	587	Yellow Diffused	15	60	2.1	20
L-H512007B	A=L-5023ED	Super Red	628	Red Diffused	25	60	1.9	20
L-H512008B	A=L-5023SRD	Hyper Red	640	Red Diffused	50	60	1.9	20

5 mm Lamp

Single Level

Holder LH51L Series



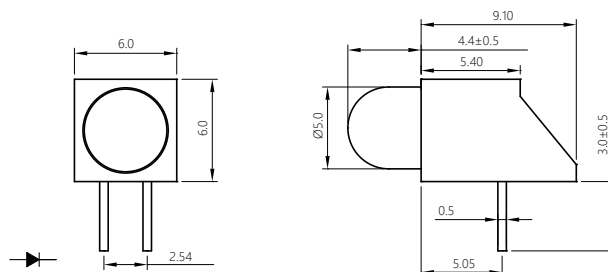
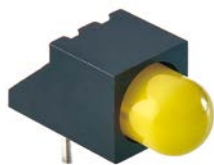
Unit : mm

Part No.	LED Lamp	Emitting Color	Wave Length λ_d (nm)/ CIE (x.y)	Resin Type	Typ. Luminous Intensity I_v (mcd)	Viewing Angle (deg.)	Typ. Forward Voltage V_F (V)	Forward Current I_F (mA)
L-H51L152E	A=LQR5VYC341G	Yellow	587	Water Clear	7000	30	1.9	20
L-H51L151E	A=LQR5UW5C340G	White	(0.28, 0.27)	Water Clear	5700	30	3	20

5 mm Lamp

Single Level

Holder LH513 Series



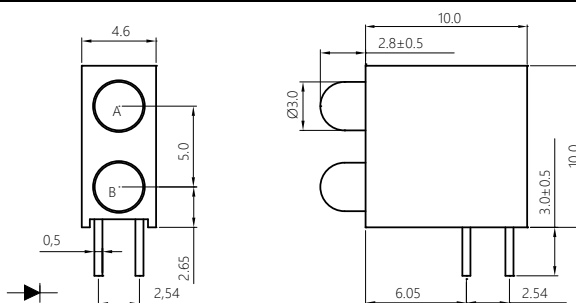
Unit : mm

Part No.	LED Lamp	Emitting Color	Wavelength λ_d (nm)/ CIE (x.y)	Resin Type	Typ. Luminous Intensity I_v (mcd)	Viewing Angle (deg.)	Typ. Forward Voltage V_F (V)	Forward Current I_F (mA)
L-H513005B	A=L-5223GD	Yellow Green	570	Green Diffused	25	60	2	20
L-H513006B	A=L-5223YD	Yellow	587	Yellow Diffused	15	60	2.1	20
L-H513007B	A=L-5223ED	Super Red	628	Red Diffused	25	60	1.9	20
L-H513008B	A=L-5223SRD	Hyper Red	640	Red Diffused	50	60	1.9	20

3 mm Lamp

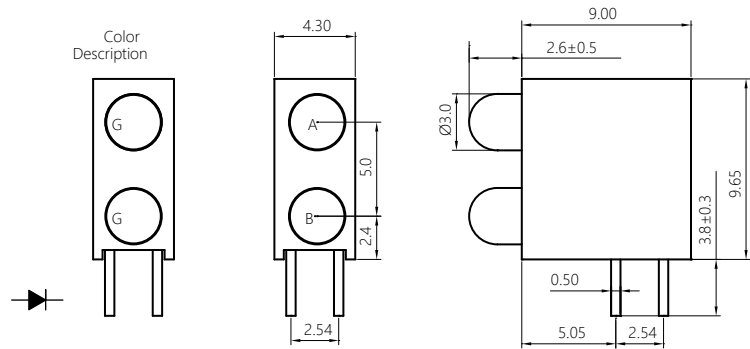
Dual Level

Holder LH322 Series



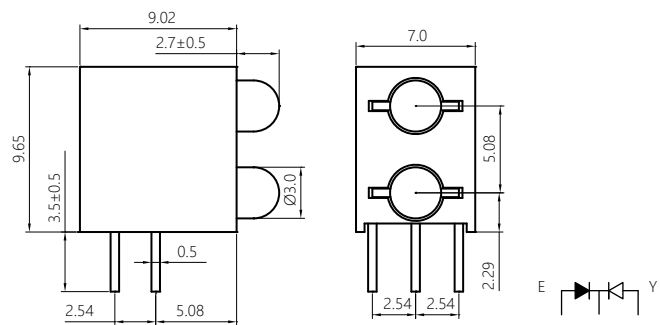
Unit : mm

Part No.	LED Lamp	Emitting Color	Wavelength λ_d (nm)/ CIE (x.y)	Resin Type	Typ. Luminous Intensity I_v (mcd)	Viewing Angle (deg.)	Typ. Forward Voltage V_F (V)	Forward Current I_F (mA)
L-H322005B	A=B= L-3524GD	Yellow Green	570	Green Diffused	18	60	2	20
L-H322006B	A=B= L-3524YD	Yellow	587	Yellow Diffused	15	60	2.1	20
L-H322007B	A=B= L-3524ED	Super Red	628	Red Diffused	18	60	1.9	20
L-H322008B	A=B= L-3524SRD	Hyper Red	640	Red Diffused	40	60	1.9	20



Unit : mm

Part No.	LED Lamp	Emitting Color	Wavelength λ_d (nm)/ CIE (x,y)	Resin Type	Typ. Luminous Intensity I_v (mcd)	Viewing Angle (deg.)	Typ. Forward Voltage V_f (V)	Forward Current I_f (mA)
LH32K039F	A=B= L-3524GD	Yellow Green	570	Green Diffused	18	60	2	20
LH32K046F	A=B= L-3524ED	Super Red	628	Red Diffused	18	60	1.9	20
LH32K047F	A= L-3524ED	Super Red	628	Red Diffused	18	60	1.9	20
	B= L-3524LY1D	Yellow	587	Yellow Diffused	25	60	2.1	20
LH32K048F	A= L-3524ED	Super Red	628	Red Diffused	18	60	1.9	20
	B= L-3524GD	Yellow Green	570	Green Diffused	18	60	2	20



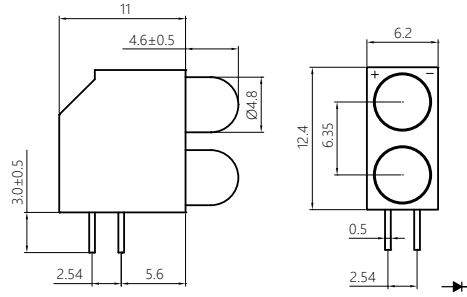
Unit : mm

Part No.	LED Lamp	Emitting Color	Wavelength λ_d (nm)/ CIE (x,y)	Resin Type	Typ. Luminous Intensity I_v (mcd)	Viewing Angle (deg.)	Typ. Forward Voltage V_f (V)	Forward Current I_f (mA)
LH32F023E	A=L359LR1UB5C B= no LED	Super Red	628	Water Clear	100	80	1.9	20
		Blue	465		240		3	
LH32F024E	A=B= L-359EYW	Super Red Yellow	628 587	White Diffused	30 20	80	1.9 1.9	20
H329201E	A=B=L359EGW	Super Red Green	628 570	White Diffused	30 30	80	1.9 2	20

5 mm Lamp

Dual Level

Holder LH523 Series



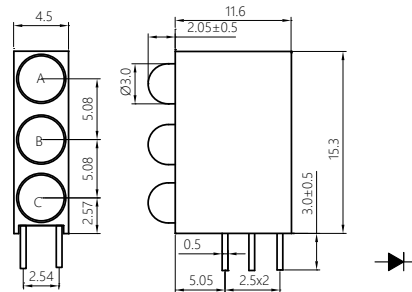
Unit : mm

Part No.	LED Lamp	Emitting Color	Wavelength λ_d (nm)/ CIE (x.y)	Resin Type	Typ. Luminous Intensity I_v (mcd)	Viewing Angle (deg.)	Typ. Forward Voltage V_F (V)	Forward Current I_F (mA)
L-H523005B	A=B= L-523GD	Yellow Green	570	Green Diffused	25	60	2	20
L-H523006B	A=B= L-523YD	Yellow	587	Yellow Diffused	15	60	2.1	20

3 mm Lamp

Tri Level

Holder LH331 Series



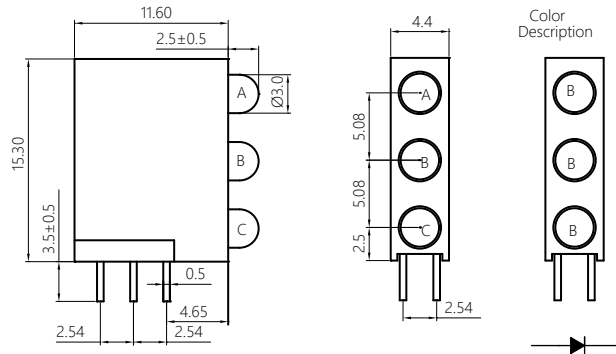
Unit : mm

Part No.	LED Lamp	Emitting Color	Wavelength λ_d (nm)/ CIE (x.y)	Resin Type	Typ. Luminous Intensity I_v (mcd)	Viewing Angle (deg.)	Typ. Forward Voltage V_F (V)	Forward Current I_F (mA)
L-H331005B	A=B=C= L-3541GD	Yellow Green	570	Green Diffused	18	60	2	20
L-H331006B	A=B=C= L-3541YD	Yellow	587	Yellow Diffused	15	60	2.1	20
L-H331007B	A=B=C= L-3541ED	Super Red	628	Red Diffused	18	60	1.9	20
L-H331008B	A=B=C= L-3541SRD	Hyper Red	640	Red Diffused	40	60	1.9	20

3 mm Lamp

Tri Level

Holder LH339 Series



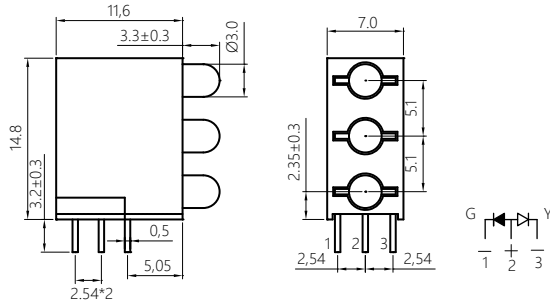
Unit : mm

Part No.	LED Lamp	Emitting Color	Wavelength λ_d (nm)/ CIE (x.y)	Resin Type	Typ. Luminous Intensity I_v (mcd)	Viewing Angle (deg.)	Typ. Forward Voltage V_F (V)	Forward Current I_F (mA)
L-H339106E	A=B=C= L354UB5C	Blue	465	Water Clear	2000	60	3	20
L-H339116E	A=B=C=L-354GC	Yellow Green	570	Water Clear	180	60	2	20
L-H339115E	A=B=C=L-354IC	Hyper Red	640	Water Clear	200	60	1.9	20

3 mm Lamp

Tri Level

Holder LH33C Series



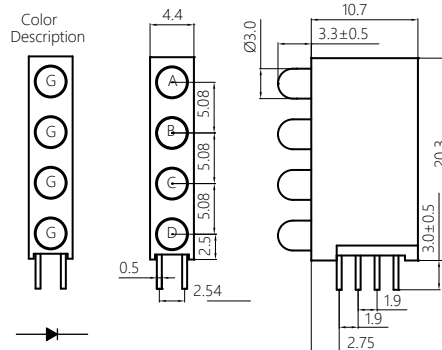
Unit : mm

Part No.	LED Lamp	Emitting Color	Wavelength λ_d (nm)/ CIE (x.y)	Resin Type	Typ. Luminous Intensity I_v (mcd)	Viewing Angle (deg.)	Typ. Forward Voltage V_f (V)	Forward Current I_f (mA)
L-H33C201B	A=B=C=L-359IGW	Hyper Red	640	White Diffused	30	80	1.9	20
		Yellow Green	570		20		2	
L-H33C204D	A=B=C=L-329YGW	Yellow	587	White Diffused	14	80	2.1	20
		Yellow Green	570		20		2	

3 mm Lamp

Quad Level

Holder LH34A Series



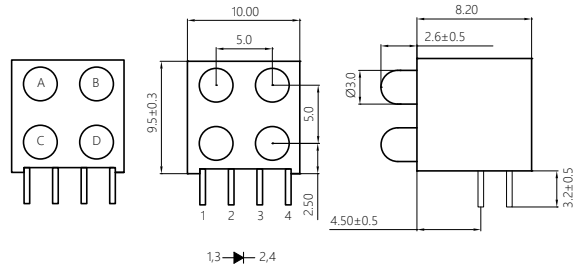
Unit : mm

Part No.	LED Lamp	Emitting Color	Wavelength λ_d (nm)/ CIE (x.y)	Resin Type	Typ. Luminous Intensity I_v (mcd)	Viewing Angle (deg.)	Typ. Forward Voltage V_f (V)	Forward Current I_f (mA)
L-H34A005B	A=B=C=D= L-3541GD	Yellow Green	570	Green Diffused	18	60	2	20
L-H34A006B	A=B=C=D= L-3541YD	Yellow	587	Yellow Diffused	15	60	2.1	20
L-H34A007B	A=B=C=D= L-3541ED	Super Red	628	Red Diffused	18	60	1.9	20
L-H34A008B	A=B=C=D= L-3541SRD	Hyper Red	640	Red Diffused	40	60	1.9	20

3 mm Lamp

Quad Level

Holder LH34D Series



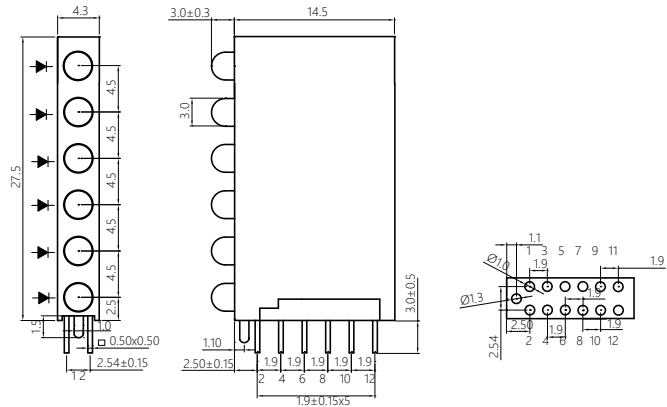
Unit : mm

Part No.	LED Lamp	Emitting Color	Wavelength λ_d (nm)/ CIE (x.y)	Resin Type	Typ. Luminous Intensity I_v (mcd)	Viewing Angle (deg.)	Typ. Forward Voltage V_F (V)	Forward Current I_F (mA)
L-H34D201C	A=B=C=D=L-327GYW	Yellow Green	570	White Diffused	10	80	2	20
		Yellow	587		8		2.1	
L-H34D202C	A=L324YD	Yellow	587	Yellow Diffused	15	80	2.1	20
	B=D=L324GD	Yellow Green	570	Green Diffused	20		2	
	C=L324SRD	Hyper Red	640	Red Diffused	22		1.9	

3 mm Lamp

Hexa Level

Holder LH36A Series



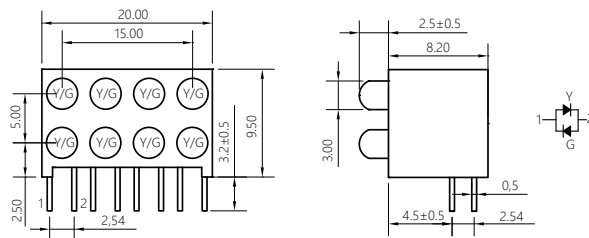
Unit : mm

Part No.	LED Lamp	Emitting Color	Wavelength λ_d (nm)/ CIE (x.y)	Resin Type	Typ. Luminous Intensity I_v (mcd)	Viewing Angle (deg.)	Typ. Forward Voltage V_F (V)	Forward Current I_F (mA)
L-H36A100B	A=L-354GD	Yellow Green	570	Green Diffused	18	60	2	20
L-H36A101B	A=L-354ED	Super Red	628	Red Diffused	18	60	1.9	20
	A=L-354GD	Yellow Green	570	Green Diffused	18	60	2	20

3 mm Lamp

Octa Level

Holder LH385 Series



Unit : mm

Part No.	LED Lamp	Emitting Color	Wavelength λ_d (nm)/ CIE (x.y)	Resin Type	Typ. Luminous Intensity I_v (mcd)	Viewing Angle (deg.)	Typ. Forward Voltage V_F (V)	Forward Current I_F (mA)
L-H385002C	L-327GYW	Yellow Green	565	White Diffused	18	70	2	20
		Yellow	585		15	70	2.2	20

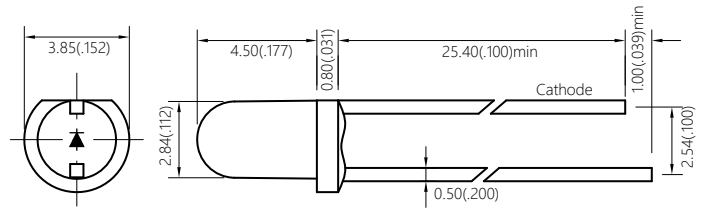


AR Features & Detector

3 mm Infrared Emitting Diode

Through Hole Type

L-31XXIR1X



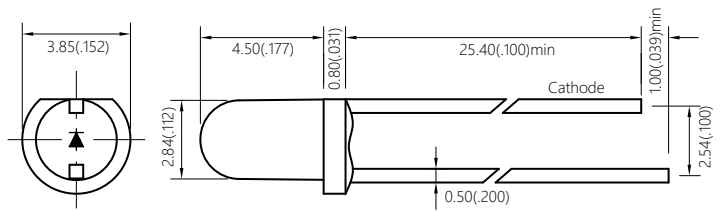
Unit : mm

Part No.	Wavelength λ_d (nm)	Viewing Angle (deg.)	Radiation Intensity I_e (mW/sr)		Typ. Forward Voltage V_F (V)	Forward Current I_F (mA)
			Min.	Typ.		
L-314EIR1C	940	20	7	12	1.2@ $I_F=20$ mA 1.4@ $I_F=100$ mA	20
L-316EIR1C	940	30	6	15	1.2@ $I_F=20$ mA 1.4@ $I_F=100$ mA	20
L-318EIR1C	940	40	6	18	1.2@ $I_F=20$ mA 1.4@ $I_F=100$ mA	20
L-314EIR1BC	940	20	2	6	1.2@ $I_F=20$ mA 1.4@ $I_F=100$ mA	20
L-316EIR1BC	940	30	6	15	1.2@ $I_F=20$ mA 1.4@ $I_F=100$ mA	20
L318EIR1BC	940	40	4	8	1.2@ $I_F=20$ mA 1.4@ $I_F=100$ mA	20

3 mm Infrared Emitting Diode

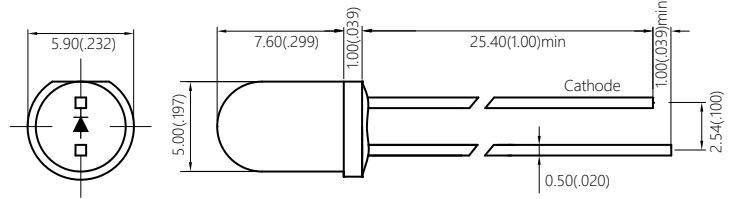
Through Hole Type

L-31XXIR4X



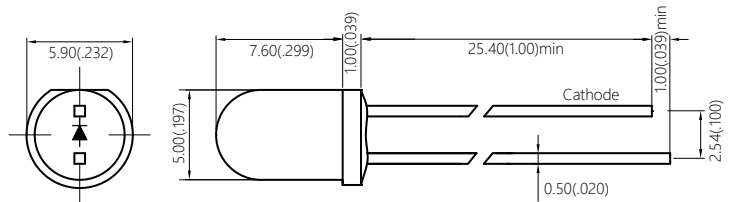
Unit : mm

Part No.	Wavelength λ_d (nm)	Viewing Angle (deg.)	Radiation Intensity I_e (mW/sr)		Typ. Forward Voltage V_F (V)	Forward Current I_F (mA)
			Min.	Typ.		
L-314EIR4C	850	20	20	70	1.4@ $I_F=20$ mA 1.6@ $I_F=100$ mA	20
L-316EIR4C	850	30	8	15	1.4@ $I_F=20$ mA 1.6@ $I_F=100$ mA	20
L-318EIR4C	850	40	20	70	1.4@ $I_F=20$ mA 1.6@ $I_F=100$ mA	20
L-319EIR4C	850	20	10	20	1.4@ $I_F=20$ mA 1.6@ $I_F=100$ mA	20
L-31AEIR4C	850	50	4	10	1.4@ $I_F=20$ mA 1.6@ $I_F=100$ mA	20



Unit : mm

Part No.	Wavelength λ_d (nm)	Viewing Angle (deg.)	Radiation Intensity I_e (mW/sr)		Typ. Forward Voltage V_F (V)	Forward Current I_F (mA)
			Min.	Typ.		
L-514EIR1C	940	20	17	28	1.2@ $I_F=20$ mA 1.4@ $I_F=100$ mA	20
L-516EIR1C	940	30	12	22	1.2@ $I_F=20$ mA 1.4@ $I_F=100$ mA	20
L-518EIR1C	940	40	6	12	1.3@ $I_F=20$ mA 1.5@ $I_F=100$ mA	20
L-51CEIR1C	940	60	4	8	1.3@ $I_F=20$ mA 1.5@ $I_F=100$ mA	20
L-514EIR1BC	940	20	15	30	1.2@ $I_F=20$ mA 1.4@ $I_F=100$ mA	20
L-516EIR1BC	940	30	12	20	1.2@ $I_F=20$ mA 1.4@ $I_F=100$ mA	20
L-518EIR1BC	940	40	8	18	1.2@ $I_F=20$ mA 1.4@ $I_F=100$ mA	20
L-51AEIR1BC	940	50	2	5	1.2@ $I_F=20$ mA 1.4@ $I_F=100$ mA	20



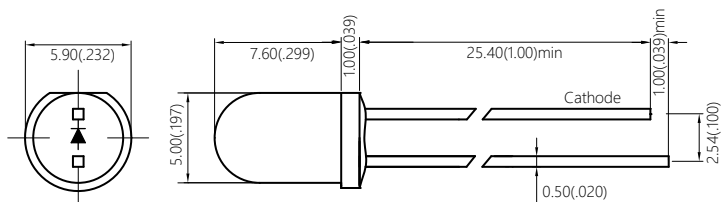
Unit : mm

Part No.	Wavelength λ_d (nm)	Viewing Angle (deg.)	Radiation Intensity I_e (mW/sr)		Typ. Forward Voltage V_F (V)	Forward Current I_F (mA)
			Min.	Typ.		
L-514EIR2C	880	20	17	28	1.3@ $I_F=20$ mA 1.6@ $I_F=100$ mA	20
L-516EIR2C	880	30	2	7	1.3@ $I_F=20$ mA 1.6@ $I_F=100$ mA	20
L-518EIR2C	880	40	20	50	1.3@ $I_F=20$ mA 1.6@ $I_F=100$ mA	20
L-51AEIR2C	880	50	4	10	1.3@ $I_F=20$ mA 1.6@ $I_F=100$ mA	20
L-514EIR2BC	880	20	15	30	1.3@ $I_F=20$ mA 1.6@ $I_F=100$ mA	20
L-516EIR2BC	880	30	15	30	1.3@ $I_F=20$ mA 1.6@ $I_F=100$ mA	20
L-518EIR2BC	880	40	8	21	1.3@ $I_F=20$ mA 1.6@ $I_F=100$ mA	20
L-51AEIR2BC	880	50	4	8	1.3@ $I_F=20$ mA 1.6@ $I_F=100$ mA	20

5 mm Infrared Emitting Diode

Through Hole Type

L-51XXIR3X



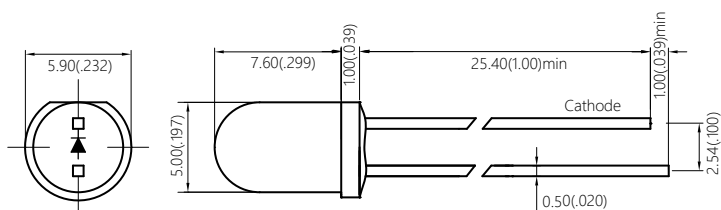
Unit : mm

Part No.	Wavelength λ_d (nm)	Viewing Angle (deg.)	Radiation Intensity I_e (mW/sr)		Typ. Forward Voltage V_F (V)	Forward Current I_F (mA)
			Min.	Typ.		
L-514EIR3C	865	20	30	50	1.4@ $I_F=20$ mA 1.6@ $I_F=100$ mA	20
L-516EIR3C	865	30	12	30	1.4@ $I_F=20$ mA 1.6@ $I_F=100$ mA	20
L-518EIR3C	865	40	10	22	1.4@ $I_F=20$ mA 1.6@ $I_F=100$ mA	20
L-51AEIR3C	865	50	10	20	1.4@ $I_F=20$ mA 1.6@ $I_F=100$ mA	20
L-514EIR3BC	865	20	25	45	1.4@ $I_F=20$ mA 1.6@ $I_F=100$ mA	20
L-516EIR3BC	865	30	12	25	1.4@ $I_F=20$ mA 1.6@ $I_F=100$ mA	20
L-518EIR3BC	865	40	10	20	1.4@ $I_F=20$ mA 1.6@ $I_F=100$ mA	20
L-51AEIR3BC	865	50	10	18	1.4@ $I_F=20$ mA 1.6@ $I_F=100$ mA	20

5 mm Infrared Emitting Diode

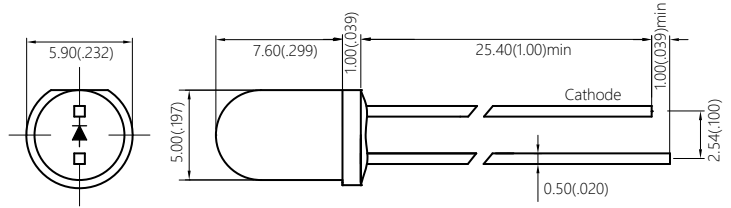
Through Hole Type

L-51XXIR4X



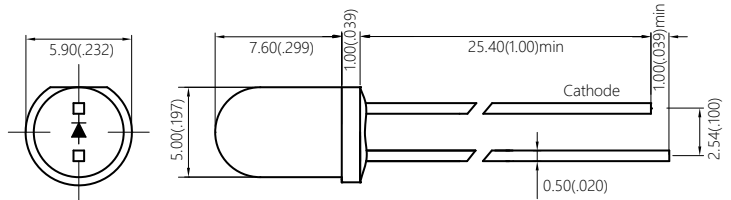
Unit : mm

Part No.	Wavelength λ_d (nm)	Viewing Angle (deg.)	Radiation Intensity I_e (mW/sr)		Typ. Forward Voltage V_F (V)	Forward Current I_F (mA)
			Min.	Typ.		
L-514EIR4C	850	20	25	45	1.4@ $I_F=20$ mA 1.6@ $I_F=100$ mA	20
L-516EIR4C	850	30	14	45	1.4@ $I_F=20$ mA 1.6@ $I_F=100$ mA	20
L-518EIR4C	850	40	10	20	1.4@ $I_F=20$ mA 1.6@ $I_F=100$ mA	20
L-51AEIR4C	850	50	8	25	1.4@ $I_F=20$ mA 1.6@ $I_F=100$ mA	20
L-51CEIR4C	850	60	8	20	1.4@ $I_F=20$ mA 1.6@ $I_F=100$ mA	20
L-514EIR4BC	850	20	20	70	1.4@ $I_F=20$ mA 1.6@ $I_F=100$ mA	20
L-516EIR4BC	850	30	12	40	1.4@ $I_F=20$ mA 1.6@ $I_F=100$ mA	20
L-518EIR4BC	850	40	12	35	1.4@ $I_F=20$ mA 1.6@ $I_F=100$ mA	20
L-51AEIR4BC	850	50	10	25	1.4@ $I_F=20$ mA 1.6@ $I_F=100$ mA	20



Unit : mm

Part No.	Wavelength λ_d (nm)	Viewing Angle (deg.)	Radiation Intensity I_e (mW/sr)		Typ. Forward Voltage V_F (V)	Forward Current I_F (mA)
			Min.	Typ.		
L-514GIR4C	850	20	60	175	1.4@ $I_F=70$ mA 1.5@ $I_F=100$ mA	100
L-516GIR4C	850	30	30	80	1.4@ $I_F=70$ mA 1.5@ $I_F=100$ mA	100
L-518GIR4C	850	40	60	85	1.4@ $I_F=70$ mA 1.5@ $I_F=100$ mA	100
L-51AGIR4C	850	50	28	40	1.4@ $I_F=70$ mA 1.5@ $I_F=100$ mA	100
L-514GIR4BC	850	20	127	170	1.4@ $I_F=70$ mA 1.5@ $I_F=100$ mA	100
L-516GIR4BC	850	30	112	160	1.4@ $I_F=70$ mA 1.5@ $I_F=100$ mA	100
L-518GIR4BC	850	40	55	85	1.4@ $I_F=70$ mA 1.5@ $I_F=100$ mA	100



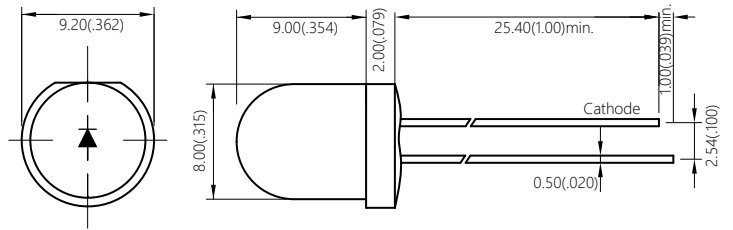
Unit : mm

Part No.	Wavelength λ_d (nm)	Viewing Angle (deg.)	Radiation Intensity I_e (mW/sr)		Typ. Forward Voltage V_F (V)	Forward Current I_F (mA)
			Min.	Typ.		
L5PGEIR4C	850	65	4	8	1.2	20
L5PGEIR1C	940	80	2	4	1.2	20

8 mm Infrared Emitting Diode

Through Hole Type

L-81XXIR4X



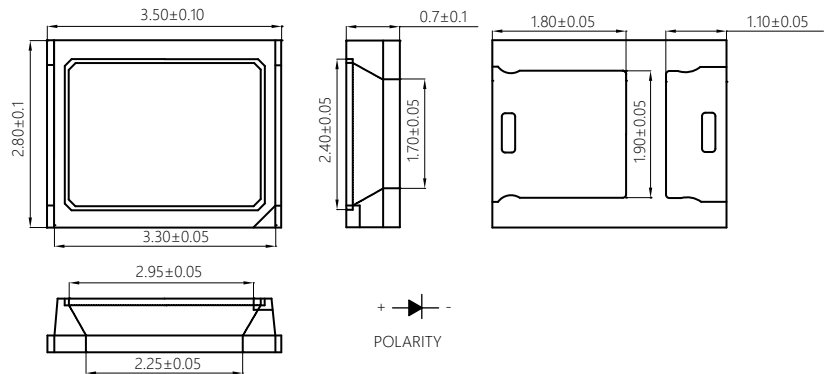
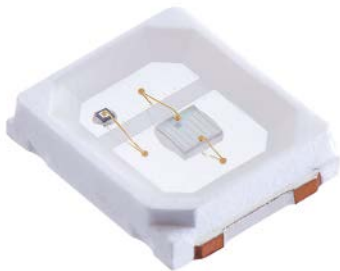
Unit : mm

Part No.	Wavelength λ_d (nm)	Viewing Angle (deg.)	Radiation Intensity I_e (mW/sr)		Typ. Forward Voltage V_F (V)	Forward Current I_F (mA)
			Min.	Typ.		
L-814EIR4C	850	20	32	50	1.4@ $I_F=20$ mA 1.6@ $I_F=100$ mA	20
L-816EIR4C	850	30	20	35	1.4@ $I_F=20$ mA 1.6@ $I_F=100$ mA	20
L-818EIR4C	850	40	15	25	1.4@ $I_F=20$ mA 1.6@ $I_F=100$ mA	20
L-81AEIR4C	850	50	8	14	1.4@ $I_F=20$ mA 1.6@ $I_F=100$ mA	20

2835 IR

IR Emitter PLCC

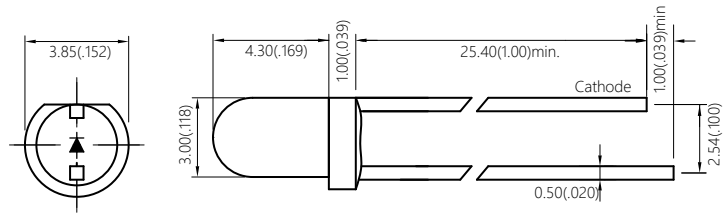
LT2835 IR Series



2.8 × 3.5 × 0.7mm

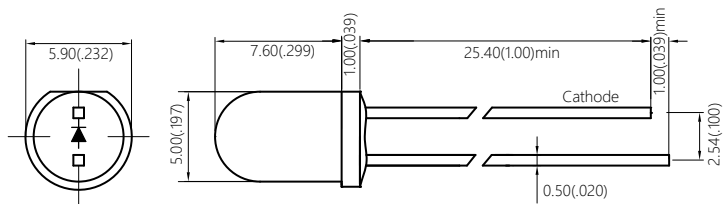
Unit : mm

Part No.	Wavelength λ_d (nm)	Lens Type	Viewing Angle (deg.)	Typ. Radiation Intensity I_e (mW/sr)	Forward Voltage Typ. V_F (V)	Forward Current I_F (mA)
L-T2835IR4CT-20	850	Water Clear	120	250	1.6	60
L-T2835IR4CT-24	850	Water Clear	120	350	1.9	60



Unit : mm

Part No.	Min. Collector-Emitter Breakdown Voltage BV_{CEO} (V) @ $I_C=100\mu A$; $E_o=0$ mW/cm ²	Min. Emitter-Collector Breakdown Voltage BV_{ECO} (V) @ $I_E=100\mu A$; $E_o=0$ mW/cm ²	Max. Collector Dark Current I_{CEO} (nA) @ $V_{CE}=10V$; $E_o=0$ mW/cm ²	Max. Collector-Emitter Saturation Voltage $V_{CE(S)}$ (V) @ $I_C=2mA$; $E_o=0.5$ mW/cm ²	Typ. On State Collector Current I_C (mA) @ $V_{CE}=5V$; $E_o=0.1$ mW/cm ²	Spectral Sensitivity Wavelength λ_p (nm)		
						Min.	Typ.	Max.
L-31ROPT1C	30	5	100	0.4	4	400		1050
L-31ROPT1D1	30	5	100	0.4	1.2	900	940	
L-31ROPT1D2	30	5	100	0.4	2	800	870	

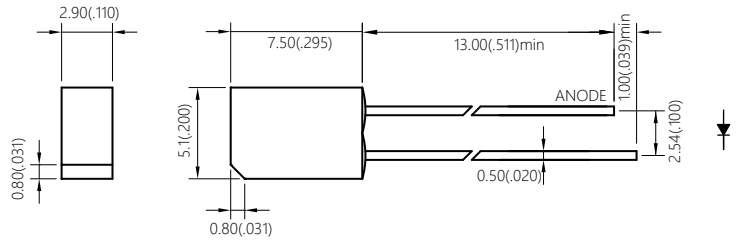
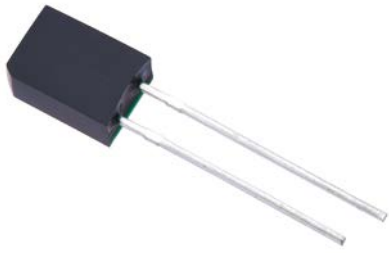


Unit : mm

Part No.	Min. Collector-Emitter Breakdown Voltage BV_{CEO} (V) @ $I_C=100\mu A$; $E_o=0$ mW/cm ²	Min. Emitter-Collector Breakdown Voltage BV_{ECO} (V) @ $I_E=100\mu A$; $E_o=0$ mW/cm ²	Max. Collector Dark Current I_{CEO} (nA) @ $V_{CE}=10V$; $E_o=0$ mW/cm ²	Max. Collector-Emitter Saturation Voltage $V_{CE(S)}$ (V) @ $I_C=2mA$; $E_o=0.5$ mW/cm ²	Typ. On State Collector Current I_C (mA) @ $V_{CE}=5V$; $E_o=0.1$ mW/cm ²	Spectral Sensitivity Wavelength λ_p (nm)		
						Min.	Typ.	Max.
L-51ROPT1C	30	5	100	0.4	2	400		1050
L-51ROPT1D1	30	5	100	0.4	1.2	900	940	
L-51ROPT1D2	30	5	100	0.4	1.2	800	870	

Photodiode

L-SB1R9PD1X

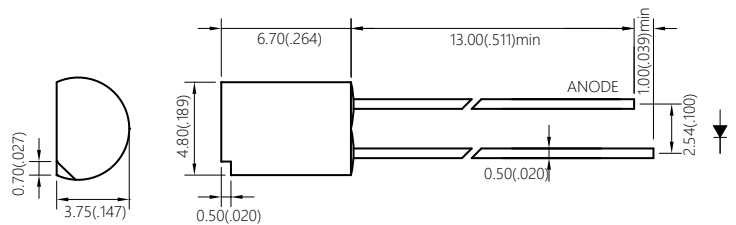


Unit : mm

Part No.	Max. Reverse Dark Current I_D (nA) @ $V_R=10V$; $E_e=0$ mW/cm ²	Min. Reverse Voltage V(BR)R (V) @ $I_R=100\mu A$; $E_e=0$ mW/cm ²	Typ. Open Circuit Voltage V_{OC} (V) @ $E_e=5$ mW/cm ²	Typ. Light Current I_L (μA) @ $V_R=5V$; $E_e=5$ mW/cm ²	Total Capacitance C_T (PF) @ $f=1$ mhz; $V_R=5V$; $E_e=0$ mW/cm ²	Spectral Sensitivity Wavelength λ_p (nm)		
						Min.	Typ.	Max.
L-SB1R9PD1C	30	33	390	40	18	400		1050
L-SB1R9PD1D1	30	33	390	40	18	900	940	
L-SB1R9PD1D2	30	33	390	40	18	800	870	

Photodiode

L-SC1R9PD1X



Unit : mm

Part No.	Max. Reverse Dark Current I_D (nA) @ $V_R=10V$; $E_e=0$ mW/cm ²	Min. Reverse Voltage V(BR)R (V) @ $I_R=100\mu A$; $E_e=0$ mW/cm ²	Typ. Open Circuit Voltage V_{OC} (V) @ $E_e=5$ mW/cm ²	Typ. Light Current I_L (μA) @ $V_R=5V$; $E_e=5$ mW/cm ²	Total Capacitance C_T (PF) @ $f=1$ mhz; $V_R=5V$; $E_e=0$ mW/cm ²	Spectral Sensitivity Wavelength λ_p (nm)		
						Min.	Typ.	Max.
L-SC1R9PD1C	30	33	390	40	18	400		1050
L-SC1R9PD1D1	30	33	390	40	18	900	940	
L-SC1R9PD1D2	30	33	390	40	18	800	870	

HEADQUARTERS

光鼎電子股份有限公司

Para Light Electronics Co., Ltd.

23586 新北市中和區建康路 8 號 11 樓

11F, No. 8, Jiankang Rd., Zhonghe Dist.

New Taipei City, 23586 Taiwan

☎ +886-2-2225-3733

☎ +886-2-2225-4800

✉ para@para.com.tw

www.paralighttaiwan.com

FACTORY

连云港光鼎电子有限公司

Para Light Lianyungang Electronics Co., Ltd.

江苏省连云港灌南经济开发区威海路8号

No.8, Wei Hai Rd., Guannan Economic Development Zone

Lianyungang City, Jiansu Province, 222500 China

☎ +86-518-8369-2888

☎ +86-518-8369-2899

南京华鼎电子有限公司

Para Light Nanjing Electronics Co., Ltd.

江苏省南京市江宁区汤山街道汤泉西路1号

No.1, Tangquan W. Rd., Tangshan Ave., Jianning Dist.

Nanjing City, Jiansu Province, 211131 China

☎ +86-25-8410-7685

☎ +86-25-8410-7684



www.paralighttaiwan.com

SALES OFFICES

AMERICA

Para Light Corp. USA

515 Spanish Lane, Suite # A&B, Walnut, CA 91789, USA

Toll Free +1 (877) 377-PARA

☎ +1 (909) 468-4866

✉ sales@paralightusa.com

www.paralightusa.com

CHINA 華南區 South China

光鼎深圳實業有限公司

PARA LIGHT(Shenzhen) Electronics Co., Ltd.

深圳市龙华区龙观东路57号尚美时代大厦1310-1312室

Room 1310-1312, Shangmei Times Building,

No.57 Longguan East Road, Longhua Dist.

Shenzhen City, CHINA

☎ +86-189-2747-1103

✉ eddy@paralight.com.cn

CHINA 華東區 East China

蘇州光鼎電子有限公司

PARA LIGHT (SUZHOU) Electronics Co., Ltd.

苏州新区狮山路199号新地中心2104室

Room 2104, No.199 Xindi Center Building, Shishan Road

Suzhou City, Jiansu Province, 215000 CHINA

☎ +86-185-5224-7780

☎ +86-512-6809-7669

✉ susie@parahk.com

CHINA 華北區 North China

青島辦事處 Qingdao Sales Office

青島市山东路130号嘉合新兴1号楼2单元2603

2603, Unit 2, Building 1, Jiahe Xinxing,

No. 130, Shandong Road, Qingdao City,

Shandong Province, China

☎ +86-0532-8569-2571

☎ +86-186-2642-9477

✉ tianjin@paralight.com.cn

TAIWAN / ASIA / EUROPE / MID EAST

光鼎電子股份有限公司

Para Light Electronics Co., LTD.

23586 新北市中和區建康路 8 號 11 樓

11F, No. 8, Jiankang Rd., Zhonghe Dist.

New Taipei City, 23586 Taiwan

☎ +886-2-2225-3733

☎ +886-2-2225-4800


✉ para@para.com.tw


www.paralighttaiwan.com



光鼎電子股份有限公司

PARA LIGHT ELECTRONICS CO., LTD.

 +886-2-2225-3733

 +886-2-2225-4800

 para@para.com.tw



23586 新北市中和區建康路 8 號11樓
11F, No. 8, Jiankang Rd., Zhonghe Dist.,
New Taipei City 23586, Taiwan

www.paralighttaiwan.com